



INNOVATE / COOPERATION / WIN-WIN

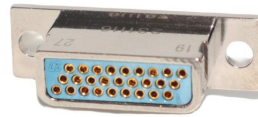


**J14 SERIES
RECTANGLE ELECTRICAL CONNECTOR
PRODUCT INTRODUCTION**

www.Donconn.com

George@donconn.com

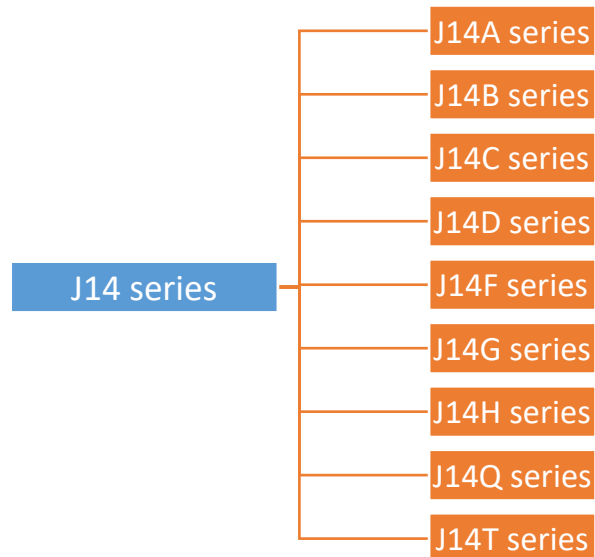
The J14 series connectors feature a dual locking mechanism (J14A, B, C, D, F, G, H, Q, T) that combines quick operation with reliable connection security. These rectangular connectors are designed for welding termination and are widely used in strategic weapon systems, aerospace satellite systems, launch vehicles, ground support systems, as well as various electronic instruments, meters, and cable connections.



Features

- ✓ Low frequency electrical connector.
- ✓ The double safety locking mechanism. It is a combination of a quick and reliable operation and a reliable connection type in the rectangular electrical connector.
- ✓ Round corner anti-insert design, small size, light weight

✓ Type of J14 Series



J14Q series

Description

J14Q series connector belongs to low frequency electric connector

- Screw locking mechanism
- round-angle anti-reverse insert design
- Cable tail cover has two ways of outlet, straight outlet and 90° outlet
- Small size, light weight
- End connector form is welded

Main technical performance

Rated current: 3A

Contact resistance: Before life test: $\leq 6\text{m}\Omega$
After life test: $\leq 10\text{m}\Omega$

Insulation resistance:

Under standard conditions: $\geq 2000\text{M}\Omega$

Under humid conditions: $\geq 20\text{M}\Omega$

Voltage resistance:

Under standard conditions: 500V

Under low pressure conditions: 250V

Under wet conditions: 250V

Mechanical life: 500 cycles

Performance specification

Temperature rating: $-55\text{ }^{\circ}\text{C} \sim +125\text{ }^{\circ}\text{C}$

Relative humidity: at $40\text{ }^{\circ}\text{C} \pm 2\text{ }^{\circ}\text{C}$, 90% ~ 95%

Vibration: at 10 Hz~2000 Hz, acceleration 196 m/s^2

Shock: 980 m/s^2

Atmospheric pressure: $101.3\text{ KPa} \sim 1.33\text{ KPa}$

Acceleration: 780 m/s^2 .

Order mark

	J14	Q	-38	T	K	B	L
Basic series							
Number of modification							
Number of contact							
See below							
Type of plug and receptacle							
T = Plug							
Z = Receptacle							
Type of contact							
J = Pin							
K = Socket							
Style of mounting							
B = Panel							
L = Cable							
Outlet mode							
L- 90° outlet							
L1-direct outlet							

Matching Condition

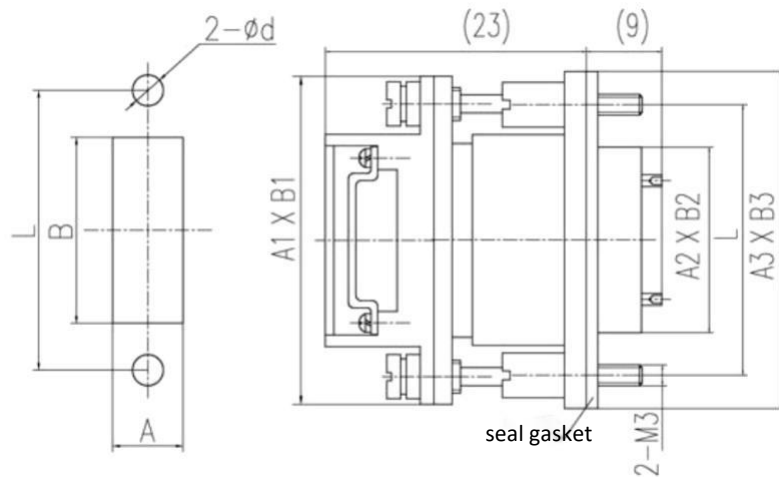
A pin plug and a socket receptacle (or a socket plug and a pin receptacle) with the same series number and the same number of contacts can be used together. For example, J14Q-51TJL1 and J14Q-51ZKB, J14Q-9TKL and J14Q-9ZJL can be used together.

Contact layout

Contact number	Pin receptacle	Socket receptacle
9		
15		
26		
38		
51		
62		
74		

J14Q Shell Size

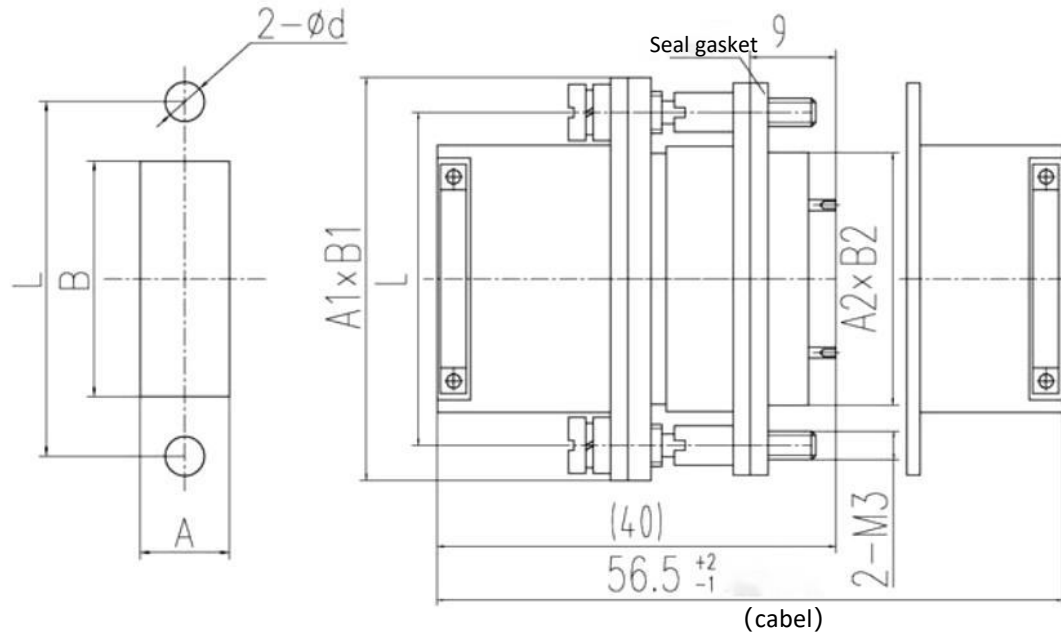
Cable cover 90° outlet plug with panel fixed receptacle



Type		Contact	A1	B1	A2	B2	A3	B3	L±0.1	A ^{+0.4} _{+0.2}	B ^{+0.4} _{+0.2}	d
J14Q-n	TKL	9	28	20	15.2	6.6	28	12	22	6.6	15.2	3.4
		15	34	20	21.2	6.6	34	12	28	6.6	21.2	3.4
		26	41	24	25	10	41	16	34	10	25	3.4
	TJL	38	49	24	33	10	49	16	42	10	33	3.4
		ZKB	51	59	24	43	10	59	16	52	10	43
	ZJBZJ1B	62	65	24	49	10	65	16	58	10	49	3.4
		74	61	26	45	12	61	18	54	12	45	3.4

J14Q Shell Size

Straight outlet plug and panel receptacle, cable receptacle



Type		contact	A1	B1	A2	B2	L±0.1	A ^{+0.4} _{+0.2}	B ^{+0.4} _{+0.2}	d
J14Q-n		9	28	12	15.2	6.6	22	6.6	15.2	3.4
	TKL1	15	34	12	21.2	6.6	28	6.6	21.2	3.4
	TJL1	26	41	16	25	10	34	10	25	3.4
	ZKB	38	49	16	33	10	42	10	33	3.4
	ZJB	51	59	16	43	10	52	10	43	3.4
	ZKL	62	65	16	49	10	58	10	49	3.4
	ZJL	74	61	18	45	12	54	12	45	3.4