



INNOVATE / COOPERATION / WIN-WIN

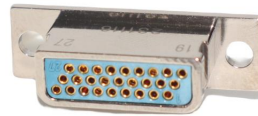


**J14 SERIES  
RECTANGLE ELECTRICAL CONNECTOR  
PRODUCT INTRODUCTION**

[www.Donconn.com](http://www.Donconn.com)

[George@donconn.com](mailto:George@donconn.com)

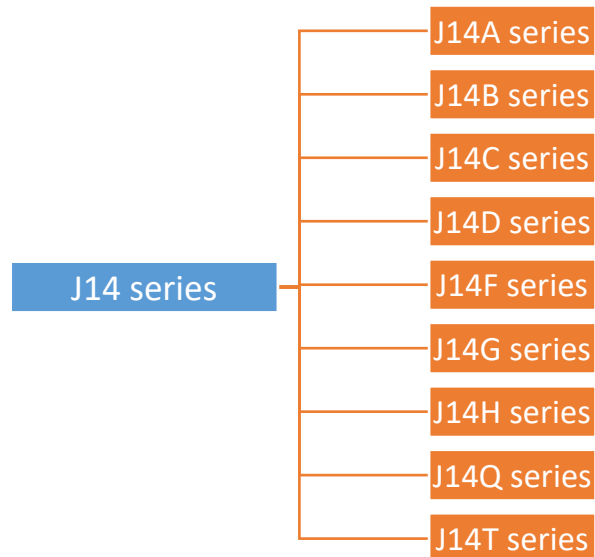
The J14 series connectors feature a dual locking mechanism (J14A, B, C, D, F, G, H, Q, T) that combines quick operation with reliable connection security. These rectangular connectors are designed for welding termination and are widely used in strategic weapon systems, aerospace satellite systems, launch vehicles, ground support systems, as well as various electronic instruments, meters, and cable connections.



### Features

- ✓ Low frequency electrical connector.
- ✓ The double safety locking mechanism. It is a combination of a quick and reliable operation and a reliable connection type in the rectangular electrical connector.
- ✓ Round corner anti-insert design, small size, light weight

### ✓ Type of J14 Series



# J14H series

## Description

The J14H series rectangular electrical connector belongs to the instrument type electrical connector, which has the characteristics of small size, high density, double safety locking, etc. The locking mechanism is connected and locked without action space, and the reliability is high. The terminating form of the product is welded. J14H connector is widely used in aerospace, aviation, ships, communications, computers and other industries of equipment and instrument cabin internal electrical signal connection

## Main technical performance

Rated current: 3A

Contact resistance: Before life test:  $\leq 6\text{m}\Omega$   
After life test:  $\leq 10\text{m}\Omega$

Insulation resistance:

Under standard conditions:  $\geq 2000\text{M}\Omega$

Under high temperature conditions:  $\geq 300\text{M}\Omega$

Under humid conditions:  $\geq 20\text{M}\Omega$

In rainy conditions:  $\geq 5\text{M}\Omega$  (rainproof type only)

Voltage resistance:

Under standard conditions: 500V

Under low pressure conditions: 250V

Under wet conditions: 250V

Mechanical life: 500 cycles

## Performance specification

Temperature rating:  $-55\text{ }^{\circ}\text{C} \sim +125\text{ }^{\circ}\text{C}$

Relative humidity: at  $40\text{ }^{\circ}\text{C} \pm 2\text{ }^{\circ}\text{C}$ , 90% ~ 95%

Vibration: at 10 Hz~2000 Hz, acceleration  $196\text{ m/s}^2$

Shock:  $980\text{ m/s}^2$

Atmospheric pressure:  $101.3\text{ KPa} \sim 1.33\text{ KPa}$

Acceleration:  $780\text{ m/s}^2$ .

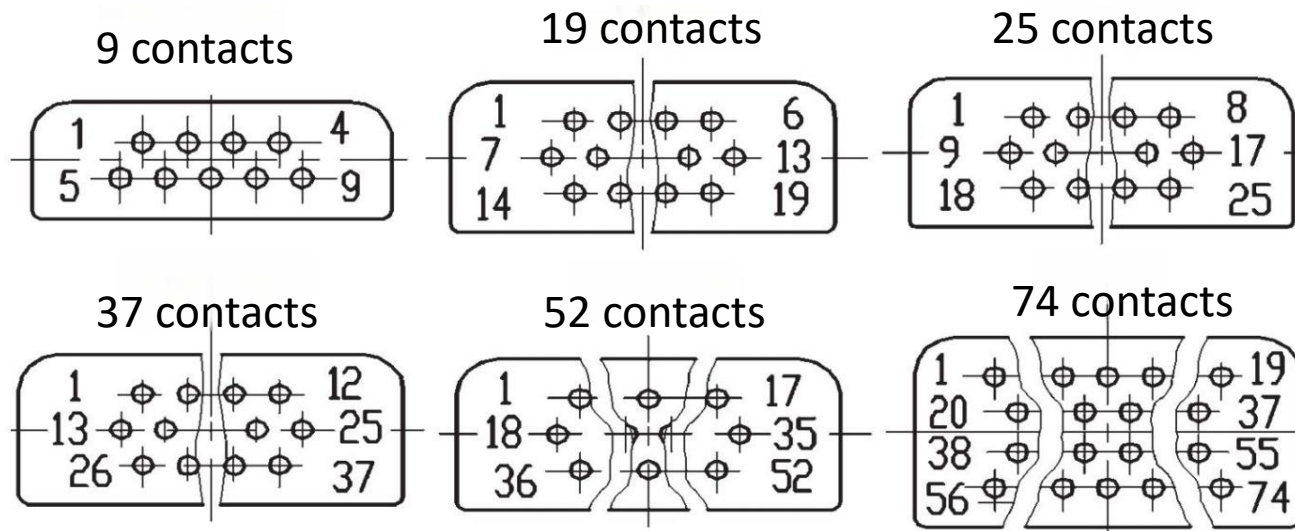
# Order mark

	J14	H	-9	Z1	J2	B
Basic series						
Number of modification						
Number of contact						
See below						
Type of plug and receptacle						
T = Plug,Z = Receptacle						
T1- Rainproof plug, Z1- rainproof receptacle						
Type of contact						
Plug: All in the form of welded cable, not marked						
Sockets: All in the form of welded cables - not marked						
2=Short straight PCB ,3= Long straight PCB						
Style of mounting						
B =Panel						
L= Cable						

## The matching set

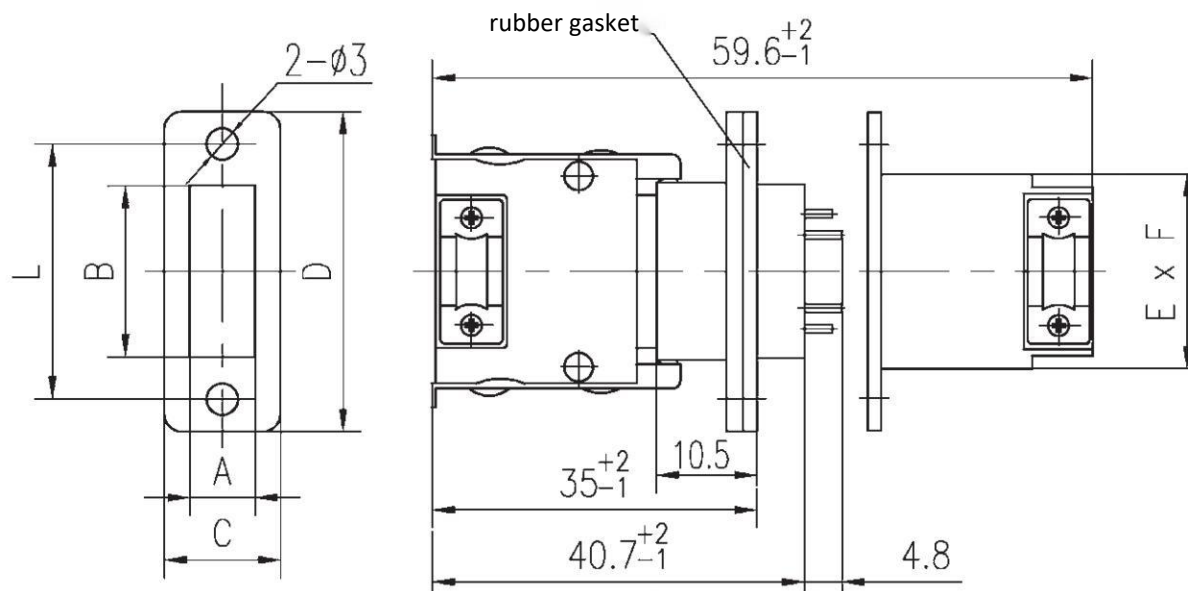
Plug	Matching Receptacle	Receptacle	Matching Plug	Note
J14H-9TK	J14H-9ZJB	J14H-9T1J	J14H-9Z1KB	T1/Z1 does not provide rain protection when paired with T/Z products
	J14H-9ZJ2B		J14H-9Z1K2B	
	J14H-9ZJ3B		J14H-9Z1K3B	
	J14H-9ZJL		J14H-9Z1KL	

## Contact layout



# J14H Shell Size

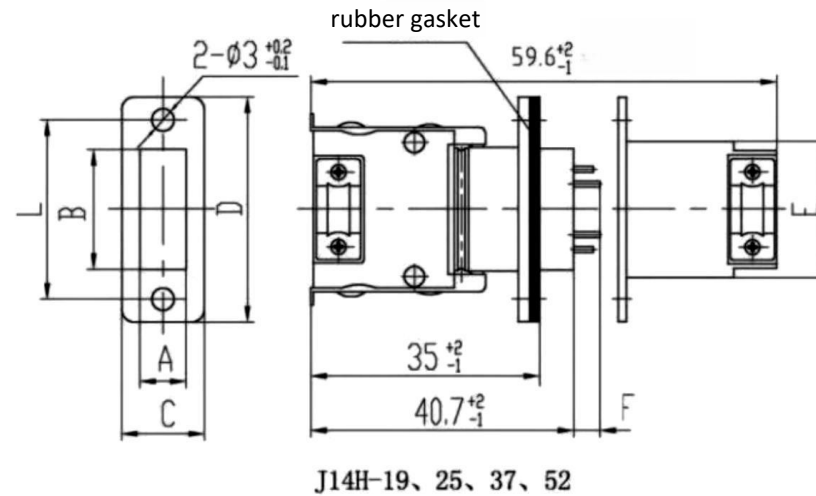
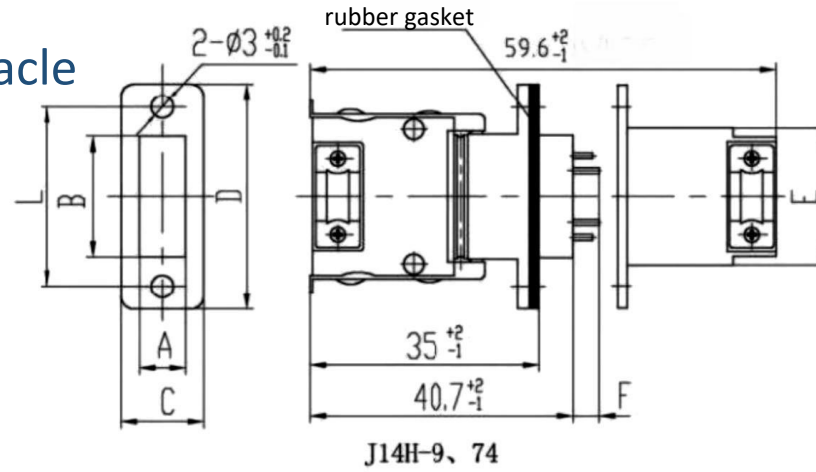
## Non-rainproof plug, cable receptacle



Plug	Receptacle		Number of contacts	L	A	B	C	D	E	F
J14H-nTK J14H-nTJ	J14H-n	ZJB	9	23	5	14.2	10	28	15.7	7
		ZKB	19	27	8.1	18.2	12	32	20.2	10
		ZJL	25	30.4	8.1	21.6	12	35.4	23.6	10
		ZKL	37	37	8.1	28.2	12	42	30.2	10
			52	46	8.1	37.2	12	51	39.2	10
			74	48	9.7	39.2	12.5	53	41.2	11.7

Note: The rubber gasket in the figure is only applicable to the panel receptacle.  
When the number of contacts is 9, the size 4.8 in the figure is 2.8

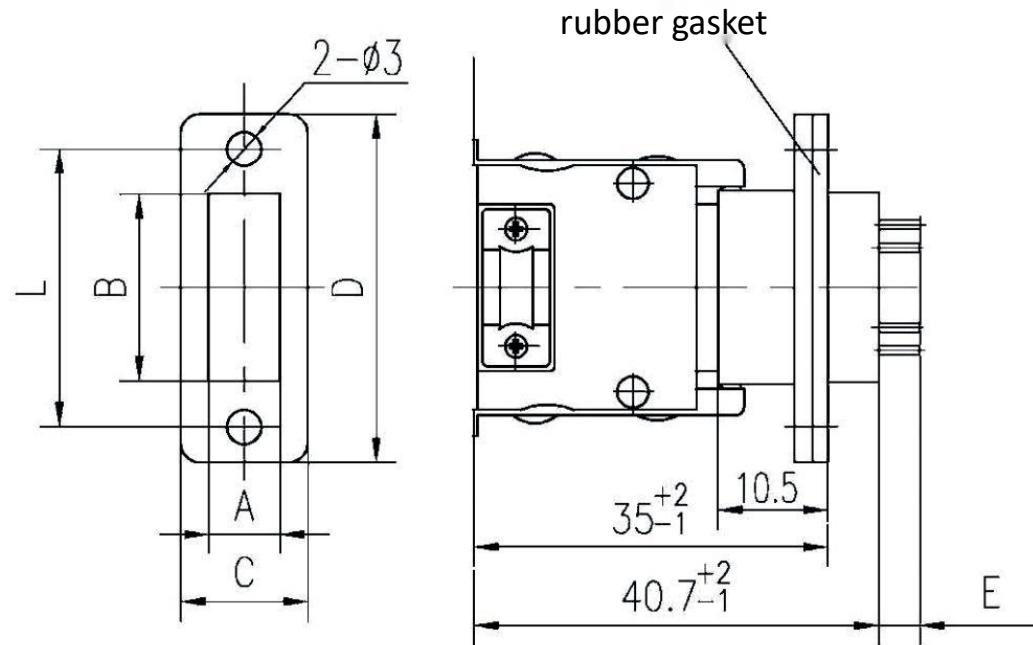
# Rainproof plug, cable receptacle



Type		Contacts	L	A	B	C	D	E	F
J14H-n	T1K	9	23	5	14.2	10.4	28	15.7	2.8
	T1J	19	27	8.1	18.2	12	32	20.2	4.8
	Z1KB	25	30.4	8.1	21.6	12	35.4	23.2	4.8
	Z1JB	37	37	8.1	28.2	12	42	30.2	4.8
	Z1KL	52	46	8.1	37.2	12	51	39.2	4.8
	Z1JL	74	48	9.7	39.2	12.5	53	41.2	4.8



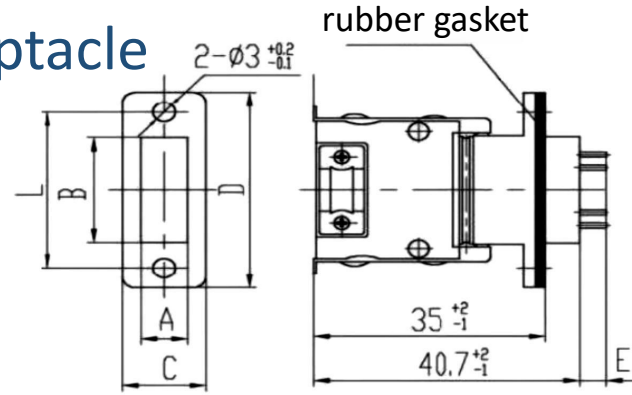
# Non-rainproof plug, PCB receptacle



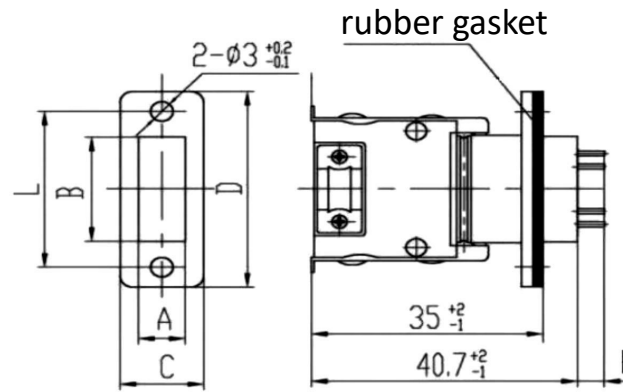
Type	Receptacle		Contacts	L	A	B	C	D	E
J14H-nTK J14H-nTJ	J14H-n	ZJ2B	9	23	5	14.2	10	28	15.7
		ZK2B	19	27	8.1	18.2	12	32	20.2
		ZJ3B	25	30.4	8.1	21.6	12	35.4	23.6
		ZK3B	37	37	8.1	28.2	12	42	30.2
			52	46	8.1	37.2	12	51	39.2
			74	48	9.7	39.2	12.5	53	41.2



# Rainproof plug, PCB receptacle



J14H-9、74



J14H-19、25、37、52

Type		Contacts	L	A	B	C	D	E
J14H-n	T1K	9	23	5	14.2	10.4	28	15.7
	T1J	19	27	8.1	18.2	12	32	20.2
	Z12B	25	30.4	8.1	21.6	12	35.4	23.2
	Z12B	37	37	8.1	28.2	12	42	30.2
	Z13B	52	46	8.1	37.2	12	51	39.2
	Z13B	74	48	9.7	39.2	12.8	53	41.2