



INNOVATE / COOPERATION / WIN-WIN



***J14 SERIES
RECTANGLE ELECTRICAL CONNECTOR
PRODUCT INTRODUCTION***

www.Donconn.com

George@donconn.com

J14A series

Description

J14A rectangular connector is a low-frequency electrical connector with double safety locking mechanism, which is a connection locking form that takes into account fast operation and reliable use in rectangular electrical connectors. Round corner anti-insert design, small size, light weight.

When the end of the J14A rectangular connector is solder cup type, the diameter of the welding wire hole is 60.6mm, and the cross-sectional area of the wire core is 0.15mm², but it should not exceed 0.2mm². When the end J14A rectangular connection is pin type, the diameter of the welding needle is 60.6-60.7mm.

Main technical performance

Rated current :3A

Contact resistance:

Before life test :≤6mΩ

After life test :≤10mΩ

Insulation resistance:

Standard condition :≥2000 MΩ

High temperature :≥ 1000 MΩ

Humidity :≥20MΩ

Withstand voltage

Standard condition: 800V

Low pressure conditions: 250V

Performance specification

Temperature rating: -55 °C ~ +125 °C

Relative humidity: 40 °C ± 2 °C, 90% ~ 95%

Vibration: at 10 Hz~2000 Hz, acceleration 196 m/s²

Shock: 980 m/s²

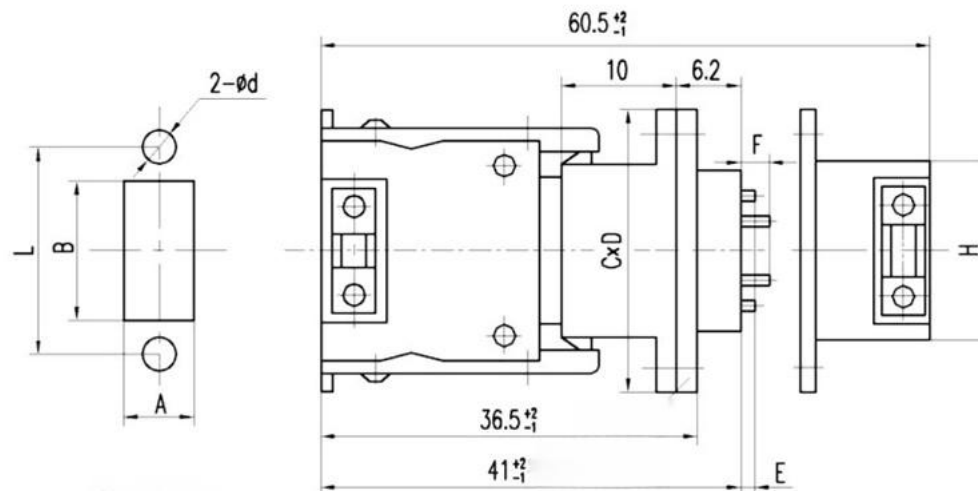
Atmospheric pressure: 101.3 KPa ~ 1.33 KPa

Acceleration: 780 m/s².

Contact layout

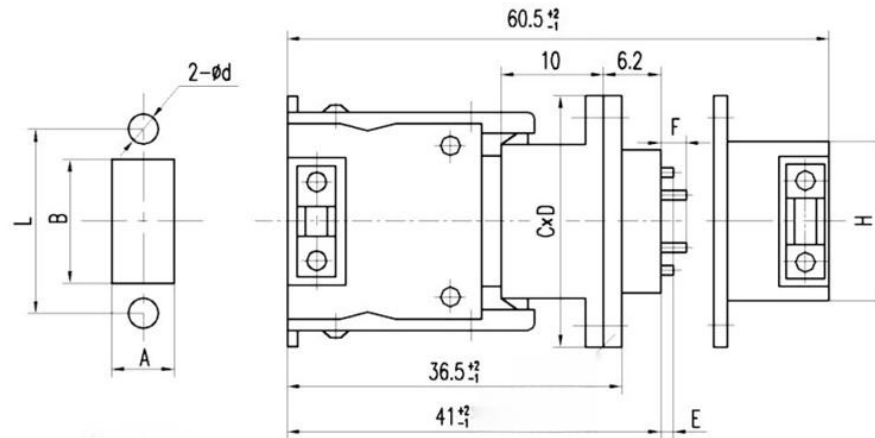
Contact number	pin receptacle	socket receptacle
9		
15		
20		
26		
38		
51		
62		
74		
101		

Normal plug and solder cable/panel receptacle



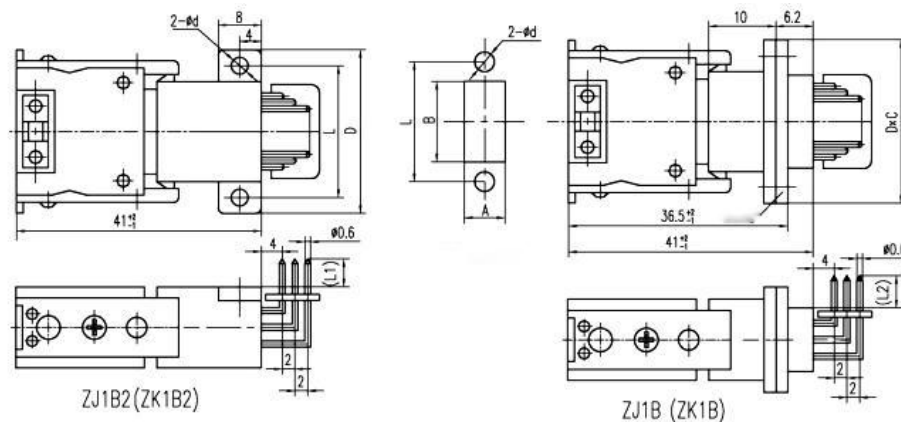
Type	contact number	L±0.1	A ^{+0.4} / _{+0.2}	B ^{+0.4} / _{+0.2}	C	D	d	E ^{+0.3} / _{-0.2}	F ^{+0.3} / _{-0.2}	G	H	current	
J14A-n	9	22	6.6	15.2	28	12	3	2.8	2.8	60.5	17 ⁰ / _{-0.1}	3A	
	15	28	6.6	21.2	34	12	3		2.8	60.5	23 ⁰ / _{-0.1}		
TJ	20	34	10	25	41	16	3.5		2.8	60.5	28.2 ⁰ / _{-0.15}		
ZKB	26	34	10	25	41	16	3.5		2.8	60.5	28.2 ⁰ / _{-0.15}		
J14W-n	ZKL	38	42	10	33	49	3.5		2.8	60.5	36.2 ⁰ / _{-0.15}		
	ZJB	51	52	10	43	59	3.5		2.8	62.5	46.1 ⁰ / _{-0.15}		
	ZJL	62	58	10	49	65	3.5		2.8	60.5	52.2 ⁰ / _{-0.15}		
		74	54	12	45	61	18		3.5	4.8	60.5		47.4 ⁰ / _{-0.15}
		101	58	14	49	65	20		3.5	4.8	60.5		52.2 ⁰ / _{-0.15}

Normal plug and solder narrow flange panel/cable receptacle



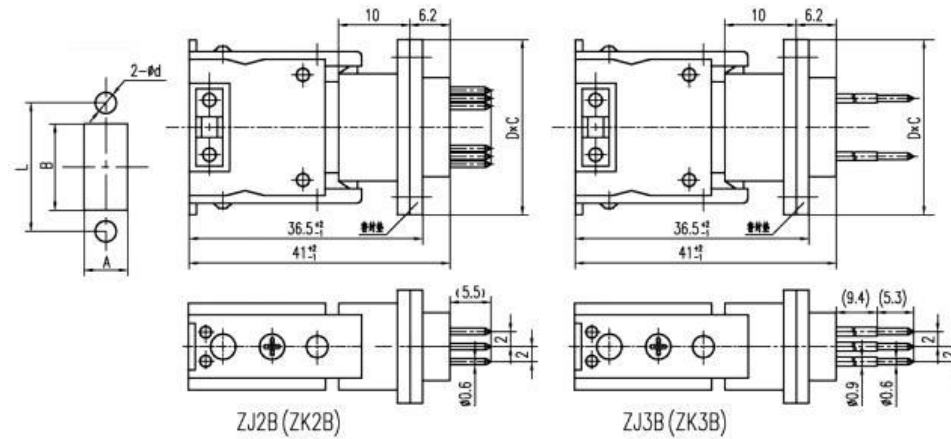
Type	contact number	$L \pm 0.1$	$A^{+0.4}_{+0.2}$	$B^{+0.4}_{+0.2}$	C	D	d	$E^{+0.3}_{-0.2}$	$F^{+0.3}_{-0.2}$	H	
J14A-n	TK	9	22	6.6	15.2	28	8.9	2.8	2.8	$17^{0}_{-0.1}$	
	TJ	15	28	6.6	21.2	34	8.9		2.8	$23^{0}_{-0.1}$	
	ZKB1	20	34	10	25	41	12		3.5	2.8	$28.2^{0}_{-0.15}$
J14W-n	ZKB1	26	34	10	25	41	12		3.5	2.8	$28.2^{0}_{-0.15}$
	ZKL1	38	42	10	33	49	12		3.5	2.8	$36.2^{0}_{-0.15}$
	ZJB1L	51	52	10	43	59	12		3.5	2.8	$46.1^{0}_{-0.15}$
	ZKB1L	62	58	10	49	65	12		3.5	2.8	$52.2^{0}_{-0.15}$
		74	54	12	45	61	14		3.5	4.8	$47.4^{0}_{-0.15}$
	101	58	14	49	65	16	3.5		4.8	$52.2^{0}_{-0.15}$	

Normal plug and 90° Elbow PCB receptacle



Type		contact number	L \pm 0.1	A $^{+0.4}_{+0.2}$	B $^{+0.4}_{+0.2}$	C	D	d	contact		Pin diameter to fit PCB	L1	L2
									Dot spacing	Row spacing			
J14A-n	TK	9	22	6.6	15.2	28	8.9	3	2	2	ϕ 0.6	3	4.2
		15	28	6.6	21.2	34	8.9	3	2	2		3	4.2
	TJ	20	34	10	25	41	12	3.5	2	2		2.5	3.5
J14W-n	ZK1B2	26	34	10	25	41	12	3.5	2	2		2.5	3.5
		38	42	10	33	49	12	3.5	2	2		2.5	3.5
	ZK1B	51	52	10	43	59	12	3.5	2	2		2.5	3.5
	ZJ1B2	62	58	10	49	65	12	3.5	2	2		2.5	3.5
	ZJ1B	74	54	12	45	61	14	3.5	2	2		2.5	3.5
		101	58	14	49	65	16	3.5	2	2		2.5	3.5

Normal plug and straight PCB receptacle



Type	contact number	L±0.1	A ^{+0.4} / _{+0.2}	B ^{+0.4} / _{+0.2}	C	D	d	contact		Pin diameter to fit the printed board	
								Dot spacing			
J14A-n	TK	9	22	6.6	15.2	12	28	3	2	2	Φ 0.6
		15	28	6.6	21.2	12	34	3	2	2	
	TJ	20	34	10	25	16	41	3.5	2	2	
		26	34	10	25	16	41	3.5	2	2	
J14W-n	ZK2B	38	42	10	33	16	49	3.5	2	2	
	ZJ2B	51	52	10	43	16	59	3.5	2	2	
	ZK3B	62	58	10	49	16	65	3.5	2	2	
	ZJ3B	74	54	12	45	18	61	3.5	2	2	
		101	58	14	49	20	65	3.5	2	2	