



INNOVATE / COOPERATION / WIN-WIN

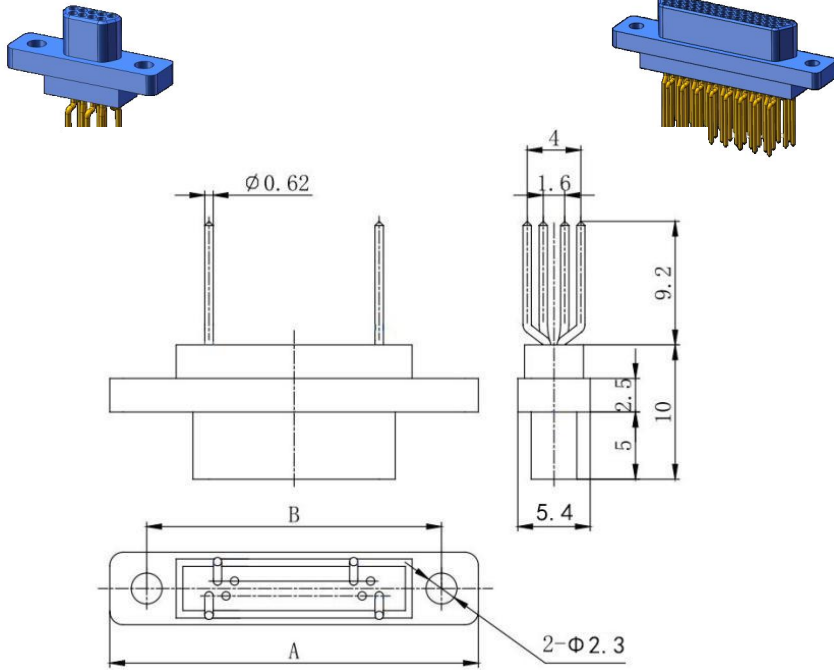


***J30 SERIES  
RECTANGLE ELECTRICAL CONNECTOR  
PRODUCT INTRODUCTION***

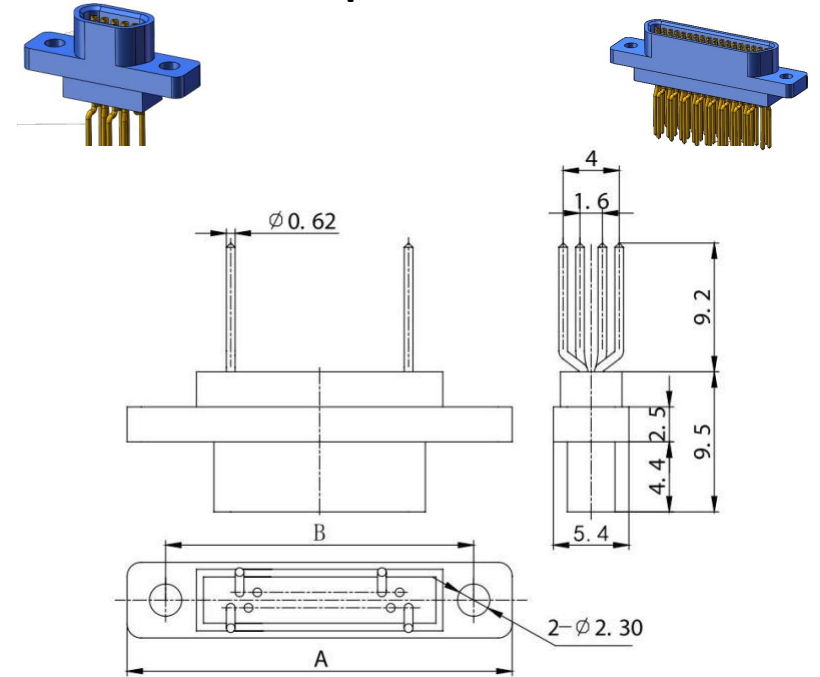
# J30 straight PCB series

Grid Distance: 2.54\*1.6

## J30-9、15、21、25、31、37TJN Plug



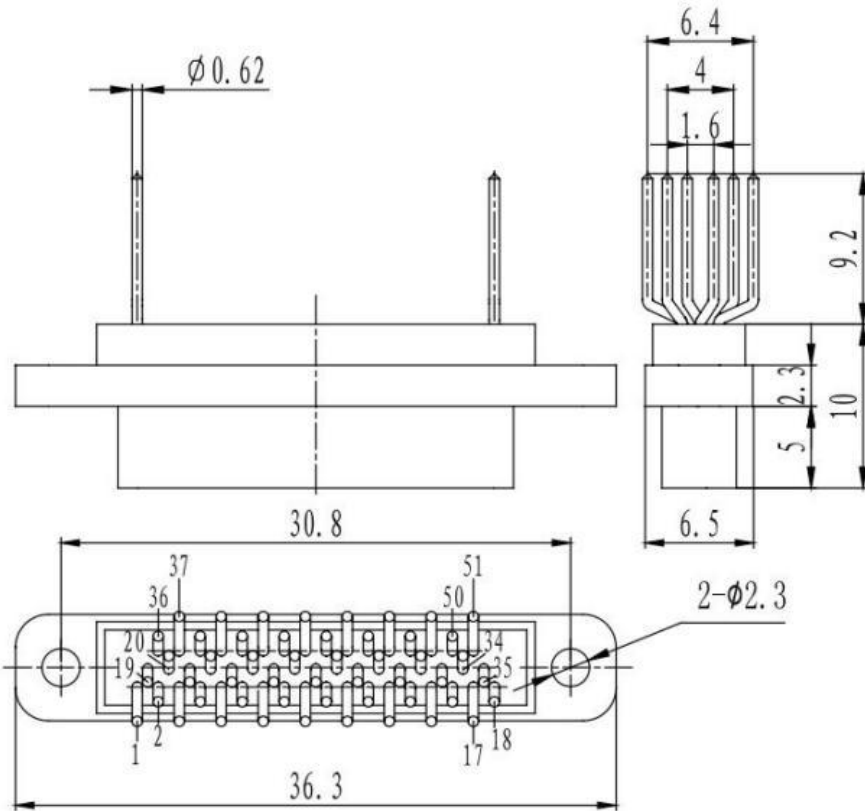
## J30-9、15、21、25、31、37ZKN Receptacle



Part number	A	B
J30-9TJN	19.8	14.3
J30-15TJN	23.6	18.2
J30-21TJN	27.5	22.0
J30-25TJN	30.0	24.5
J30-31TJN	33.7	28.3
J30-37TJN	37.5	32.2

Part number	A	B
J30-9ZKN	19.8	14.3
J30-15ZKN	23.6	18.2
J30-21ZKN	27.5	22.0
J30-25ZKN	30.0	24.5
J30-31ZKN	33.7	28.3
J30-37ZKN	37.5	32.2

# Plug J30-51TJN



# Receptacle J30-51ZKN

