



INNOVATE / COOPERATION / WIN-WIN

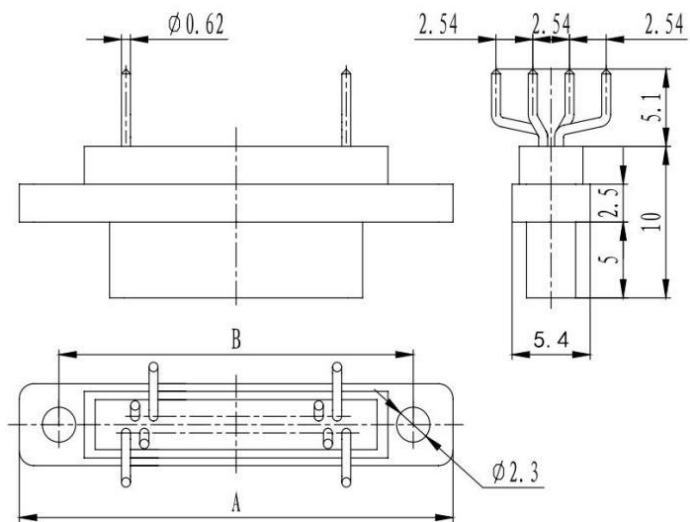


***J30 SERIES
RECTANGLE ELECTRICAL CONNECTOR
PRODUCT INTRODUCTION***

J30 straight PCB N1 series

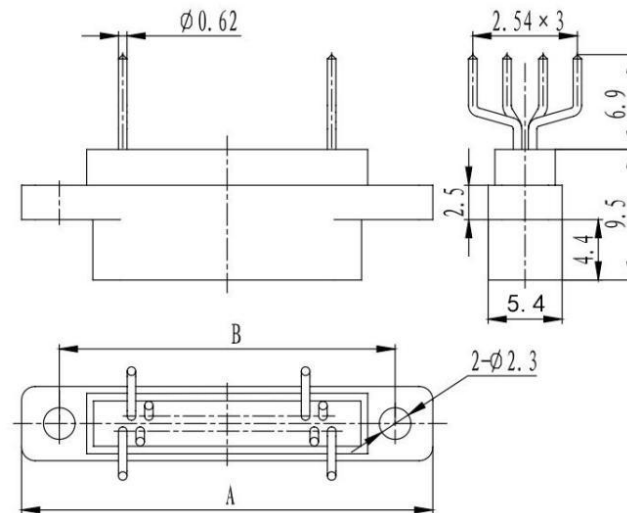
Grid Distance: 2.54*2.54

J30-9、15、21、25、31、37TJN1 Plug



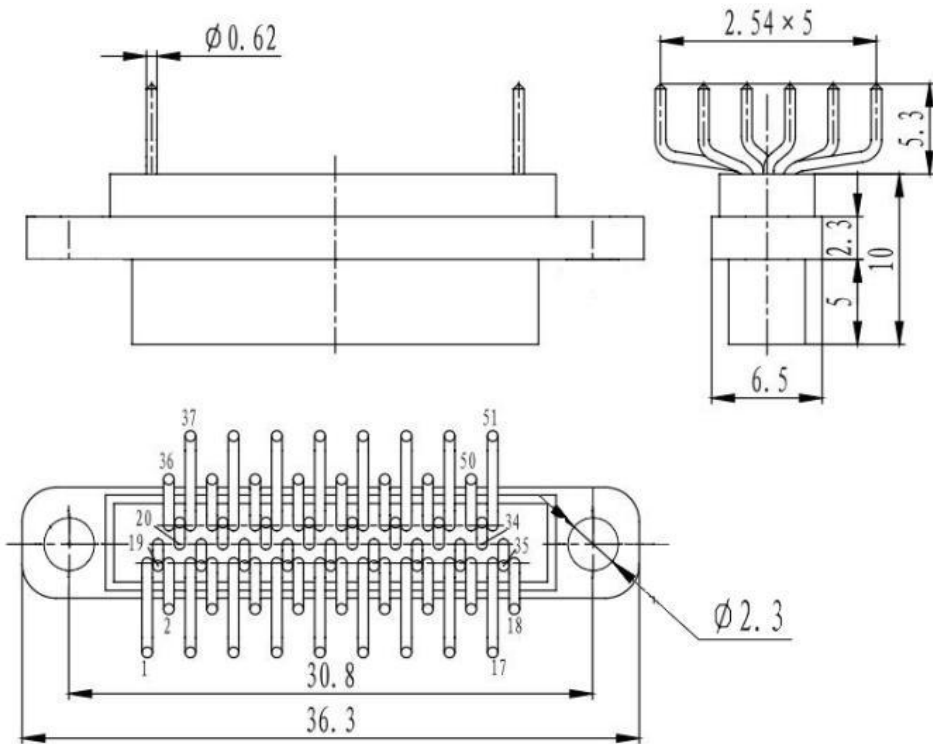
Part number	A	B
J30-9TJN1	19.8	14.3
J30-15TJN1	23.6	18.2
J30-21TJN1	27.5	22.0
J30-25TJN1	30.0	24.5
J30-31TJN1	33.7	28.3
J30-37TJN1	37.5	32.2

J30-9、15、21、25、31、37ZKN1 Receptacle



Part number	A	B
J30-9ZKN1	19.8	14.3
J30-15ZKN1	23.6	18.2
J30-21ZKN1	27.5	22.0
J30-25ZKN1	30.0	24.5
J30-31ZKN1	33.7	28.3
J30-37ZKN1	37.5	32.2

Plug J30-51TJN1



Receptacle J30-51ZKN1

