

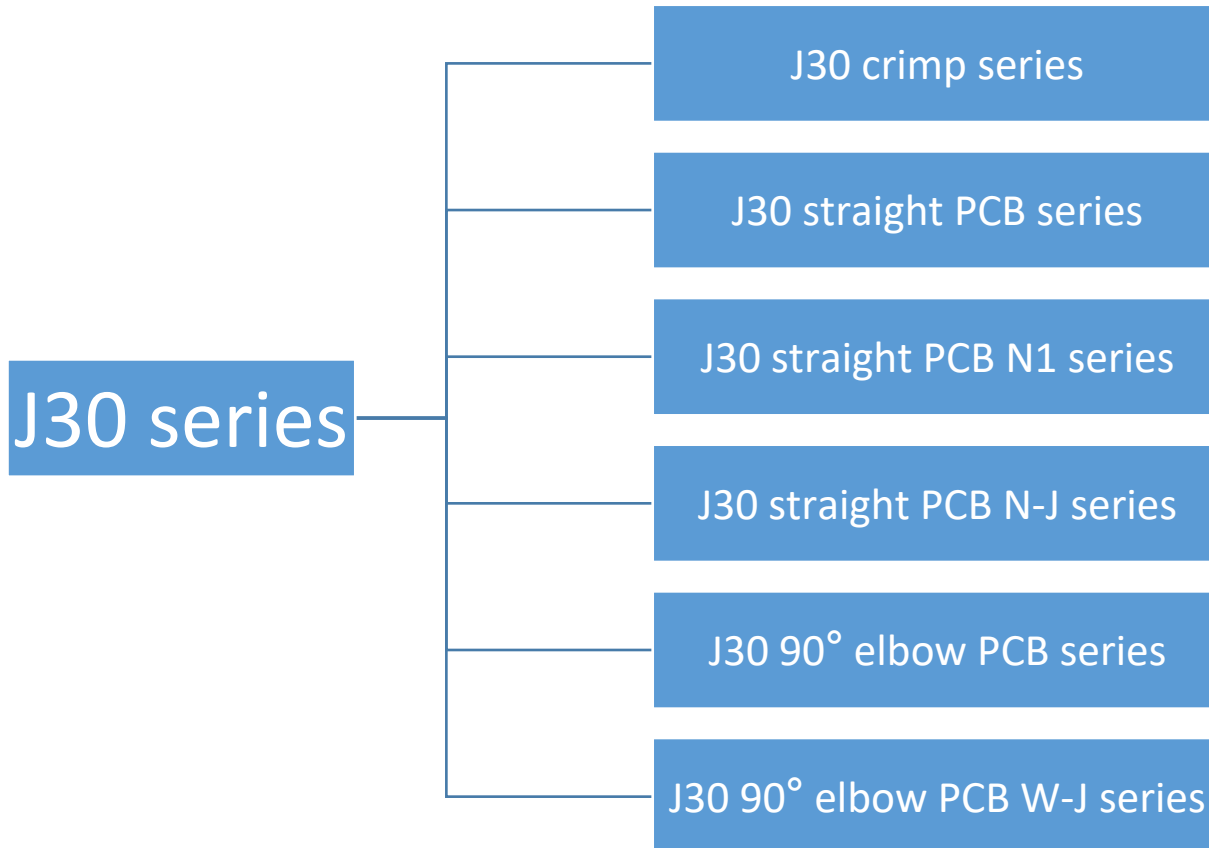


INNOVATE / COOPERATION / WIN-WIN

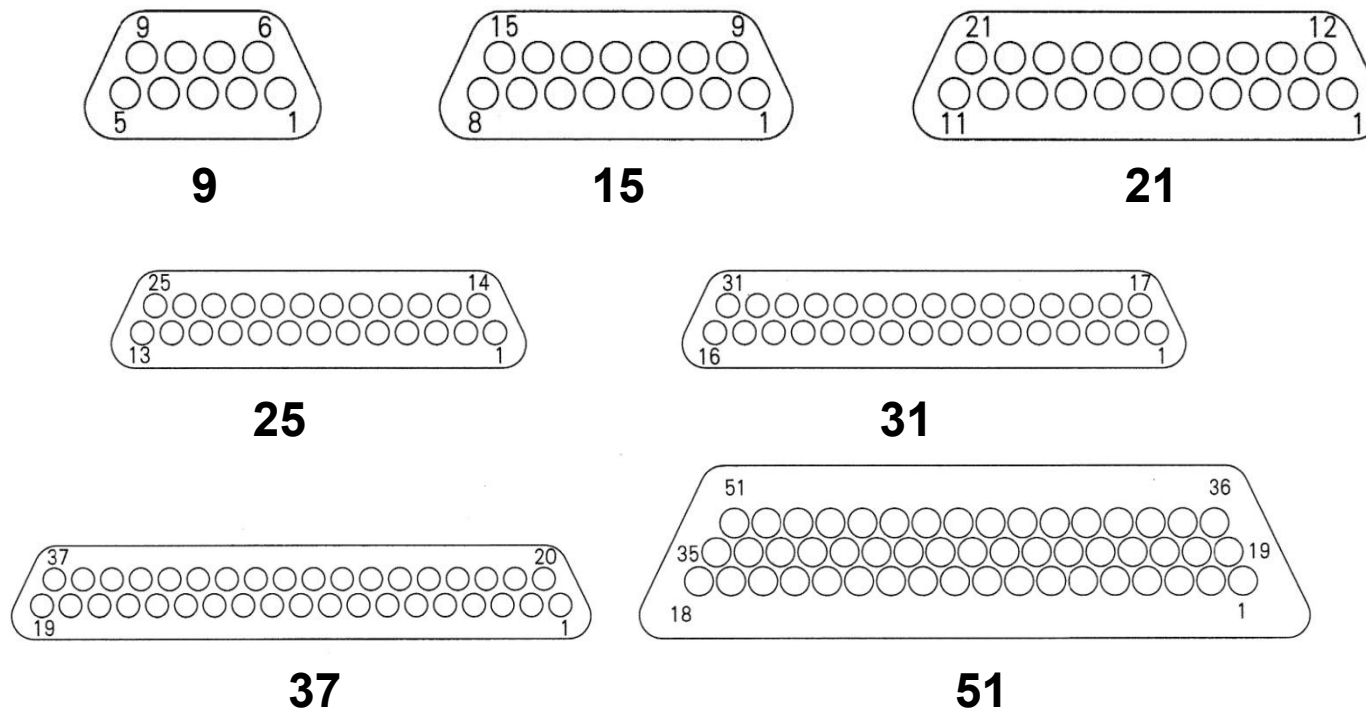


***J30 SERIES  
RECTANGLE ELECTRICAL CONNECTOR  
PRODUCT INTRODUCTION***

J30 series products are equivalent to the US MD series products, the shell is plastic, mainly used in aviation, aerospace electronic equipment and instruments, contact spacing is 1.27mm, applicable wire core cross-sectional area of 0.1mm<sup>2</sup>~ 0.15mm<sup>2</sup>. The product meets the requirements of MIL-DTL-83513. It provides the optional 10 kinds contacts number: 9, 15, 21, 25, 31, 37, 51.



## Contact layout (From the plug surface)



## Performance specification

Temperature: -55 °C ~ +125 °C

Relative humidity: at 40 °C, 95%

Vibration: at 10Hz ~ 2000Hz, acceleration 196 m/s<sup>2</sup>

Shock: 735 m/s<sup>2</sup>

Acceleration: 735 m/s<sup>2</sup>

Rated current: 3A

Contact resistance: ≤ 10 MΩ

Insulation resistance: ≥ 5000 MΩ

Dielectric strength: 800 V

Endurance: ≥ 500 cycle

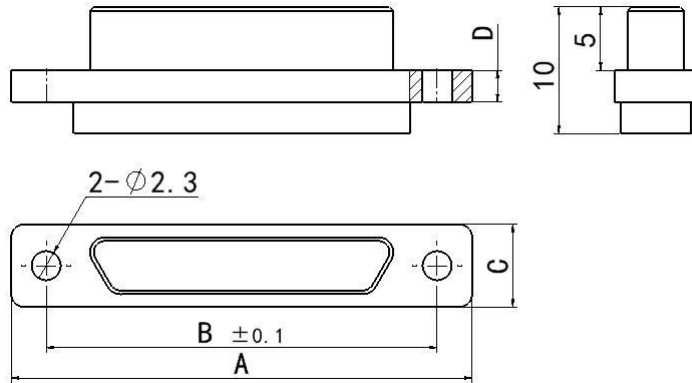
# How to order

	J30	9	TJ	S	J
Basic series					
Contact number					
9, 15, 21,25, 31, 37, 51					
Type of connector					
ZK = Receptacle with socket					
TJ = Plug with pin					
Type of termination					
Omit = Crimp					
S = Solder					
N = Straight PCB					
W = Elbow PCB					
Modification					
J = Grid distance of PCB is 1.27×2.54					
Omit = Standard					

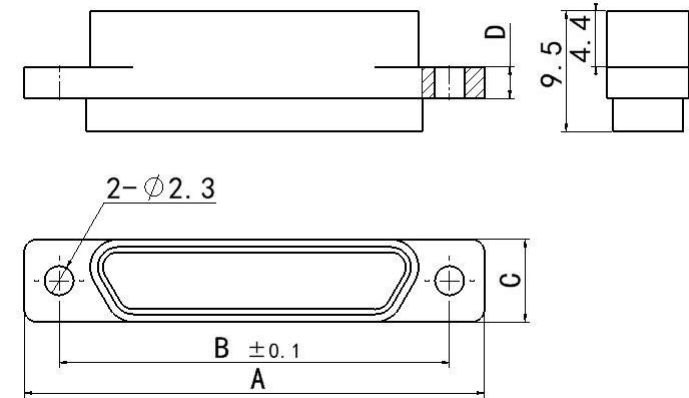
# J30 crimp series

Grid Distance: 1.27\*2.54

## J30-9、15、21、25、31、37、51TJ Plug



## J30-9、15、21、25、31、37、51ZK Receptacle



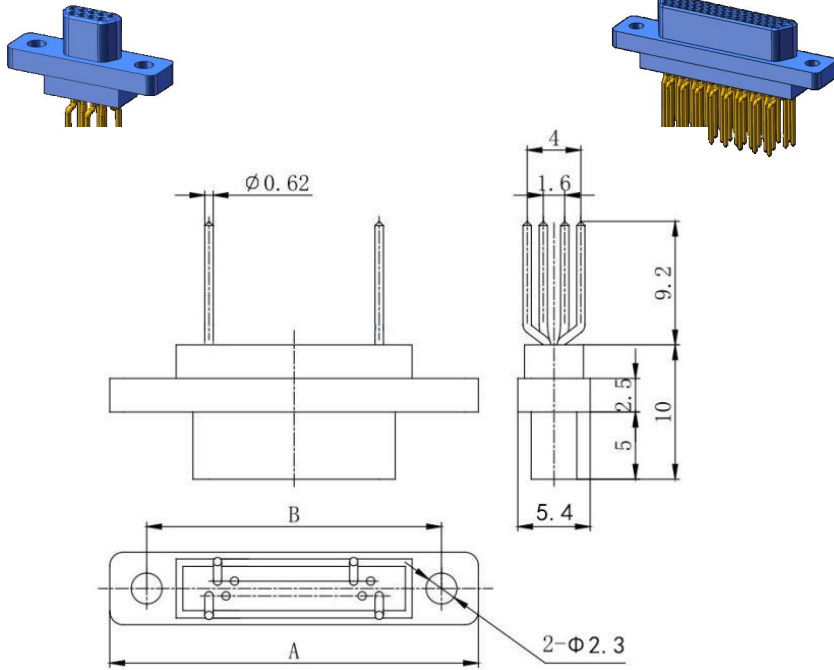
Part number	A	B	C	D
J30-9TJ	19.8	14.3	2.5	5.4
J30-15TJ	23.6	18.2	2.5	5.4
J30-21TJ	27.5	22.0	2.5	5.4
J30-25TJ	30.0	24.5	2.5	5.4
J30-31TJ	33.7	28.3	2.5	5.4
J30-37TJ	37.5	32.2	2.5	5.4
J30-51TJ	36.3	30.8	2.3	6.5

Part number	A	B	C	D
J30-9ZK	19.8	14.3	2.5	5.4
J30-15ZK	23.6	18.2	2.5	5.4
J30-21ZK	27.5	22.0	2.5	5.4
J30-25ZK	30.0	24.5	2.5	5.4
J30-31ZK	33.7	28.3	2.5	5.4
J30-37ZK	37.5	32.2	2.5	5.4
J30-51ZK	36.3	30.8	2.3	6.5

# J30 straight PCB series

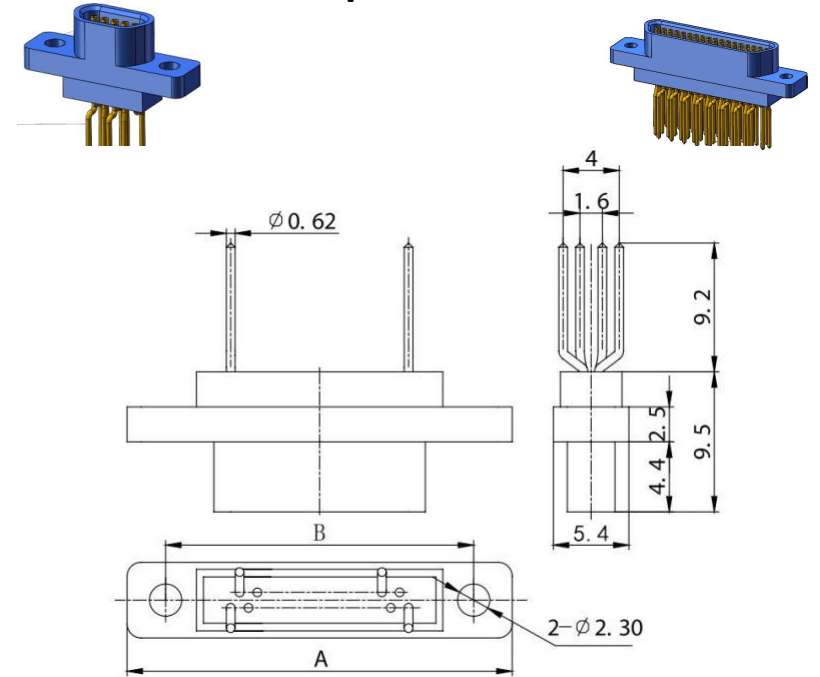
Grid Distance: 2.54\*1.6

## J30-9、15、21、25、31、37TJN Plug



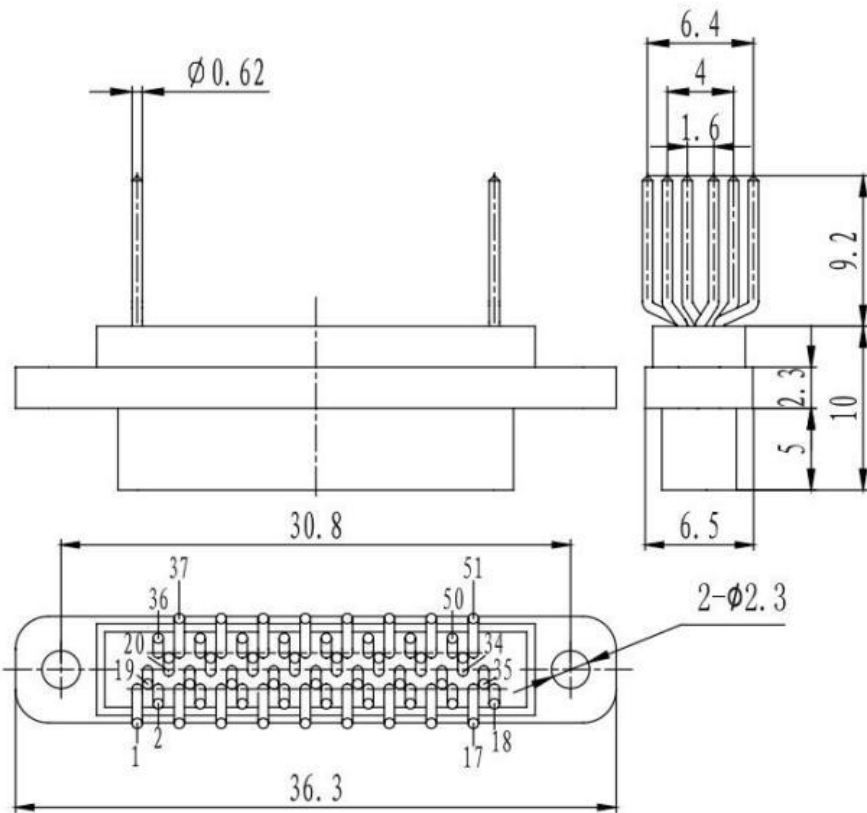
Part number	A	B
J30-9TJN	19.8	14.3
J30-15TJN	23.6	18.2
J30-21TJN	27.5	22.0
J30-25TJN	30.0	24.5
J30-31TJN	33.7	28.3
J30-37TJN	37.5	32.2

## J30-9、15、21、25、31、37ZKN Receptacle

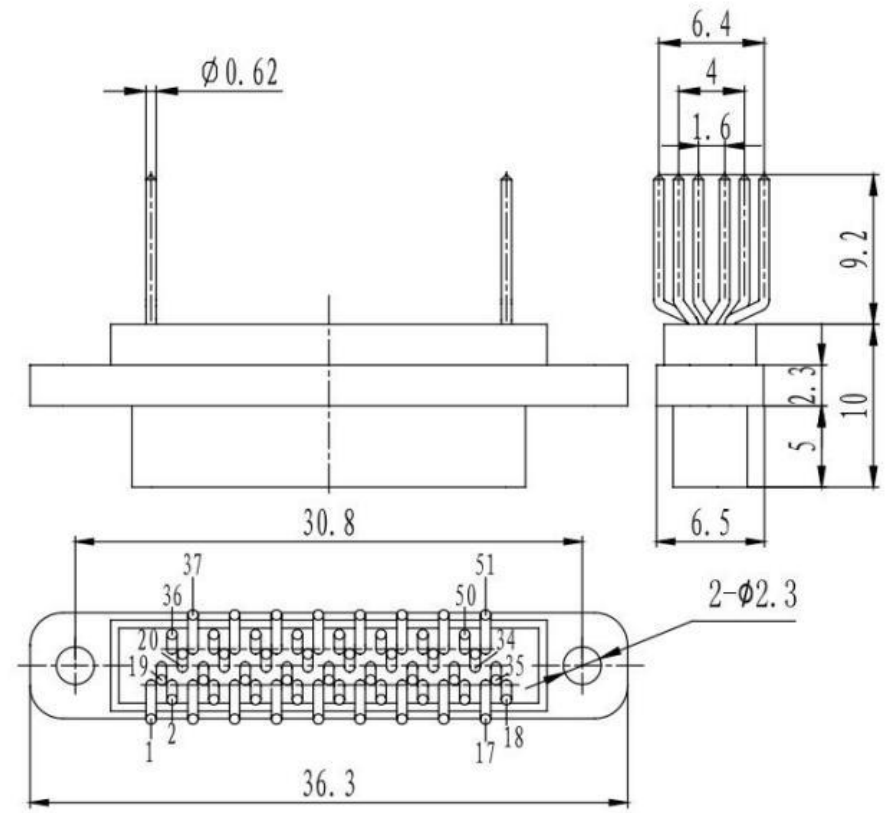


Part number	A	B
J30-9ZKN	19.8	14.3
J30-15ZKN	23.6	18.2
J30-21ZKN	27.5	22.0
J30-25ZKN	30.0	24.5
J30-31ZKN	33.7	28.3
J30-37ZKN	37.5	32.2

# Plug J30-51TJN



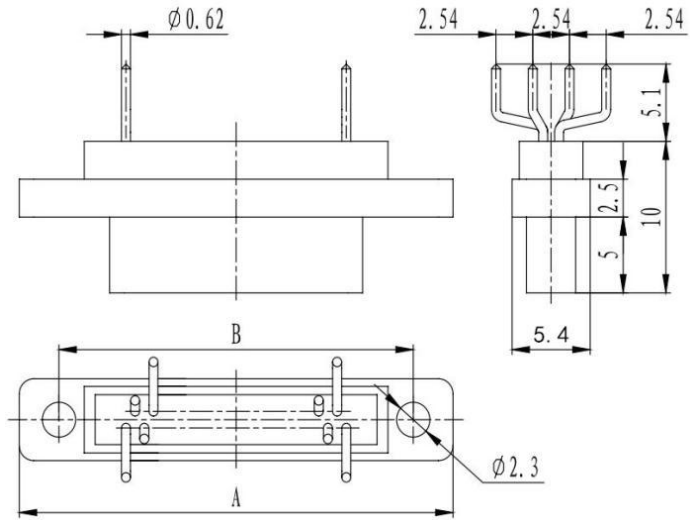
# Receptacle J30-51ZKN



# J30 straight PCB N1 series

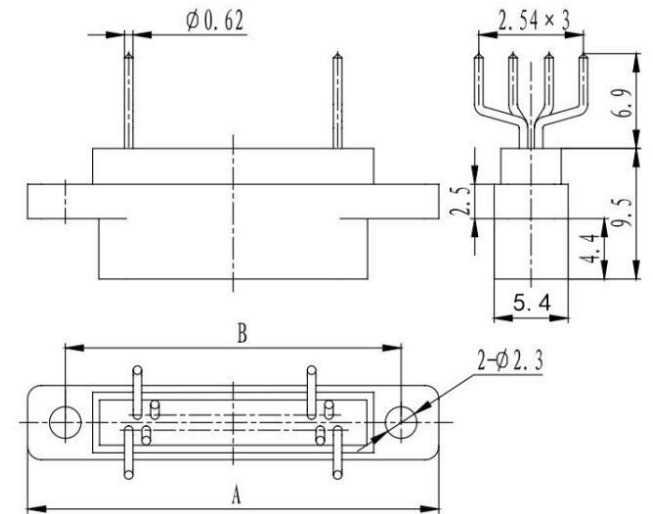
Grid Distance: 2.54\*2.54

## J30-9、15、21、25、31、37TJN1 Plug



Part number	A	B
J30-9TJN1	19.8	14.3
J30-15TJN1	23.6	18.2
J30-21TJN1	27.5	22.0
J30-25TJN1	30.0	24.5
J30-31TJN1	33.7	28.3
J30-37TJN1	37.5	32.2

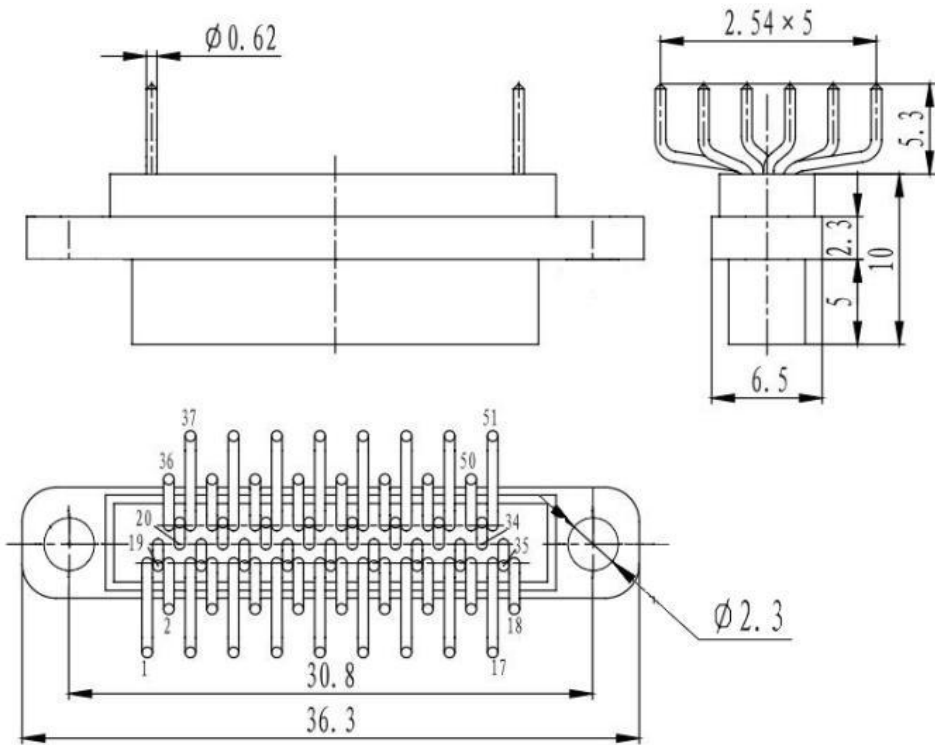
## J30-9、15、21、25、31、37ZKN1 Receptacle



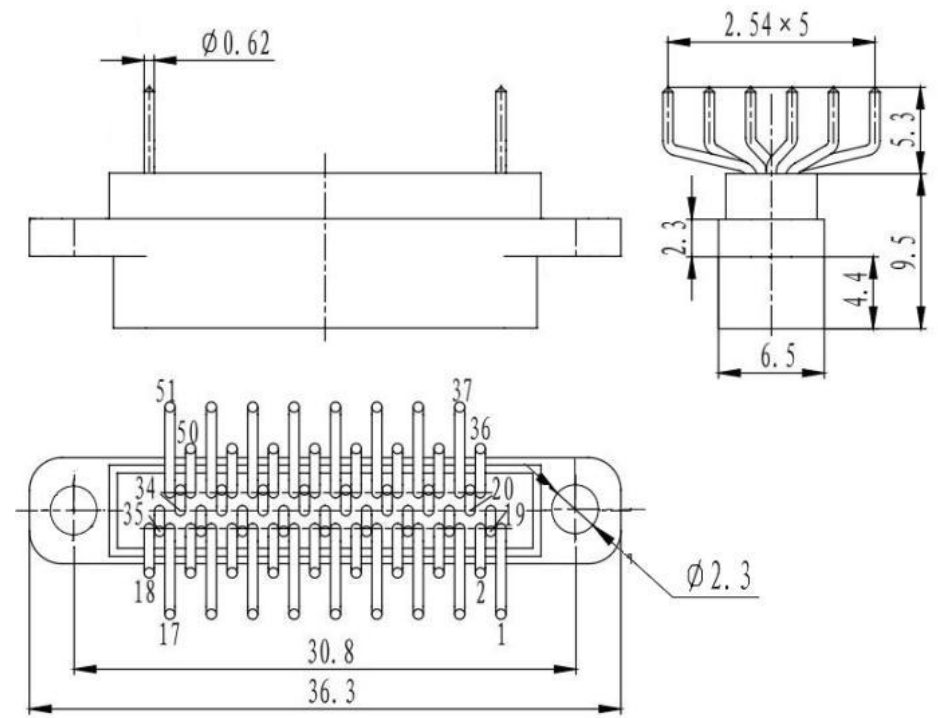
Part number	A	B
J30-9ZKN1	19.8	14.3
J30-15ZKN1	23.6	18.2
J30-21ZKN1	27.5	22.0
J30-25ZKN1	30.0	24.5
J30-31ZKN1	33.7	28.3
J30-37ZKN1	37.5	32.2



# Plug J30-51TJN1



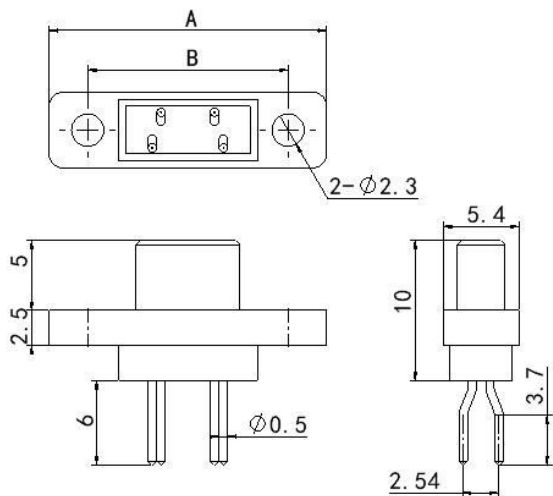
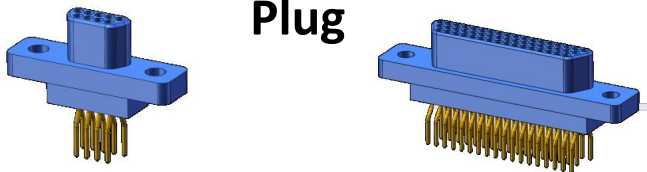
# Receptacle J30-51ZKN1



# J30 straight PCB N-J series

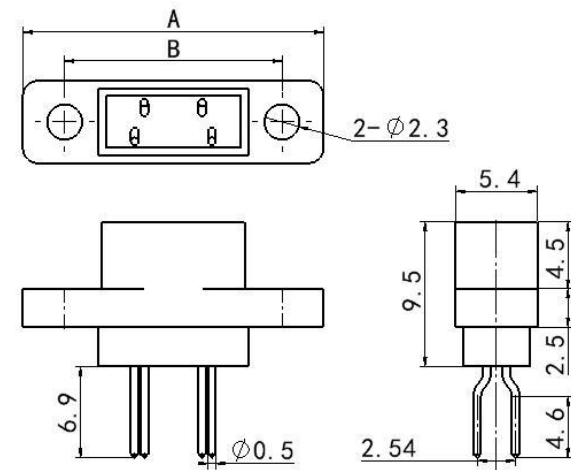
## J30-9、15、21、25、31、37TJN-J

Plug



## J30-9、15、21、25、31、37ZKN-J

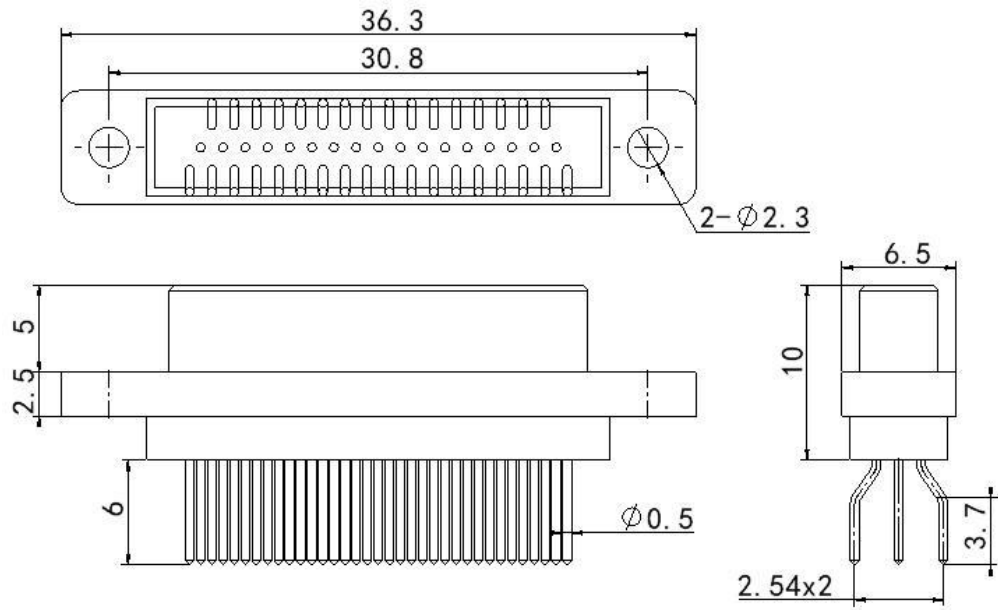
Receptacle



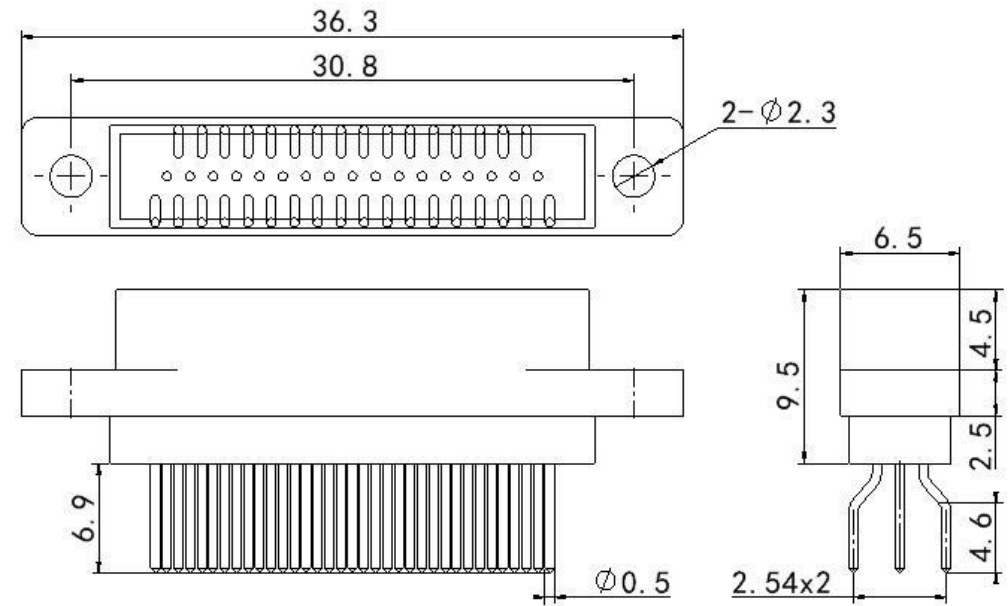
Part number	A	B
J30-9TJN-J	19.8	14.3
J30-15TJN-J	23.6	18.2
J30-21TJN-J	27.5	22.0
J30-25TJN-J	30.0	24.5
J30-31TJN-J	33.7	28.3
J30-37TJN-J	37.5	32.2

Part number	A	B
J30-9ZKN-J	19.8	14.3
J30-15ZKN-J	23.6	18.2
J30-21ZKN-J	27.5	22.0
J30-25ZKN-J	30.0	24.5
J30-31ZKN-J	33.7	28.3
J30-37ZKN-J	37.5	32.2

# Plug J30-51TJN-J



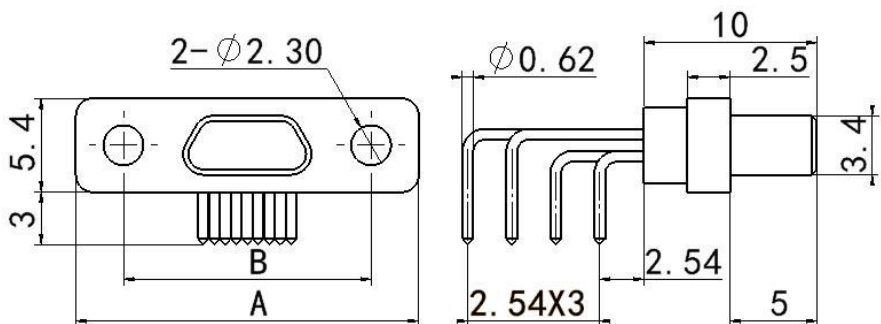
# Receptacle J30-51ZKN-J



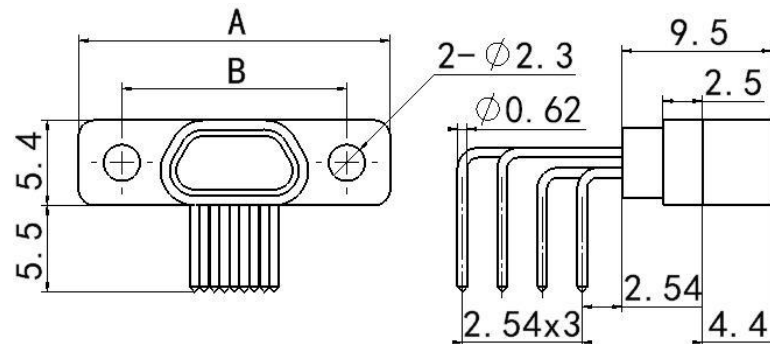
# J30 90° elbow PCB series

Grid Distance: 2.54\*2.54

## J30-9、15、21、25、31、37TJW Plug



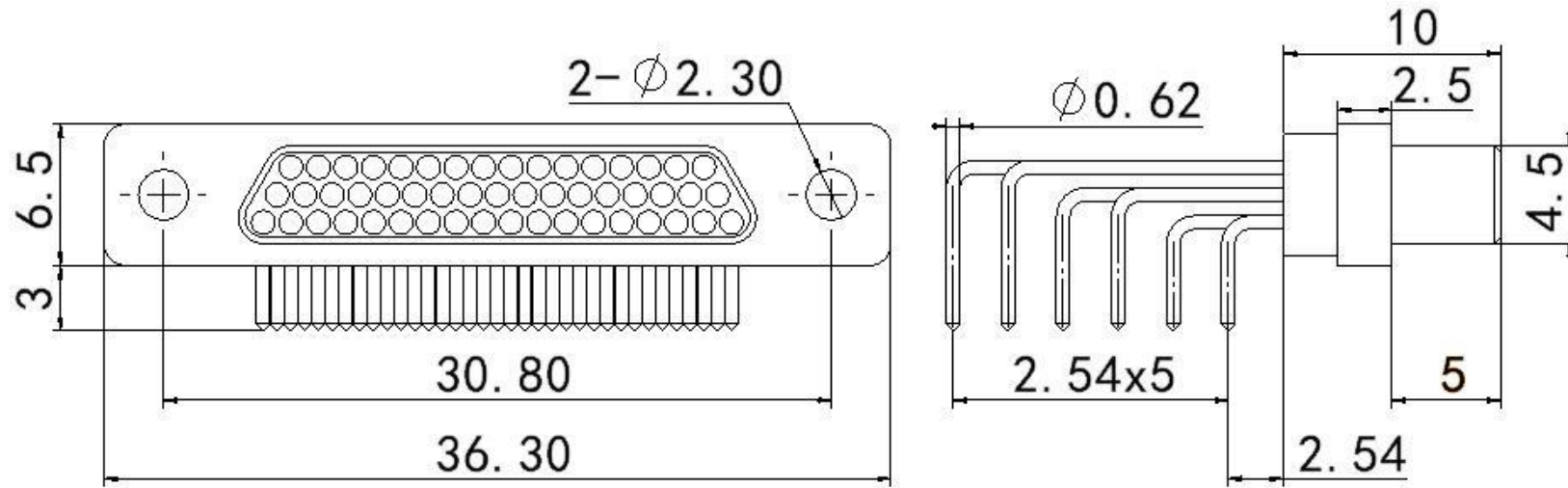
## J30-9、15、21、25、31、37ZKW Receptacle



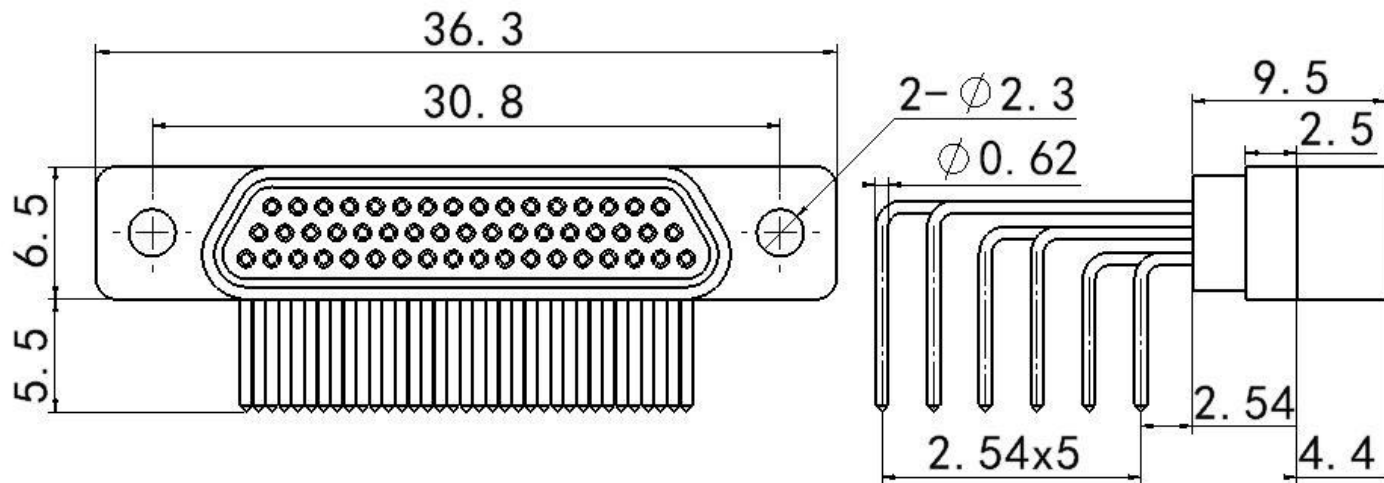
Part number	A	B
J30-9TJW	19.8	14.3
J30-15TJW	23.6	18.2
J30-21TJW	27.5	22.0
J30-25TJW	30.0	24.5
J30-31TJW	33.7	28.3
J30-37TJW	37.5	32.2

Part number	A	B
J30-9ZKW	19.8	14.3
J30-15ZKW	23.6	18.2
J30-21ZKW	27.5	22.0
J30-25ZKW	30.0	24.5
J30-31ZKW	33.7	28.3
J30-37ZKW	37.5	32.2

# Plug J30-51TJW



# Receptacle J30-51ZKW

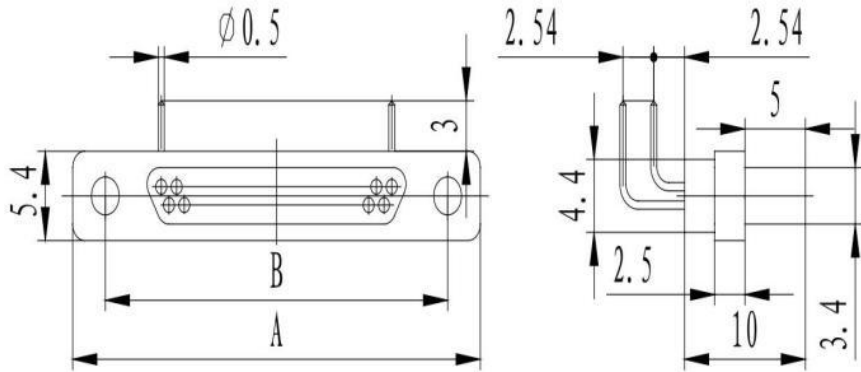


# J30 90° elbow PCB W-J series

Grid Distance: 1.27\*2.54

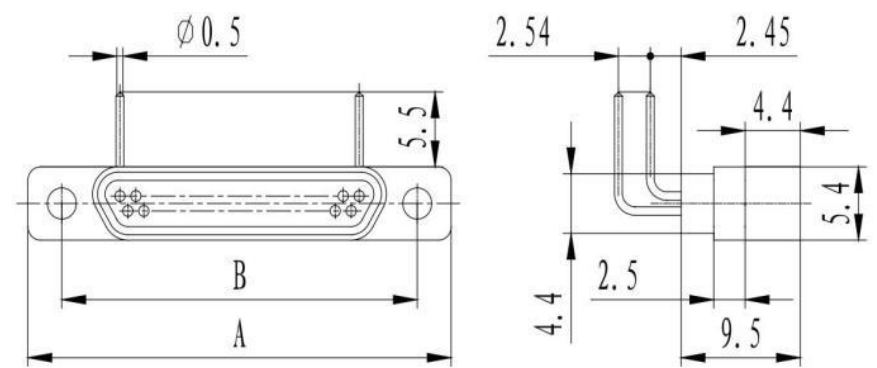
J30-9、15、21、25、31、37TJW-J

Plug



J30-9、15、21、25、31、37ZKW-J

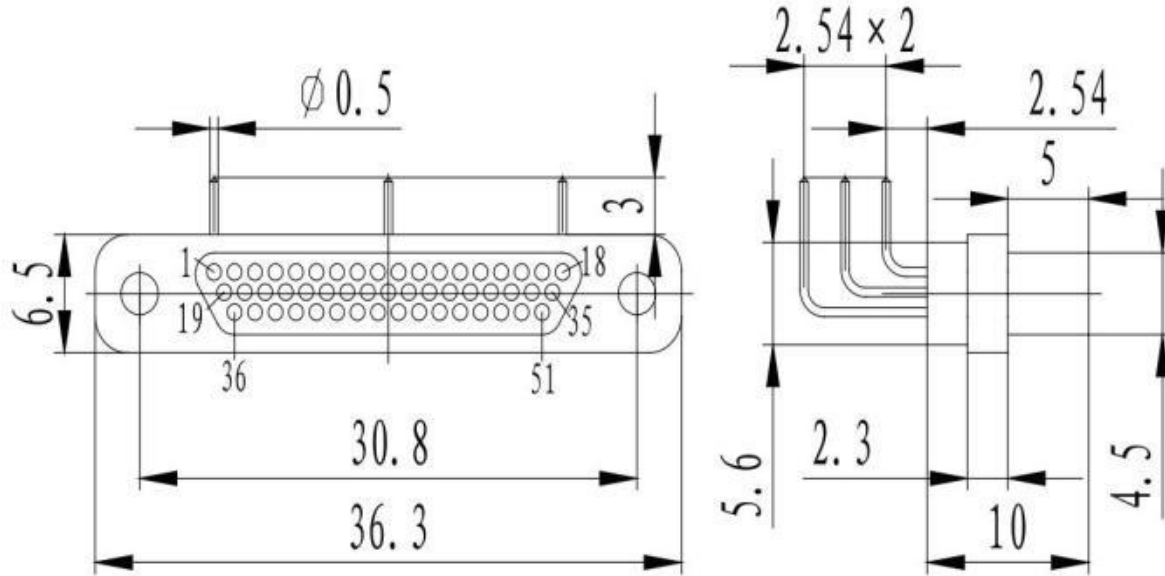
Receptacle



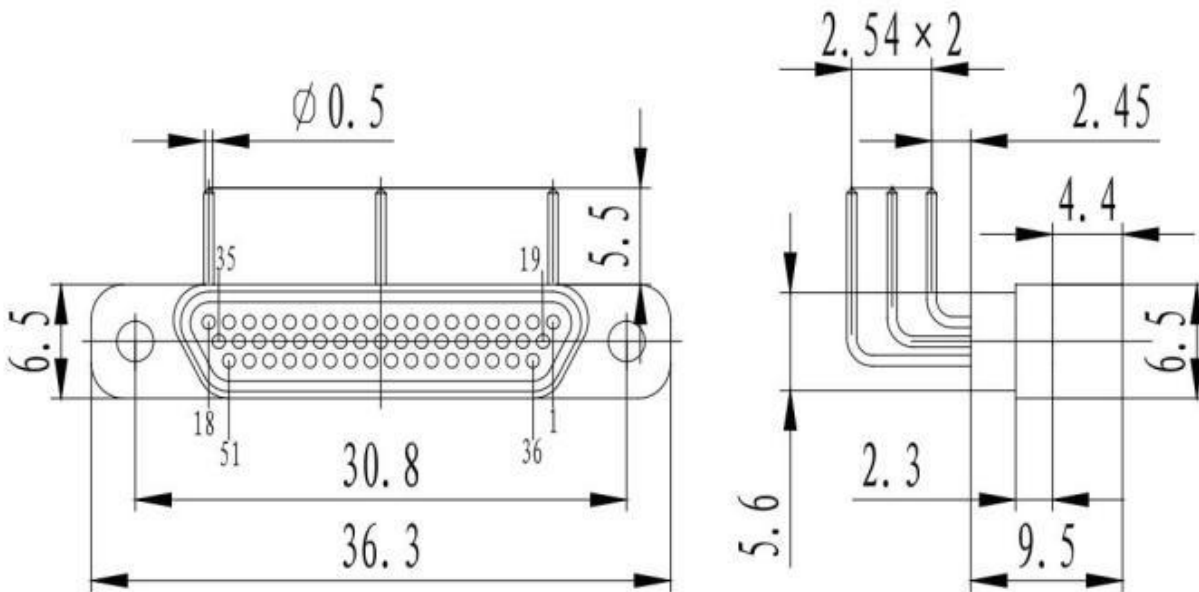
Part number	A	B
J30-9TJW-J	19.8	14.3
J30-15TJW-J	23.6	18.2
J30-21TJW-J	27.5	22.0
J30-25TJW-J	30.0	24.5
J30-31TJW-J	33.7	28.3
J30-37TJW-J	37.5	32.2

Part number	A	B
J30-9ZKW-J	19.8	14.3
J30-15ZKW-J	23.6	18.2
J30-21ZKW-J	27.5	22.0
J30-25ZKW-J	30.0	24.5
J30-31ZKW-J	33.7	28.3
J30-37ZKW-J	37.5	32.2

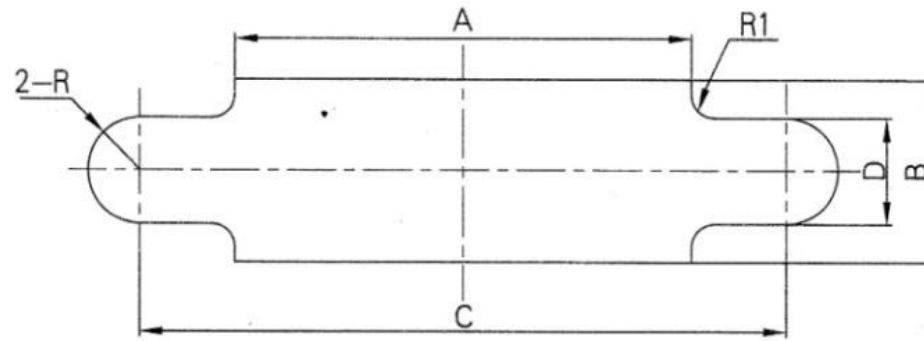
# Plug J30-51TJW-J



# Receptacle J30-51ZKW-J



# J30 Panel hole size



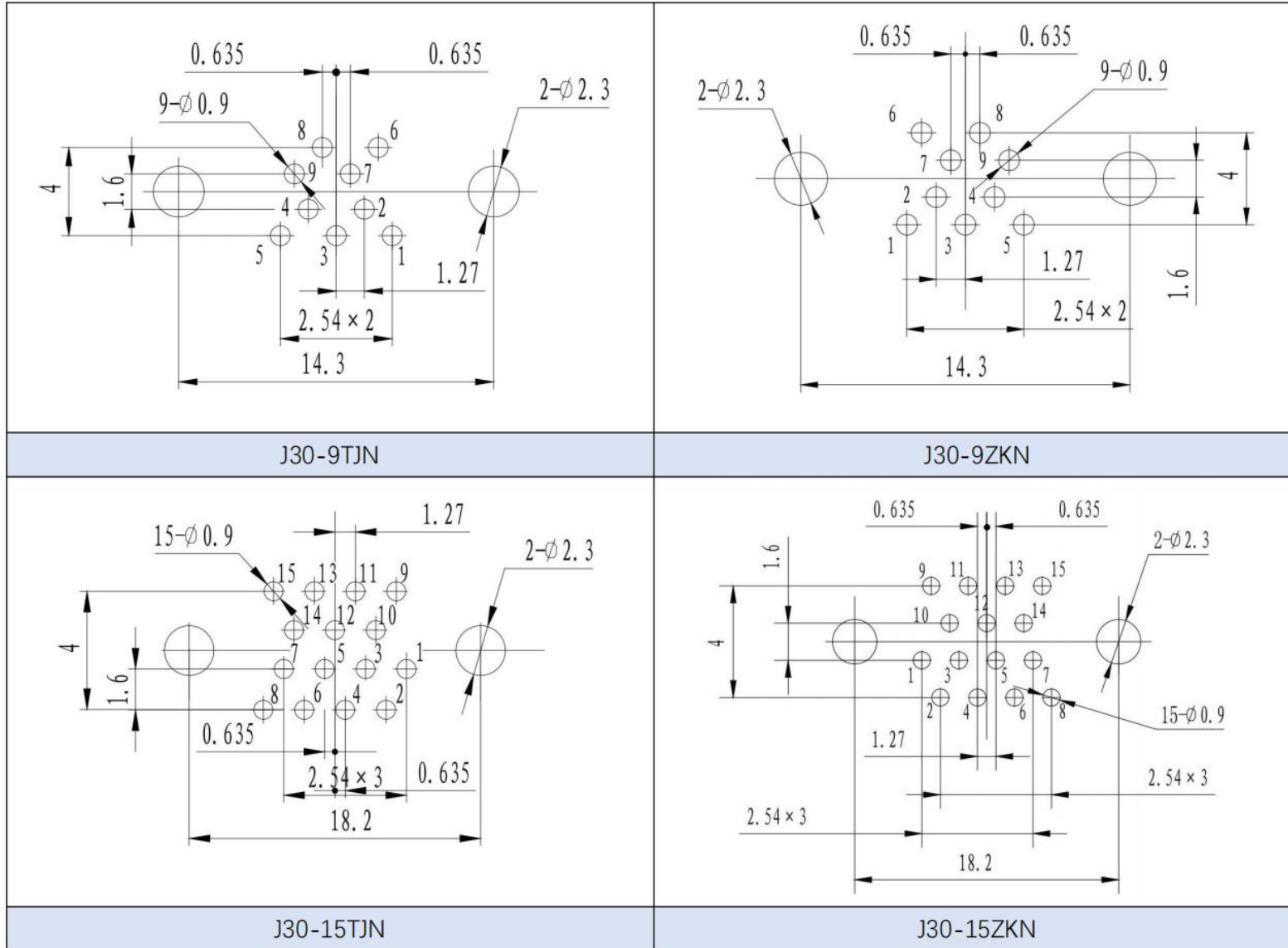
Mark	A	B	C	D
<b>J30-9</b>	10.1	4.6	14.3	2.3
<b>J30-15</b>	14.2	4.6	18.2	2.3
<b>J30-21</b>	17.9	4.6	22.0	2.3
<b>J30-25</b>	20.8	4.6	24.5	2.3
<b>J30-31</b>	24.2	4.6	28.3	2.3
<b>J30-37</b>	28.2	4.6	32.2	2.3

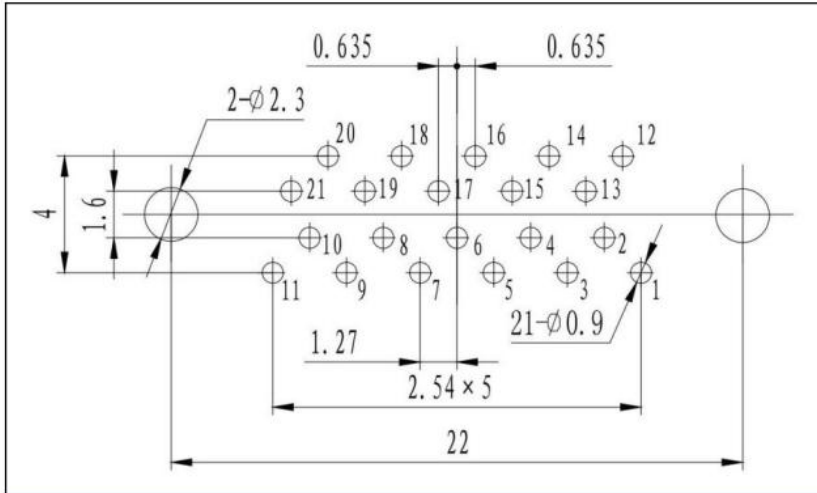


# PCB Hole dimensions

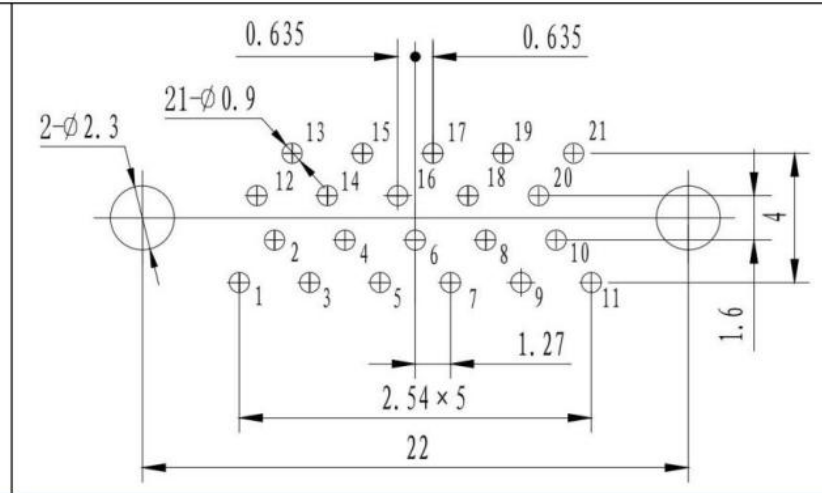
## J30 straight PCB series

Grid Distance: 2.54\*1.6

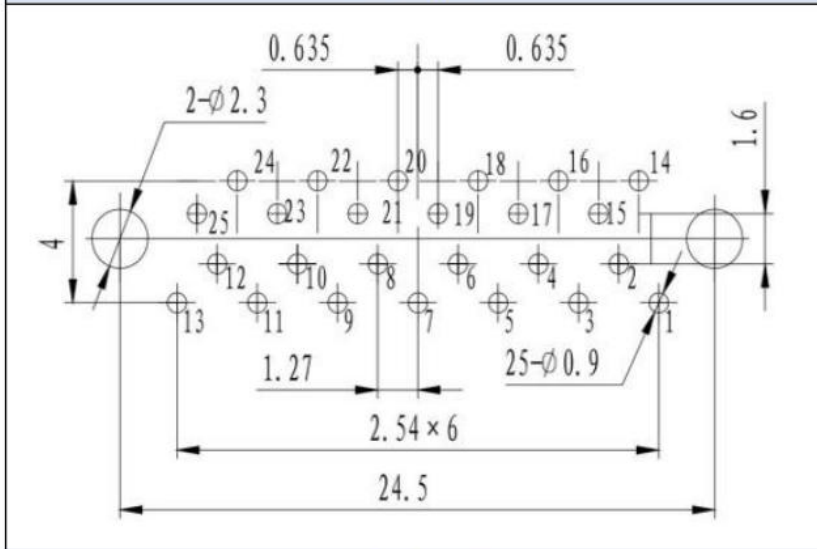




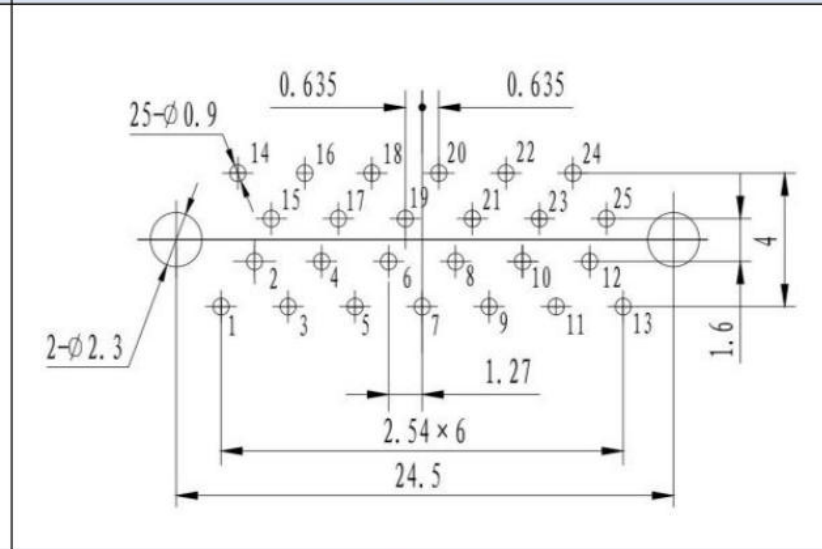
J30-21TJN



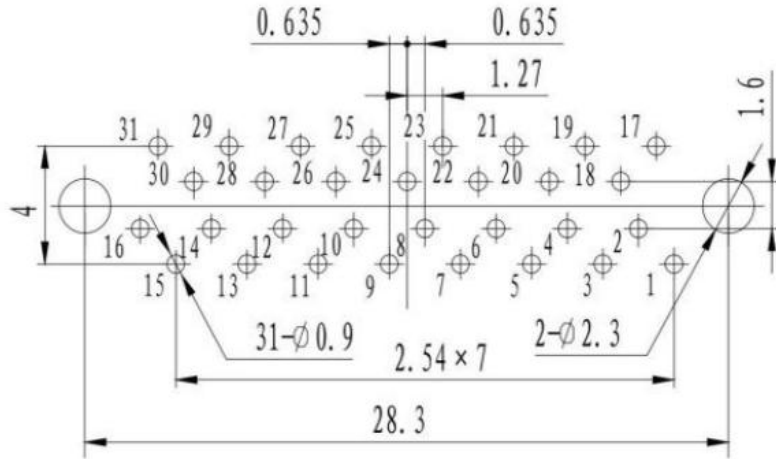
J30-21ZKN



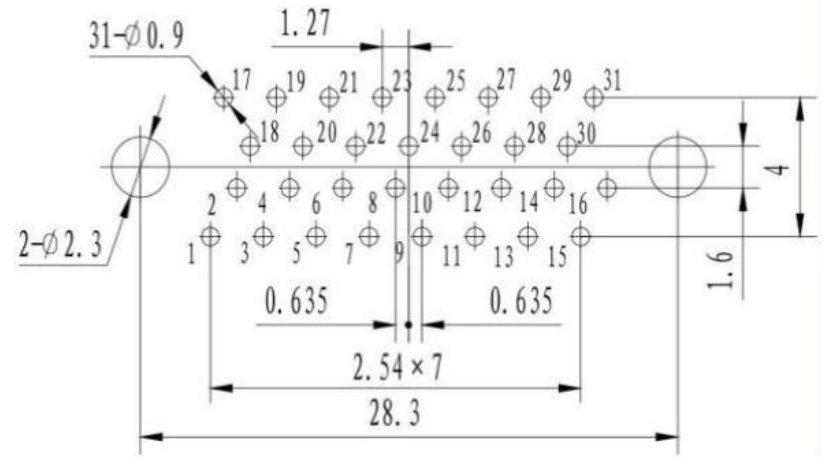
J30-25TJN



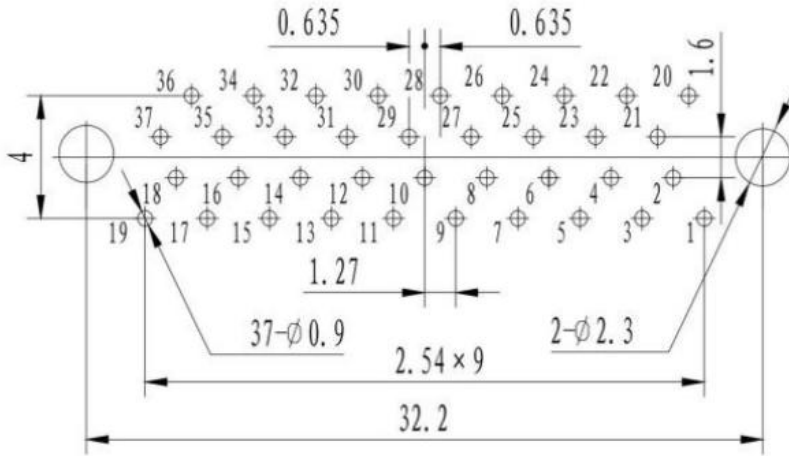
J30-25ZKN



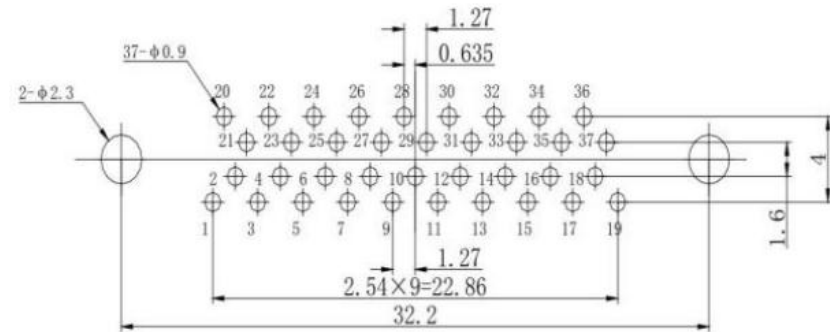
J30-31TJN



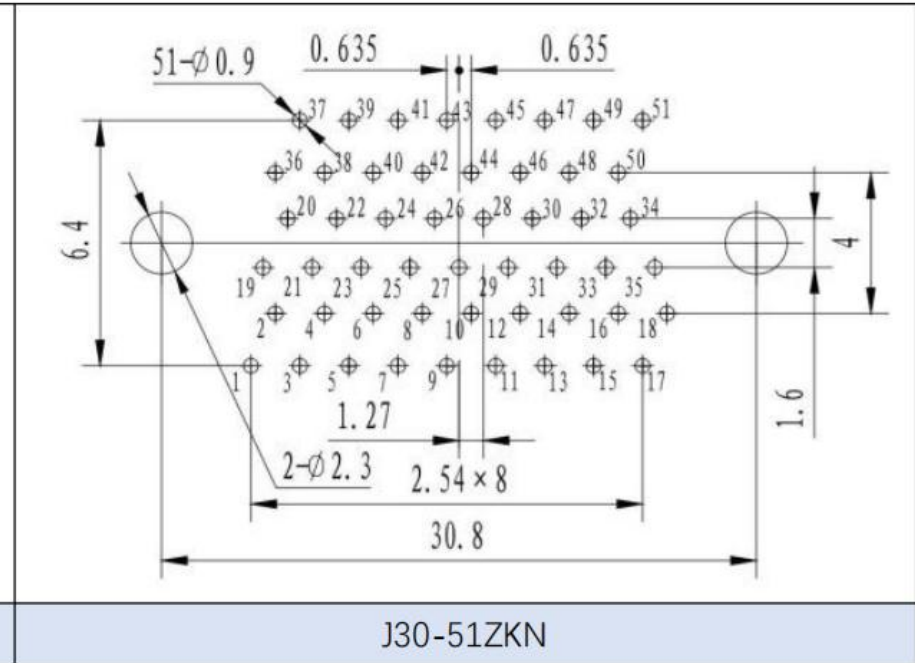
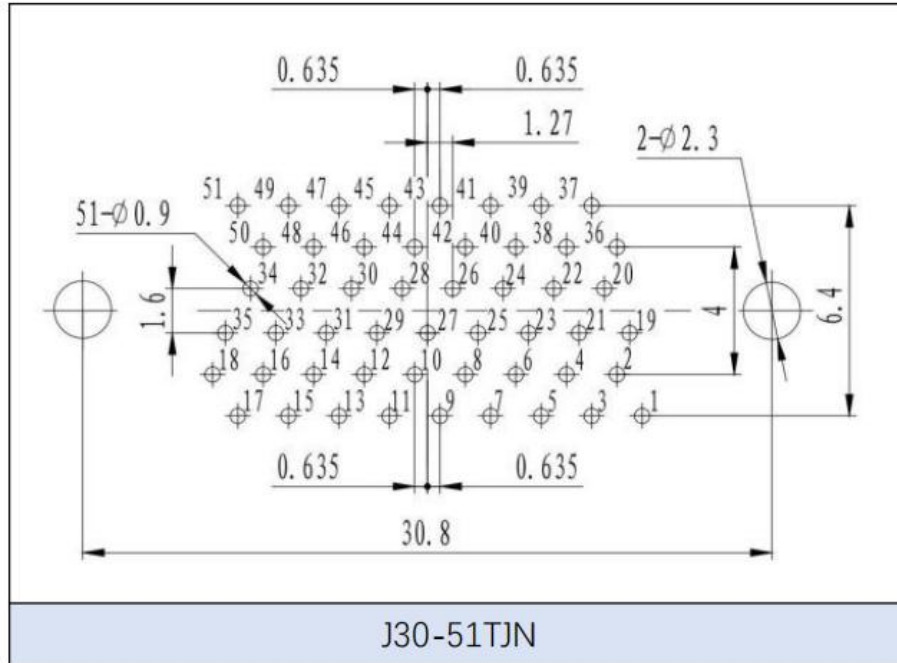
J30-31ZKN



J30-37TJN

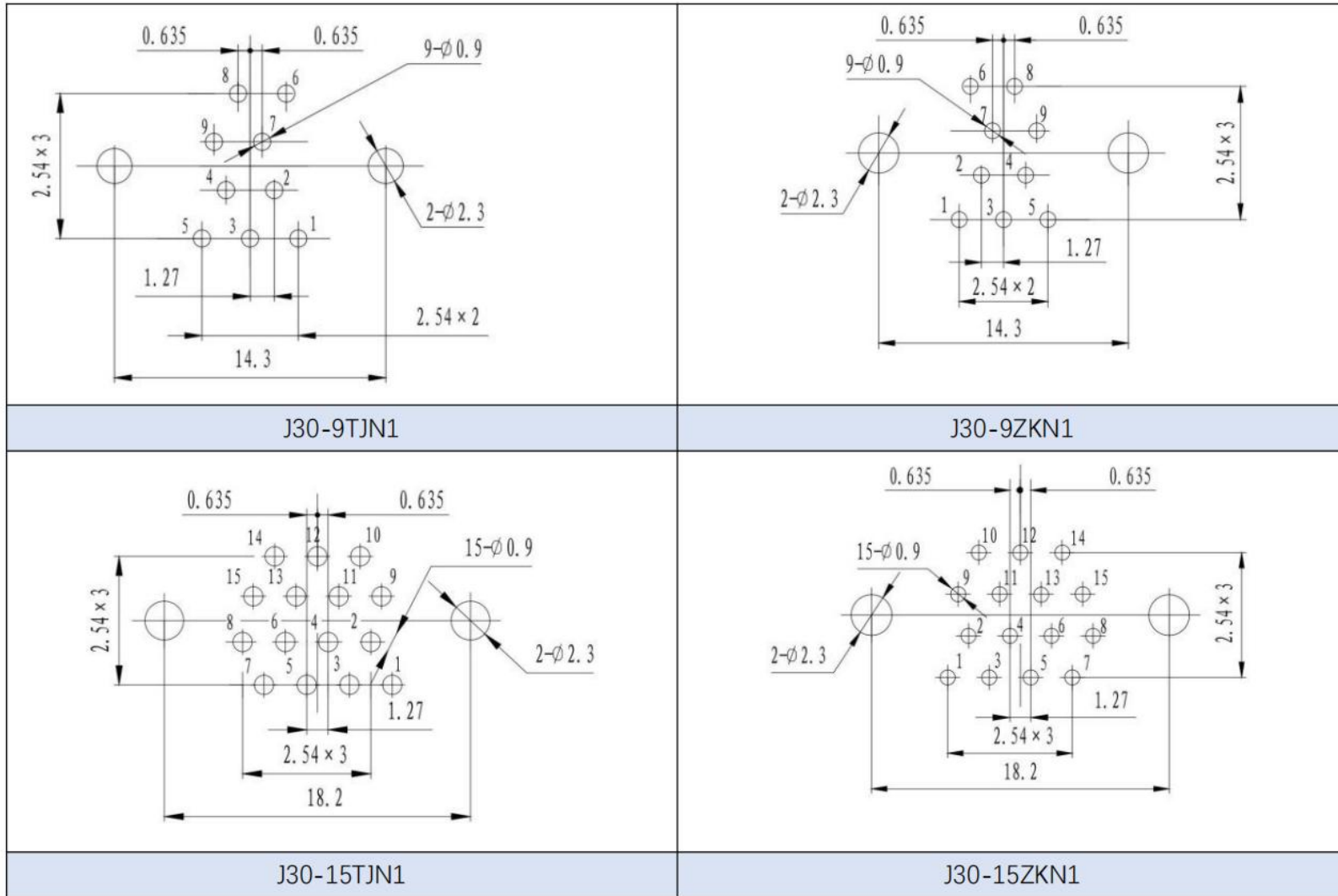


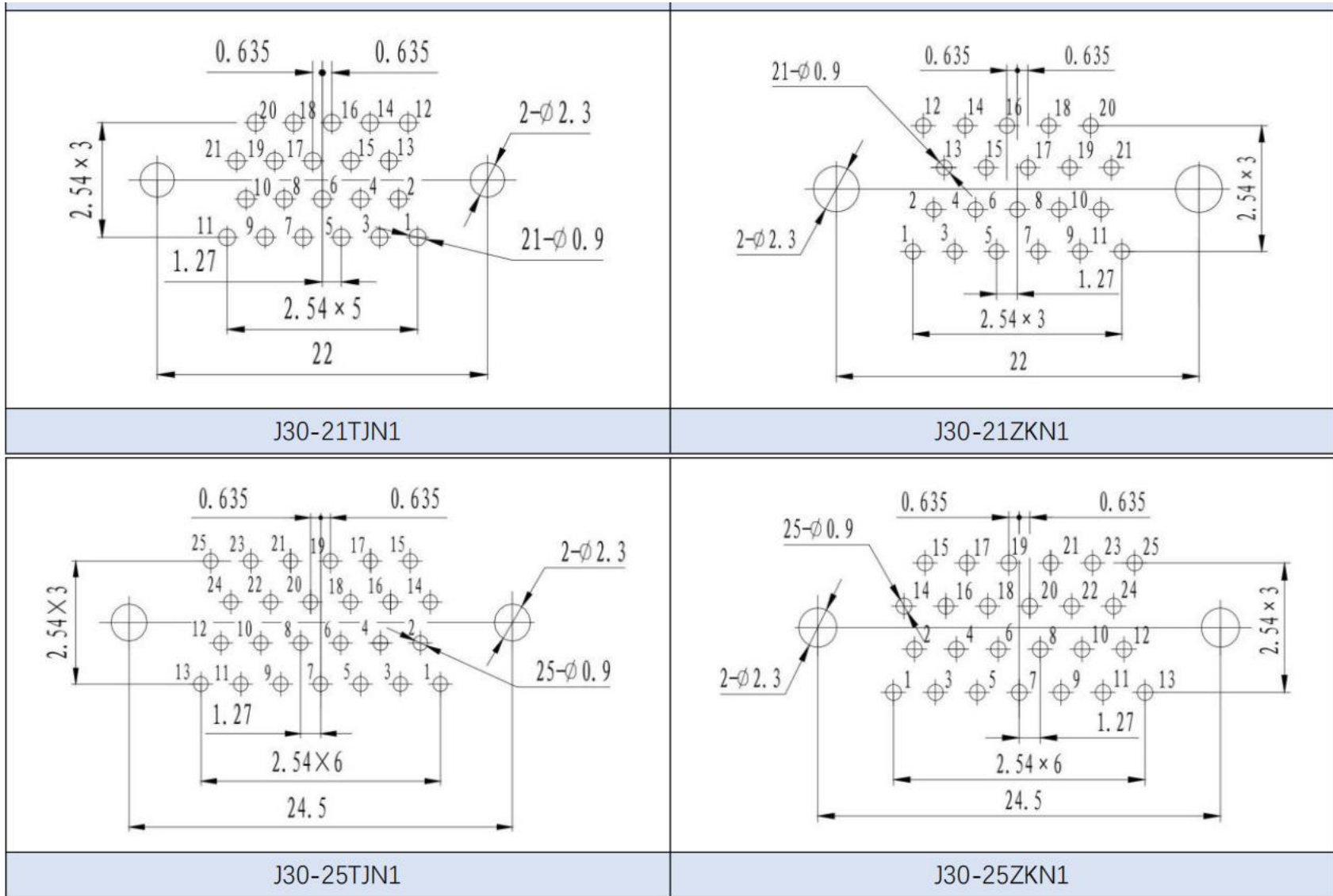
J30-37ZKN



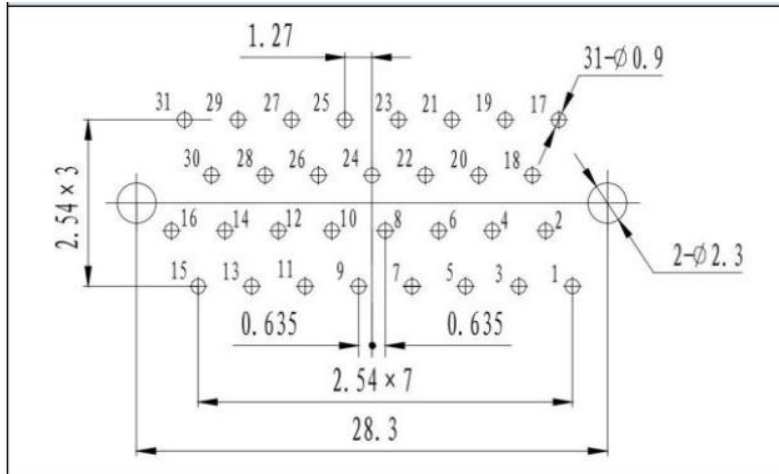
# J30 straight PCB N1 series

Grid Distance: 2.54\*2.54

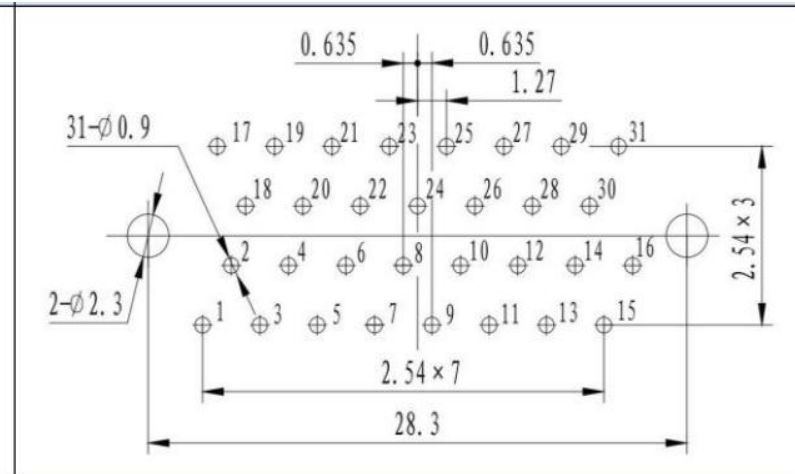




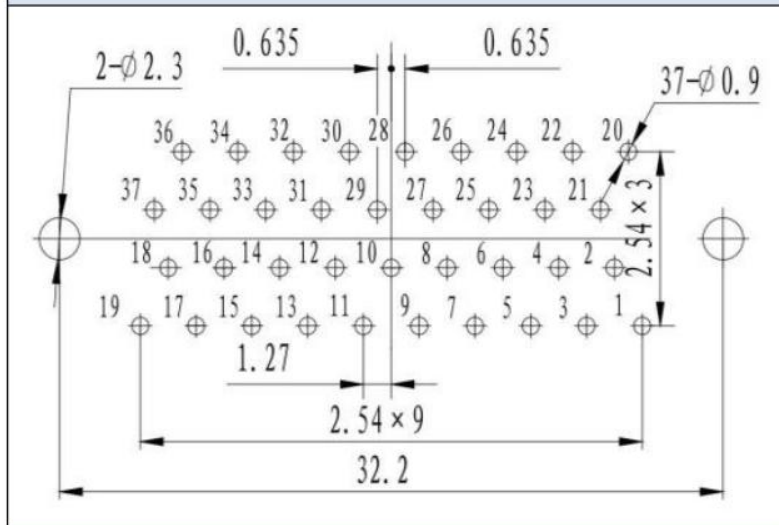




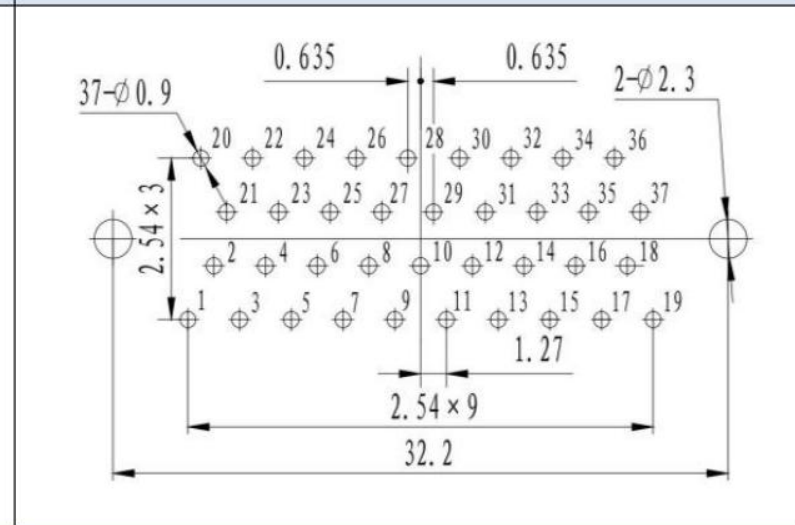
J30-31TJN1



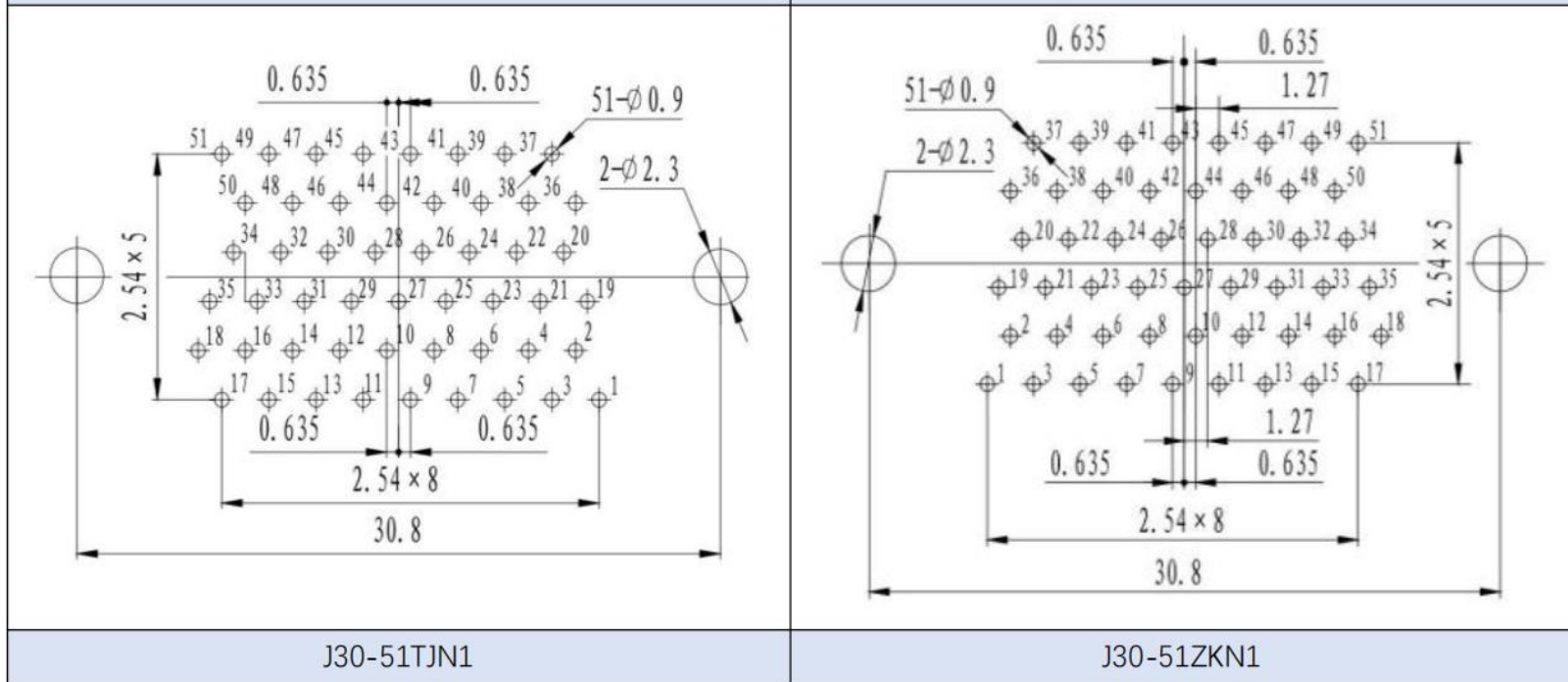
J30-31ZKN1



J30-37TJN1



J30-37ZKN1

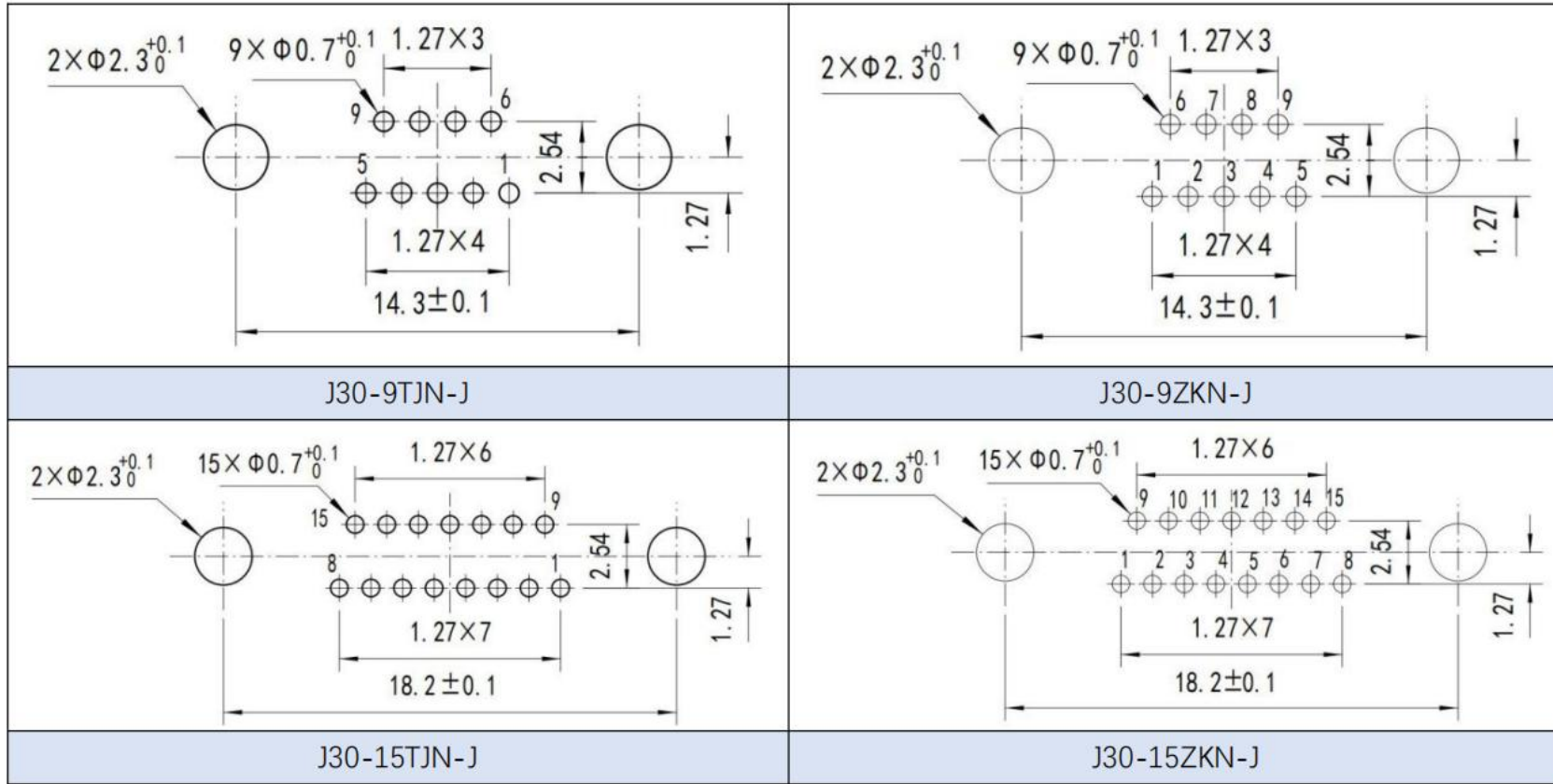


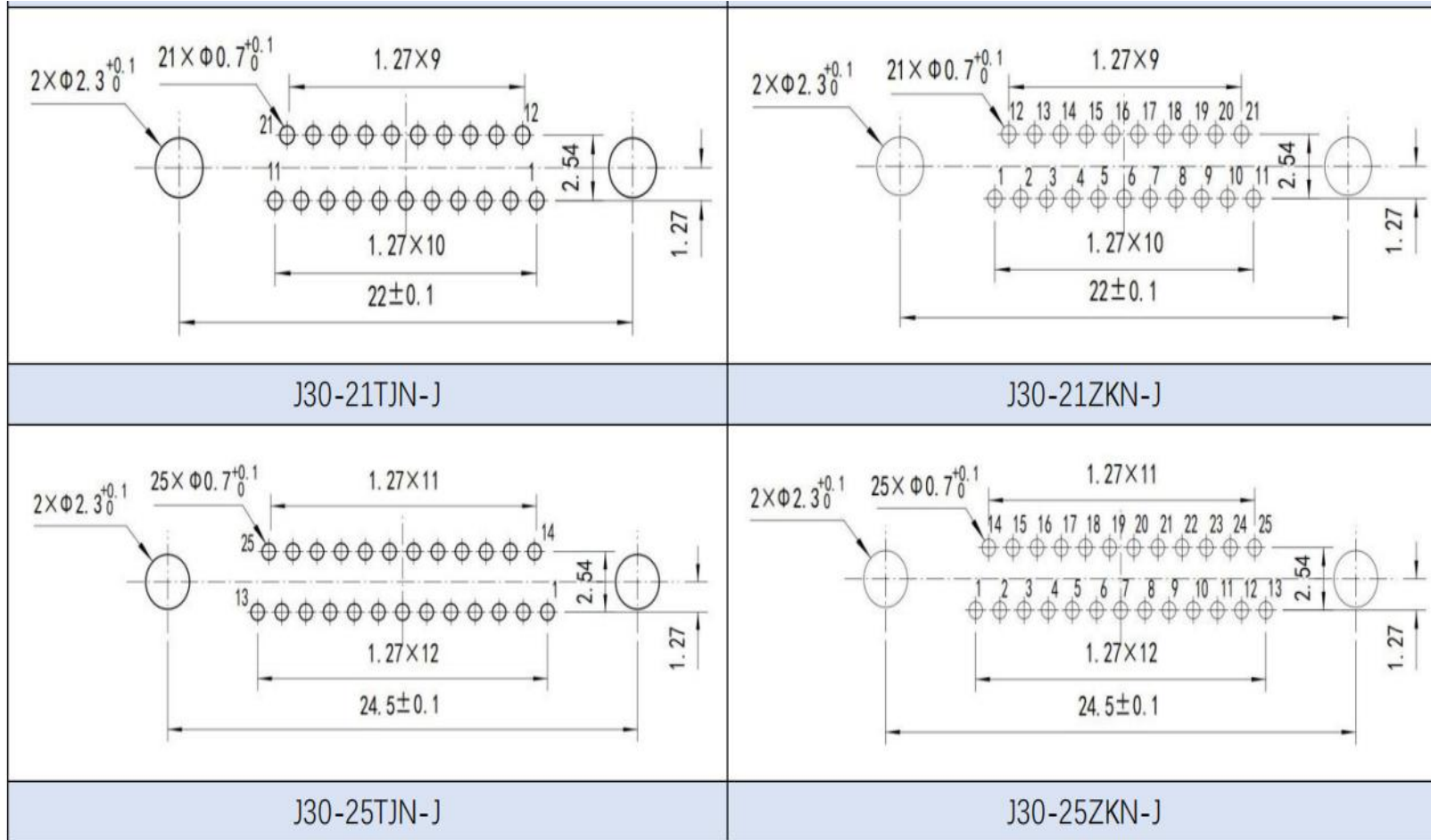
J30-51TJN1

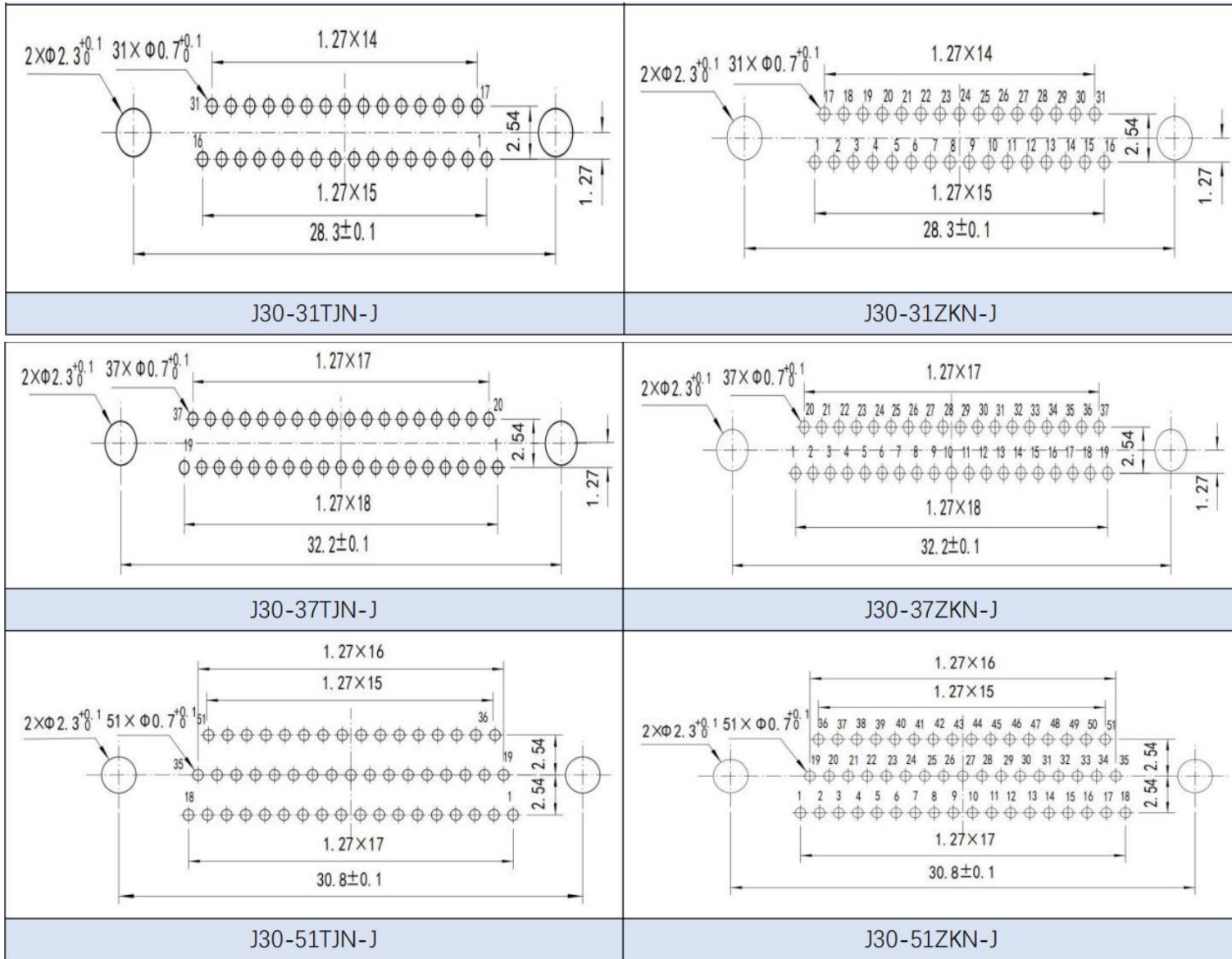
J30-51ZKN1



# J30 straight PCB N-J series



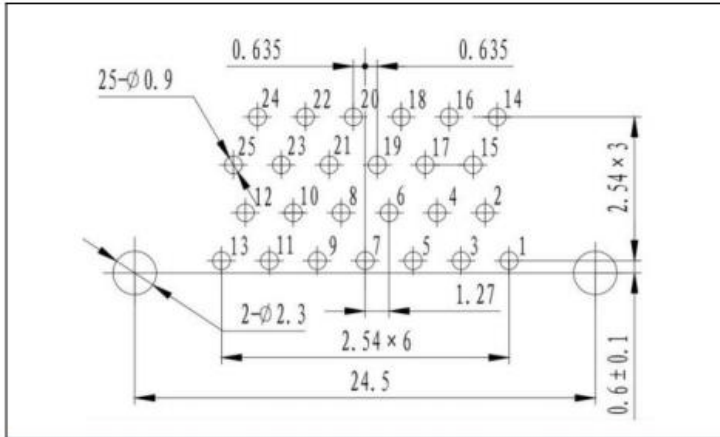




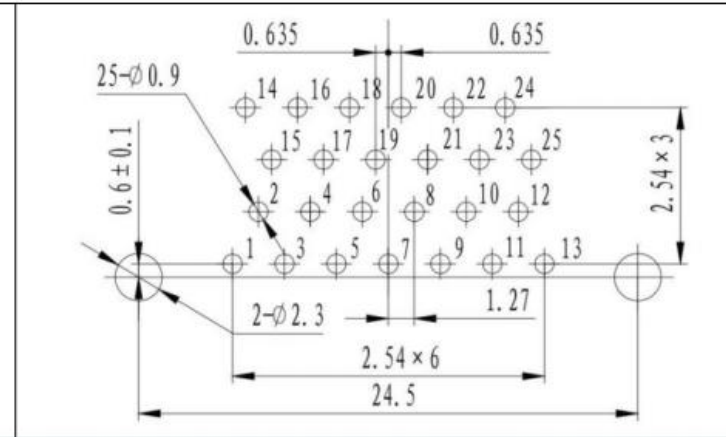
# J30 90° elbow PCB series

## Grid Distance: 2.54\*2.54

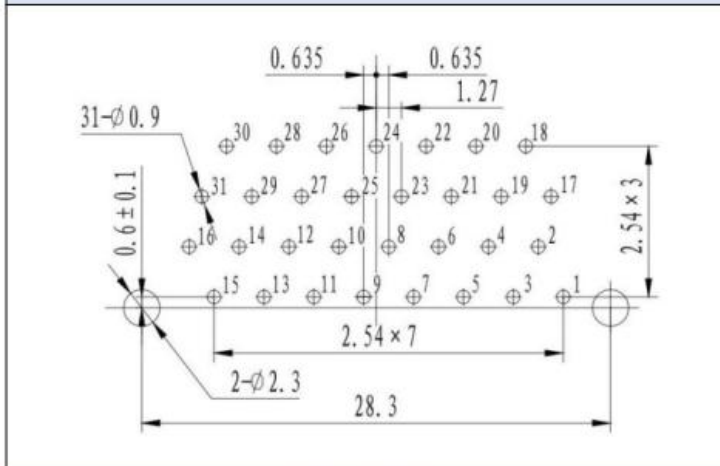
<p>J30-9TJW</p>	<p>J30-9ZKW</p>
<p>J30-15TJW</p>	<p>J30-15ZKW</p>
<p>J30-21TJW</p>	<p>J30-21ZKW</p>



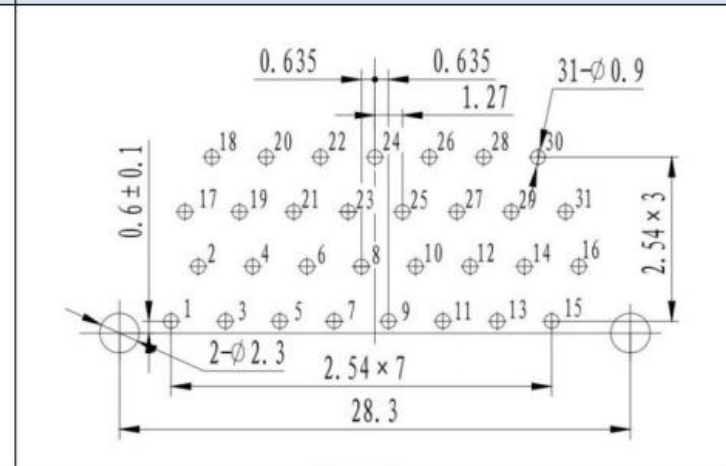
J30-25TJW



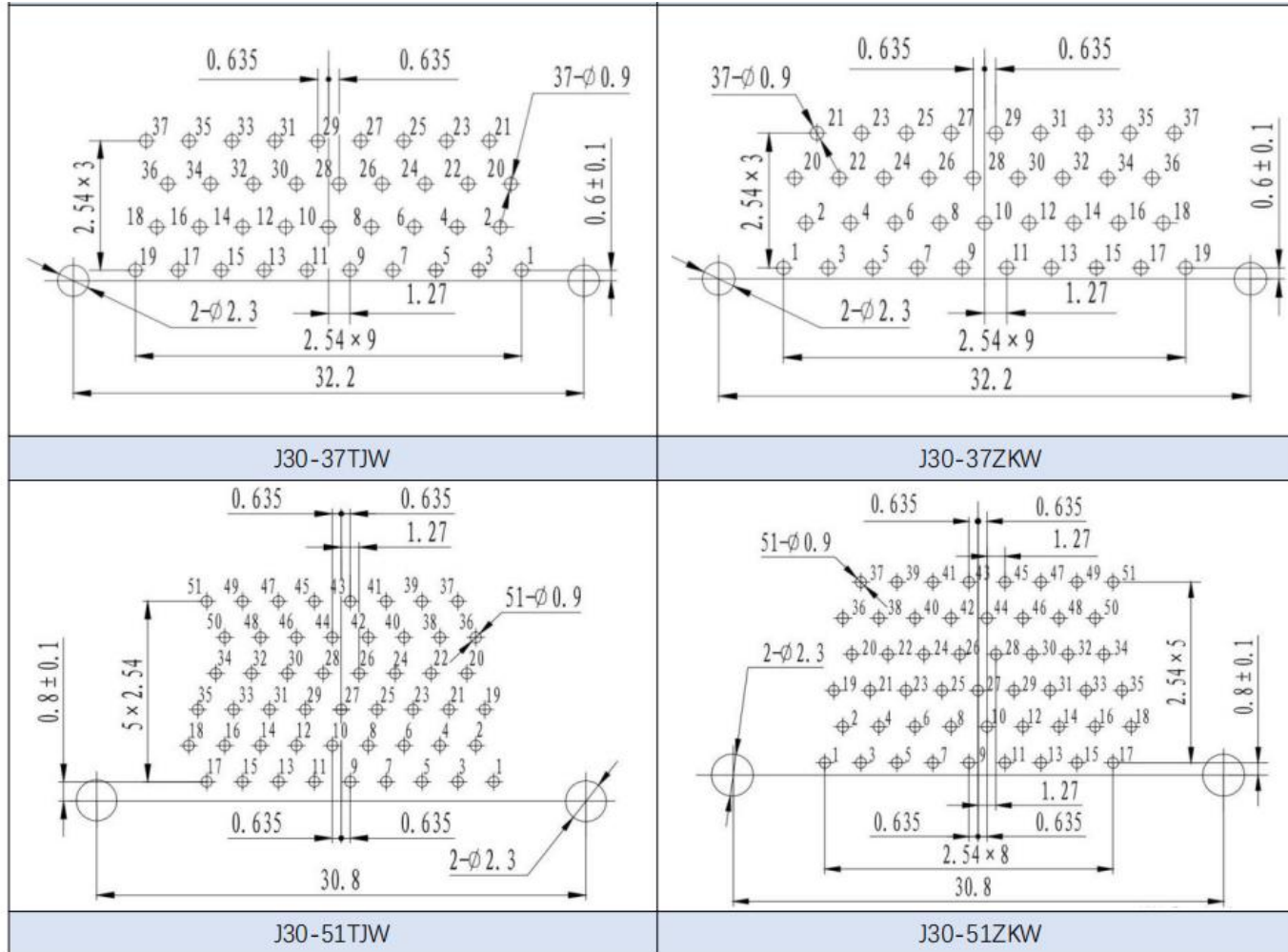
J30-25ZKW



J30-31TJW



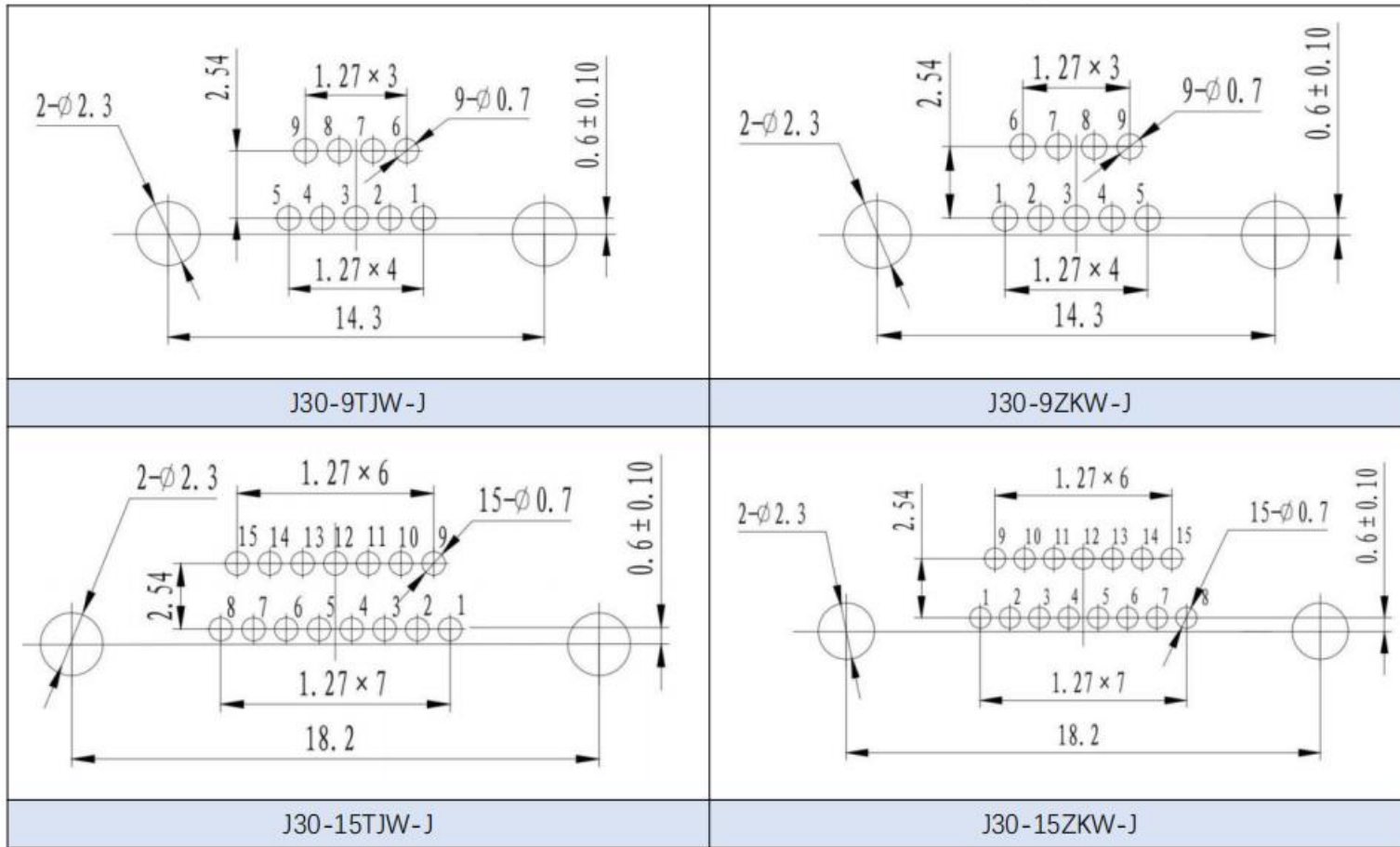
J30-31ZKW

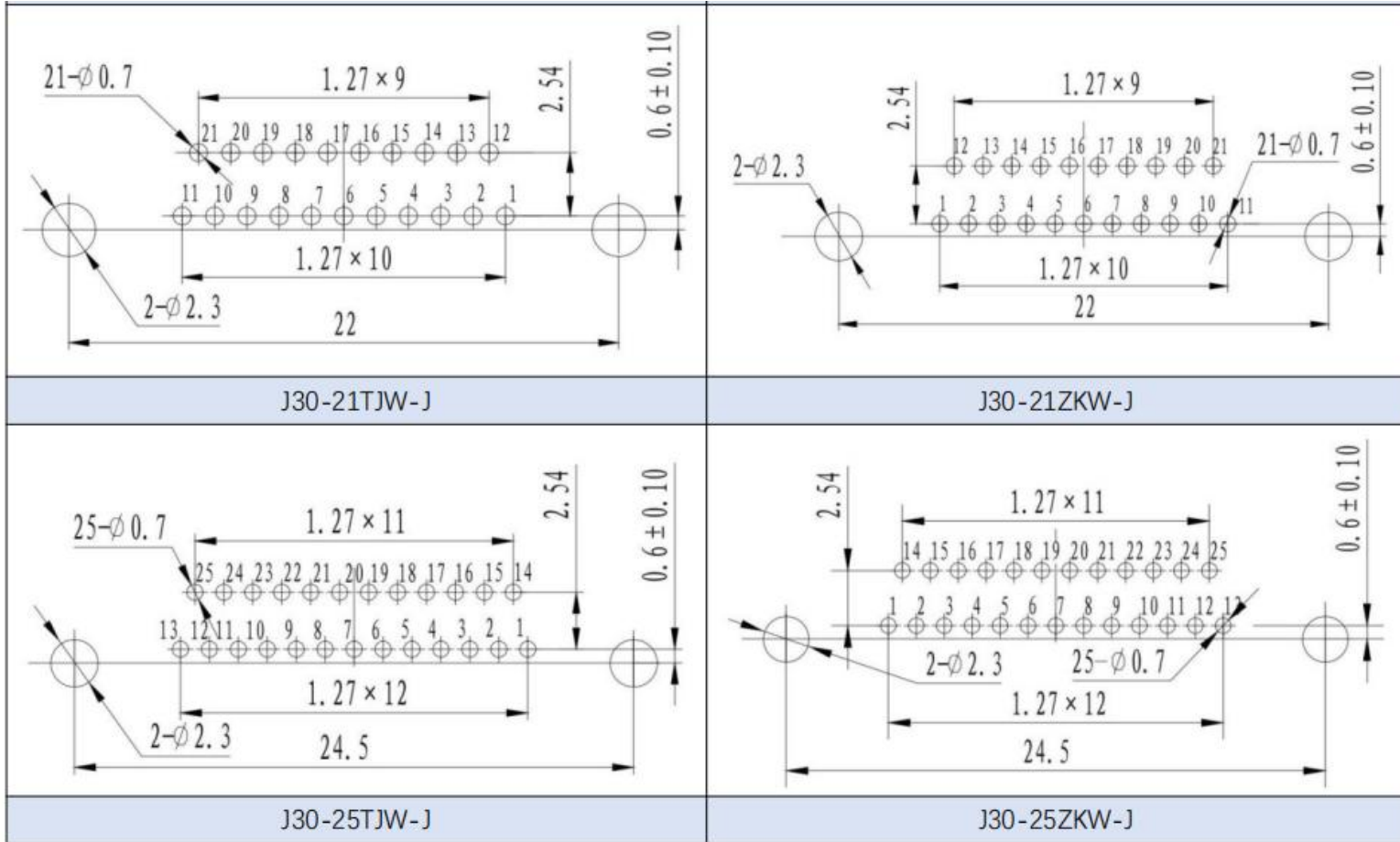




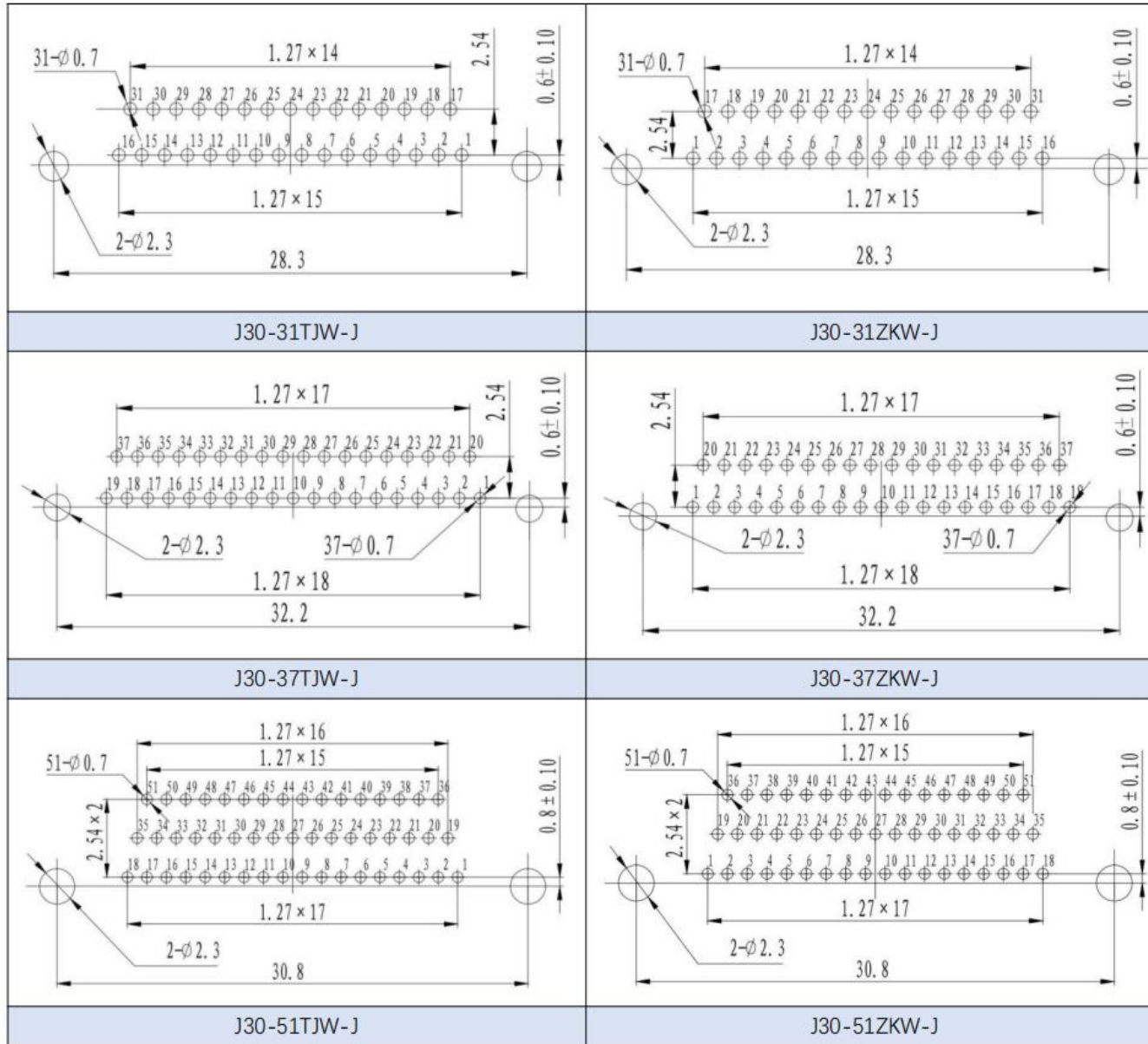
# J30 straight PCB W-J series

Grid Distance: 1.27\*2.54



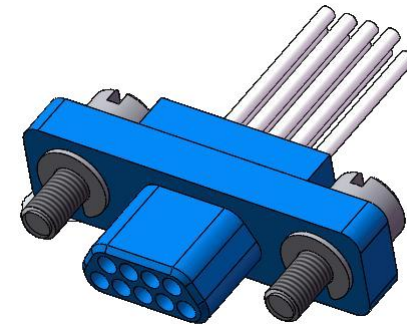
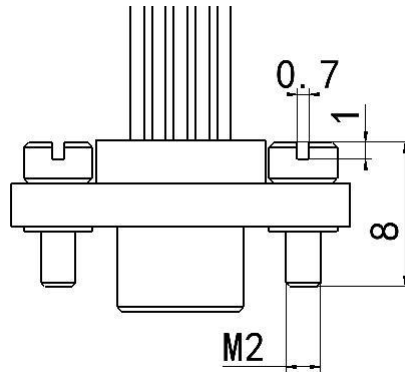




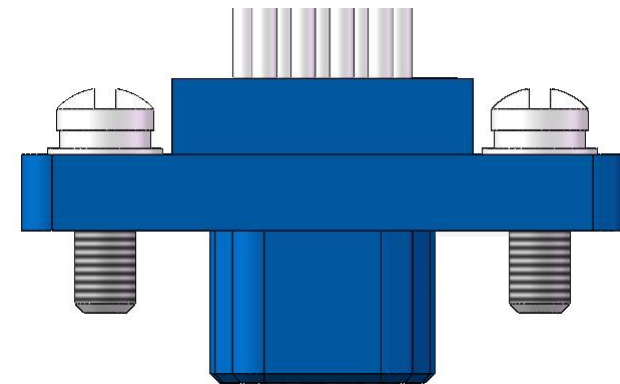
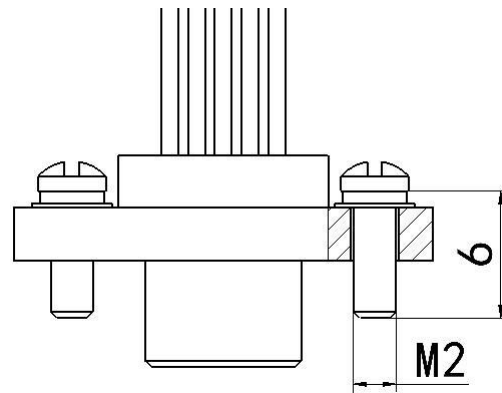


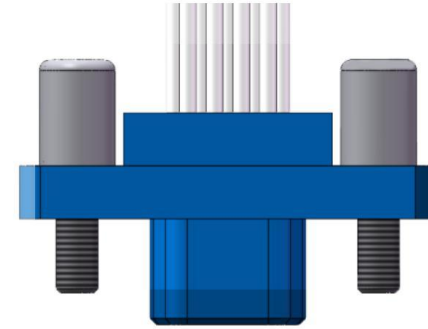
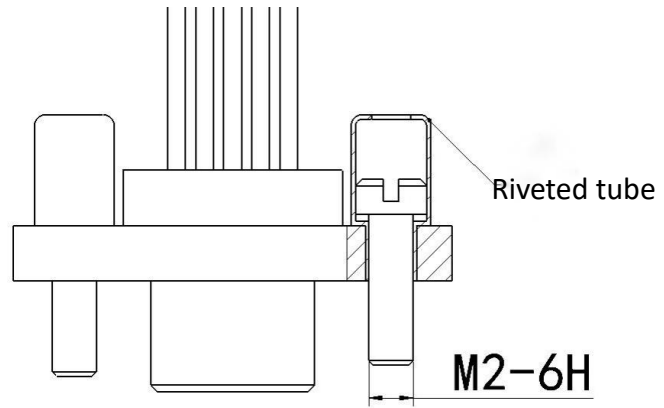
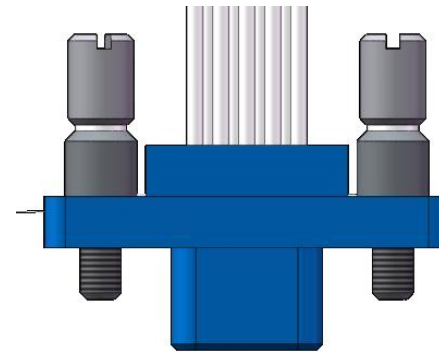
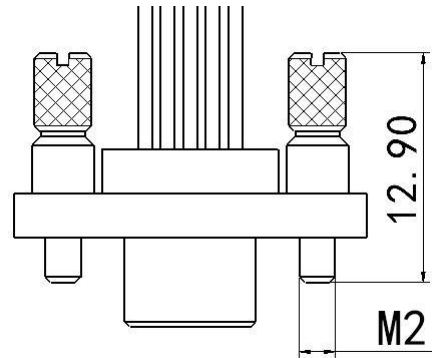
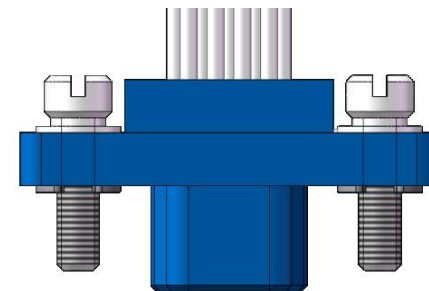
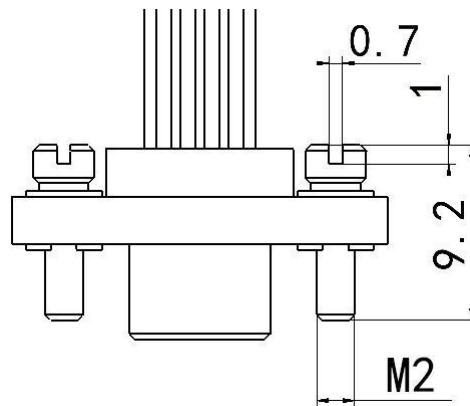
# J30 Series free end locking accessories

**L0 type**



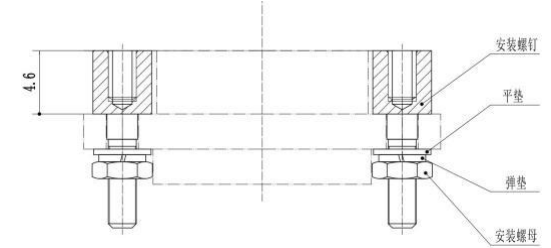
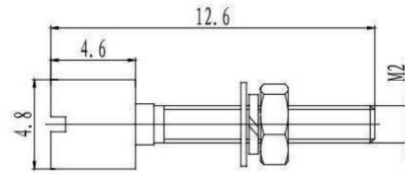
**L1 type**



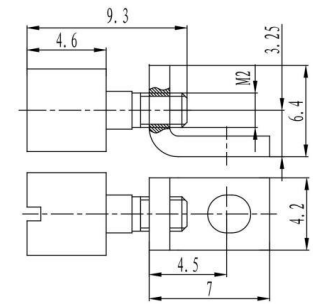
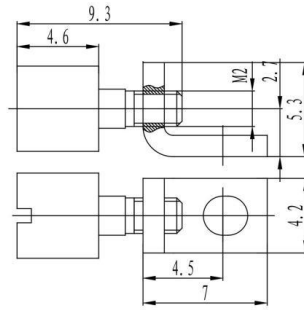
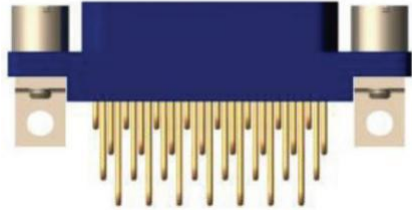
**L1 type****L2 type****L4 type**

# J30 Series fixed end locking accessories

P type



P1 type



9~37 Contacts

51 Contacts

P2 type

