



INNOVATE / COOPERATION / WIN-WIN

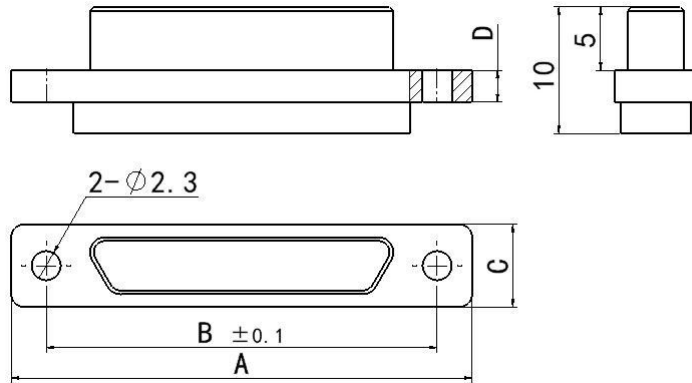


***J30 SERIES
RECTANGLE ELECTRICAL CONNECTOR
PRODUCT INTRODUCTION***

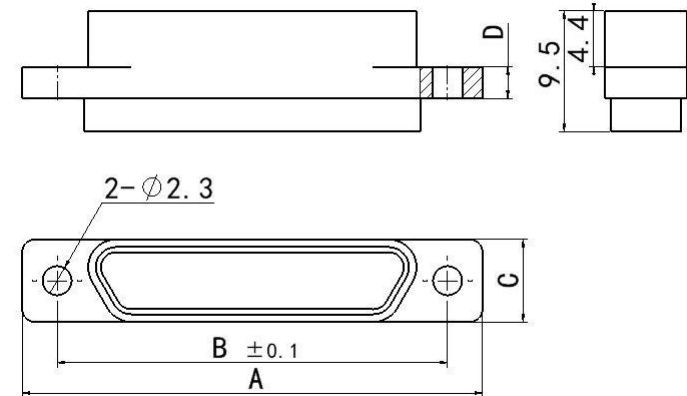
J30 crimp series

Grid Distance: 1.27*2.54

J30-9、15、21、25、31、37、51TJ Plug



J30-9、15、21、25、31、37、51ZK Receptacle



Part number	A	B	C	D
J30-9TJ	19.8	14.3	2.5	5.4
J30-15TJ	23.6	18.2	2.5	5.4
J30-21TJ	27.5	22.0	2.5	5.4
J30-25TJ	30.0	24.5	2.5	5.4
J30-31TJ	33.7	28.3	2.5	5.4
J30-37TJ	37.5	32.2	2.5	5.4
J30-51TJ	36.3	30.8	2.3	6.5

Part number	A	B	C	D
J30-9ZK	19.8	14.3	2.5	5.4
J30-15ZK	23.6	18.2	2.5	5.4
J30-21ZK	27.5	22.0	2.5	5.4
J30-25ZK	30.0	24.5	2.5	5.4
J30-31ZK	33.7	28.3	2.5	5.4
J30-37ZK	37.5	32.2	2.5	5.4
J30-51ZK	36.3	30.8	2.3	6.5