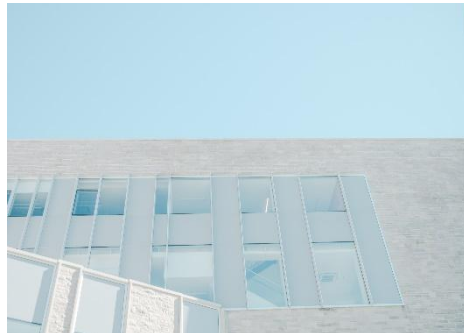




INNOVATE / COOPERATION / WIN-WIN



***MIL-DTL-83513 Micro-D
MILITARY STYLE CONNECTORS***

PRODUCT INTRODUCTION

MIL-DTL-83513 Micro-D Connectors

MIL-DTL-83513, (formerly MIL-C-83513) describes polarized shell, micro-miniature, rectangular electrical connectors with solder or non-removable crimp contacts. Featuring of high current capability, low contact resistance, high dielectric strength and excellent resistance to shock and vibration, while offering a high pin density, small size and lightweight body, the MIL DTL 83513 connector meet the severe requirements of different applications and harsh environments, which is mechanically robust and durable. The connector is often referred to as a Micro-D connector system, which can be applied to a multitude of systems including aerospace avionics, radars, advanced soldier technology systems, military Global Positioning Systems, medical devices and down-hole drilling tools, etc., in which weight, miniaturization or signal transmission integrity are paramount.

Performance Specifications

Temperature: -55 oC ~ +125 oC Relative humidity: at 40 oC, 95%

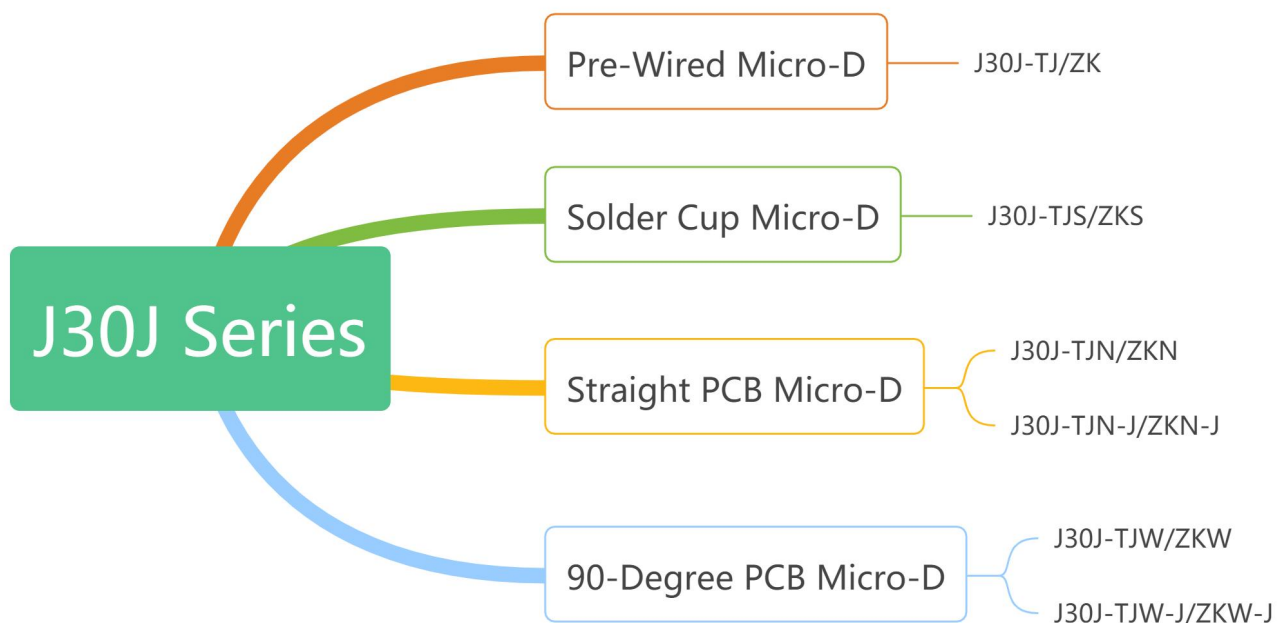
Vibration: at 10 Hz ~ 2000 Hz, acceleration 196 m/s² Shock: 735 m/s²

Acceleration: 735 m/s² Rated current: 3 A

Contact resistance: ≤ 10 MΩ Insulation resistance: ≥ 5000 MΩ

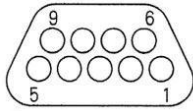
Dielectric strength: 800 V Endurance: ≥ 500 cycles

Product family tree

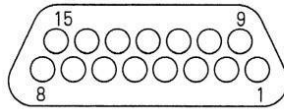


3.Contact layout

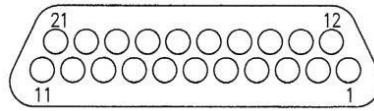
9 Contacts



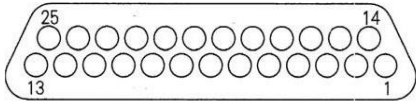
15 Contacts



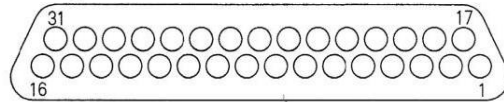
21 Contacts



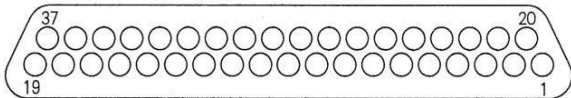
25 Contacts



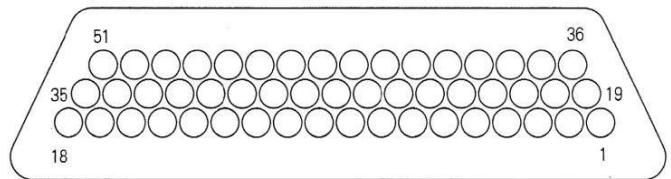
31 Contacts



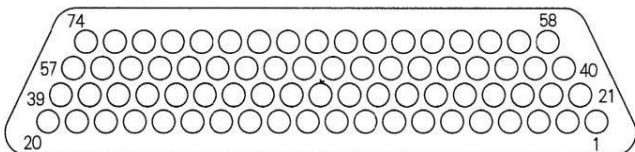
37 Contacts



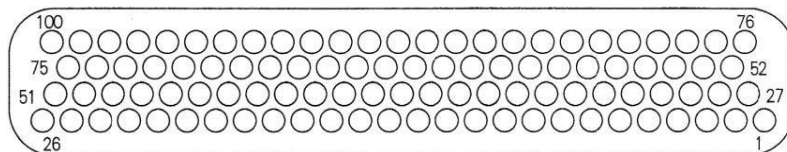
51 Contacts



74 Contacts



100 Contacts



How to Build Your Connector Part Number

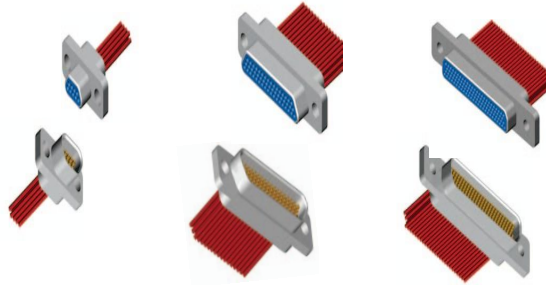
J30J - 9 T J S x G A
 ① ② ③ ④ ⑤ ⑥ ⑦ ⑧

- ① **Basic series :J30J**
- ② **Contact Layout**
9, 15, 21, 25, 31, 37, 51,66, 74, 100
- ③ **Type of connector**
T= Plug
Z = Receptacle
- ④ **Contact Style**
J=Pin, K = Socket
- ⑤ **Type of termination**
Omit = Crimp
S = Solder
N = Straight PCB
W =90-Degree PCB
- ⑥ **Type of locking accessory**
See below
- ⑦ **Finish**
Omit = Nickel plating
G = Cadmium plating
- ⑧ **Modification**
A = Back shell with shielding cable clamp
D = Flange connecting position with avoid-turn
J = Grid Distance of PCB is 1.27×2.54
Q = Flange of shell broadening

Note: Additional instructions are not part of the order mark. Please indicate the specifications of crimped wires in brackets when selecting, such as cross-sectional area, length and color of wires. If there is a special connection requirement, please give the connection relationship.

MIL-DTL-83513 Micro-D Connectors

Pre-Wired Micro-D J30J-TJ&J30J-ZK



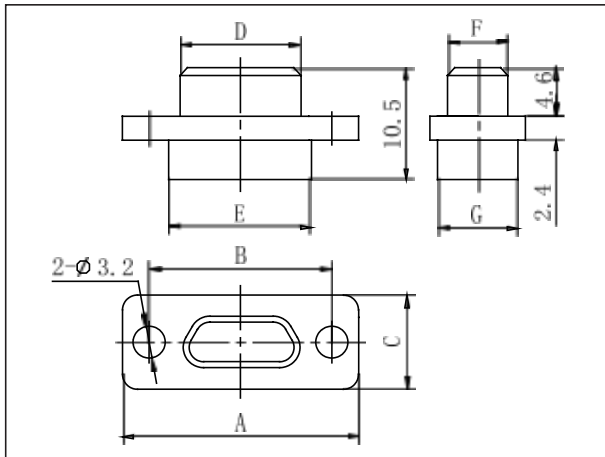
Description

The pre-wired M83513/03 and M83513/04 Micro-D connectors make installation easy. A variety of wire types and lengths are available pre-installed from the factory. In addition, there are four hardware options to choose from, depending on mounting requirements.

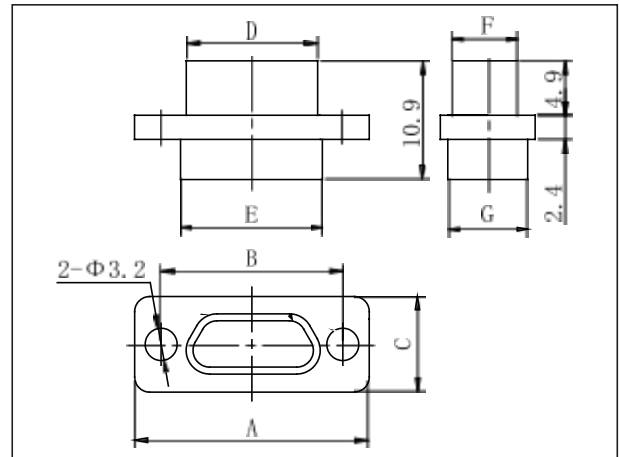
Cross-Reference & Compatibility

Compatible Brands	Equivalents
MIL-DTL-83513 Micro-D	M83513/03, M83513/04
Glenair	MWDM
Amphenol	Series 100
ITT Cannon	MDM Series

Dimensions



J30J- □ TJ



J30J- □ ZK

Part number	A	B	C	D	E	F	G
J30J-9TJ	19.6	14.3	7.6	8.3	9.9	4.7	6.8
J30J-15TJ	23.5	18.2	7.6	12.3	13.8	4.7	6.8
J30J-21TJ	27.4	22	7.6	16	17.6	4.7	6.8
J30J-25TJ	29.8	24.5	7.6	18.6	20.2	4.7	6.8
J30J-31TJ	33.6	28.3	7.6	22.4	24	4.7	6.8
J30J-37TJ	37.4	32.2	7.6	26.3	27.8	4.7	6.8
J30J-51TJ	36.4	30.86	8.7	25	26.6	5.8	7.9
J30J-66TJ	42.9	37.3	8.7	31.4	33	5.8	7.9
J30J-74TJ	38.8	33.5	9.7	27.5	29.1	6.8	9.1
J30J-100TJ	54.7	45.7	9.7	35	36.6	6.8	9.1
J30J-144TJ	66.6	58.6	9.7	49	50.6	6.8	9.1
J30J-9ZK	19.6	14.3	7.6	9.8	9.9	6.1	6.8
J30J-15ZK	23.5	18.2	7.6	13.7	13.8	6.1	6.8
J30J-21ZK	27.4	22	7.6	17.4	17.6	6.1	6.8
J30J-25ZK	29.8	24.5	7.6	20	20.2	6.1	6.8
J30J-31ZK	33.6	28.3	7.6	23.8	24	6.1	6.8
J30J-37ZK	37.4	32.2	7.6	27.7	27.8	6.1	6.8
J30J-51ZK	36.4	30.86	8.7	26.5	26.6	7.2	7.9
J30J-66ZK	42.9	37.3	8.7	32.9	33	7.2	7.9
J30J-74ZK	38.8	33.5	9.7	29	29.1	8.2	9.1
J30J-100ZK	54.7	45.7	9.7	36.6	36.65	8.2	9.1
J30J-144ZK	66.6	58.6	9.7	50.6	50.7	8.2	9.1

Solder Cup Micro-D J30J-TJS & J30J-ZKS



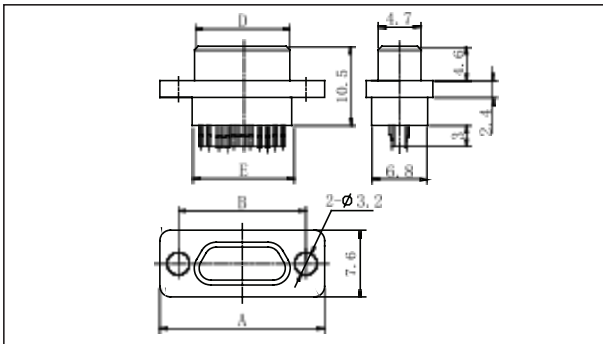
Description

The M83513/01 style Micro-D connector features solder cups for wire terminations. The connector has pin contacts for mating with other M83513 connectors with sockets. Space-grade connector versions are available for satellite and other space applications.

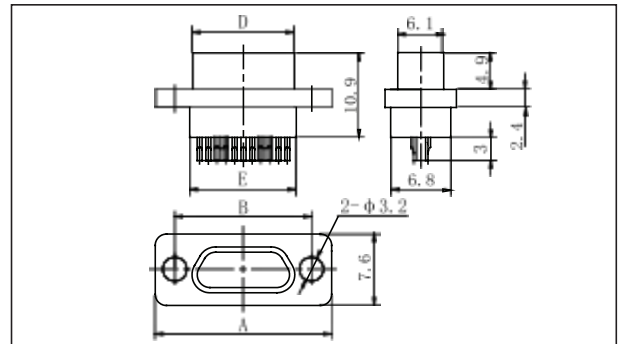
Cross-Reference & Compatibility

Compatible Brands	Equivalents
MIL-DTL-83513 Micro-D	M83513/01
Glenair	MWDM
Amphenol	Series 100
ITT Cannon	MDM Series

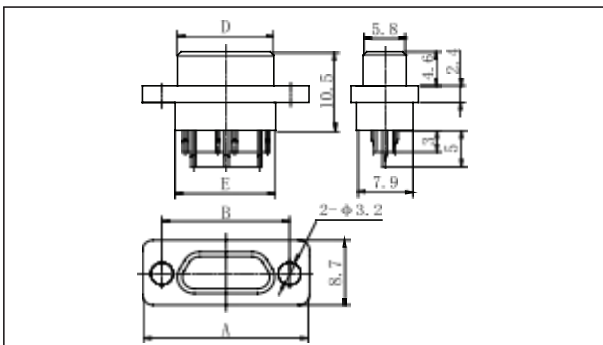
Dimensions



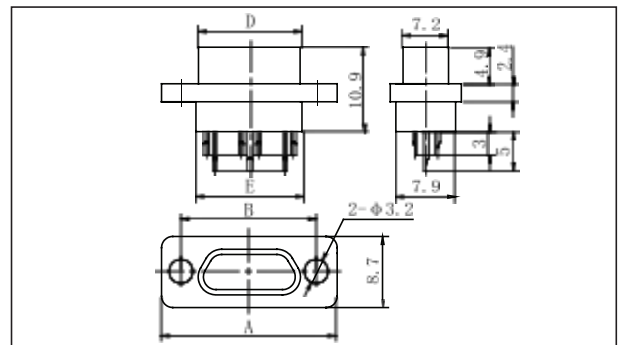
J30J-9~37TJS



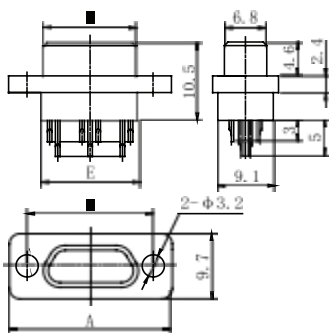
J30J-9~37ZKS



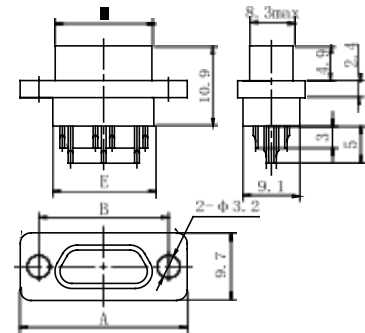
J30J-51, 66TJS



J30J-51, 66ZKS



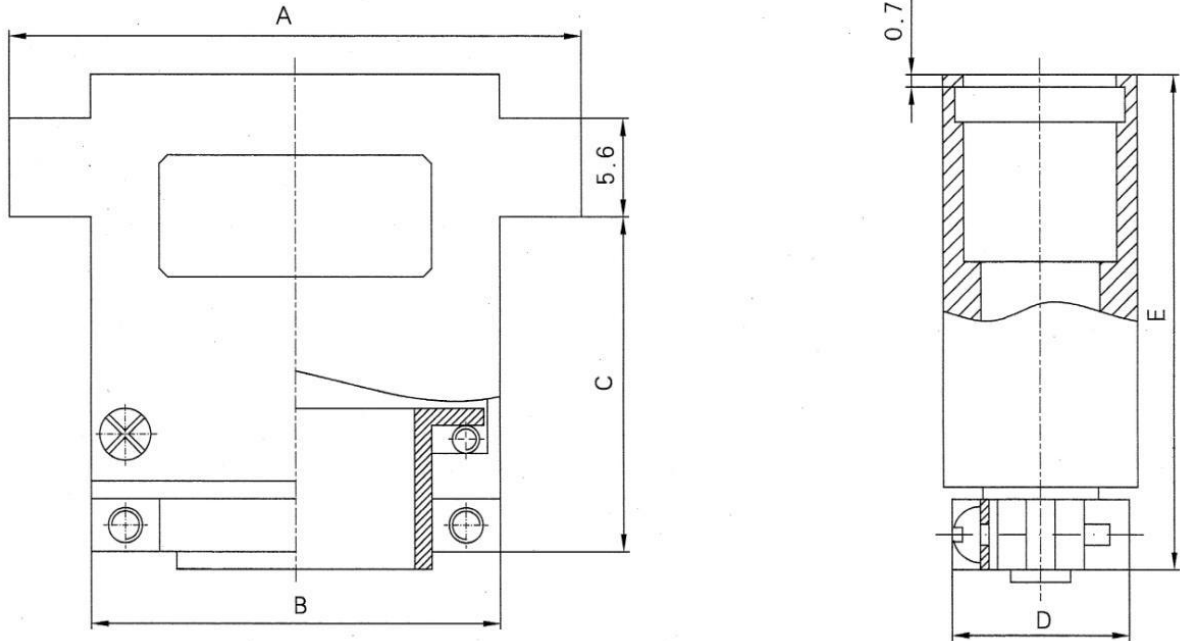
J30J-74, 100, 144TJS



J30J-74, 100, 144ZKS

Part number	A	B	D		E
J30J-9TJS/ZKS	19.6	14.3	8.3 (TJS)	9.8 (ZKS)	9.9
J30J-15TJS/ZKS	23.5	18.2	12.3 (TJS)	13.7 (ZKS)	13.8
J30J-21TJS/ZKS	27.4	22	16 (TJS)	17.4 (ZKS)	17.6
J30J-25TJS/ZKS	29.8	24.5	18.6 (TJS)	20 (ZKS)	20.2
J30J-31TJS/ZKS	33.6	28.3	22.4 (TJS)	23.8 (ZKS)	24
J30J-37TJS/ZKS	37.4	32.2	26.3 (TJS)	27.7 (ZKS)	27.8
J30J-51TJS/ZKS	36.4	30.86	25 (TJS)	26.5 (ZKS)	26.6
J30J-66TJS/ZKS	42.9	37.3	31.4 (TJS)	32.9 (ZKS)	33
J30J-74TJS/ZKS	38.8	33.5	27.5 (TJS)	29 (ZKS)	29.1
J30J-100TJS/ZKS	54.7	45.7	35 (TJS)	36.6 (ZKS)	36.6
J30J-144TJS/ZKS	66.6	58.6	49 (TJS)	50.6 (ZKS)	50.7

Size of A3 clamp



Type (Cores)	A	B	C	D	E	Type (Cores)	A	B	C	D	E
9	19.6	9.9	18.2	10.4	27	37	37.4	27.8	19.2	10.4	28
15	23.5	13.8	18.2	10.4	27	51	36.4	26.6	21.2	11.2	30
21	27.4	17.6	19.2	10.4	28	66	42.9	33.0	21.2	11.2	30
25	29.8	20.2	19.2	10.4	28	74	38.8	29.1	21.2	12.0	30
31	33.6	24.0	19.2	10.4	28	100	54.7	40.7	21.2	12.0	30

Straight PCB Micro-D **J30J-TJN & J30J-ZKN**



Description

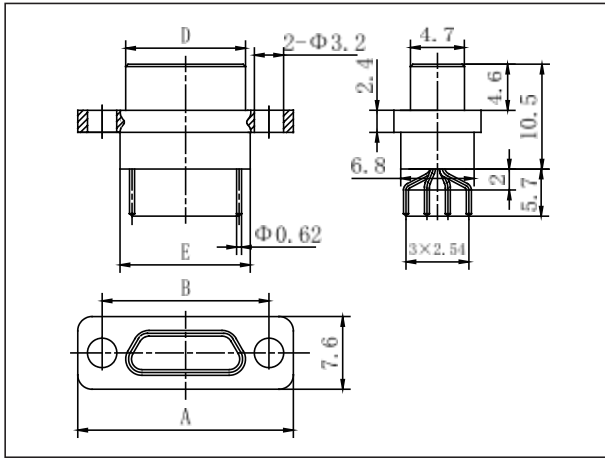
The printed circuit board Micro-D connector offers easy installation directly to a PCB. PC tail contacts are available in three lengths with up to 100 per connector, providing design flexibility. Connectors are available with either pins or sockets.

Grid Distance: 2.54*2.54

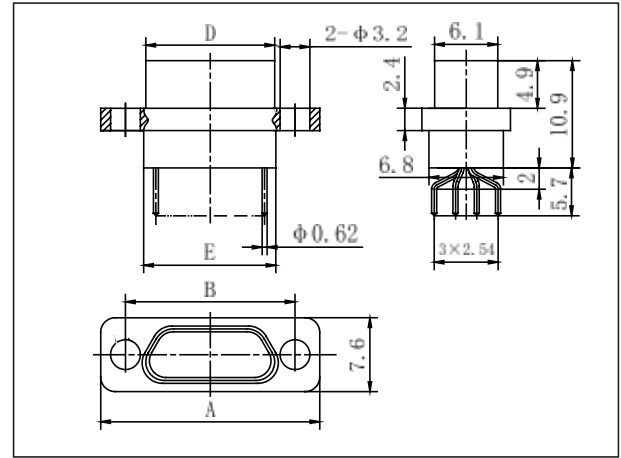
Cross-Reference & Compatibility

Compatible Brands	Equivalents
MIL-DTL-83513 Micro-D	M83513/22, M83513/23, M83513/24, M83513/25, M83513/26, M83513/27
Glenair	MWDM
Amphenol	Series 100
ITT Cannon	MDM Series

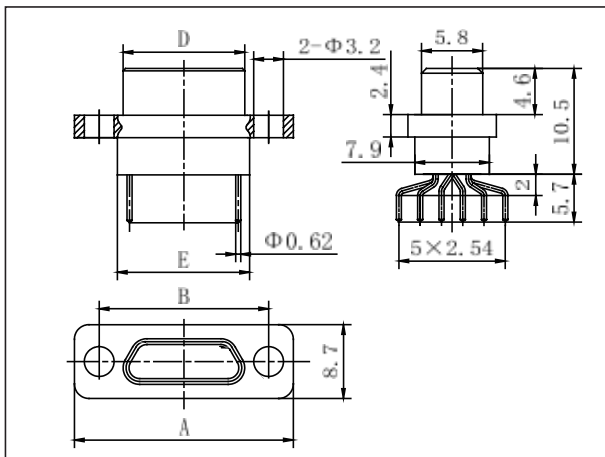
Dimensions



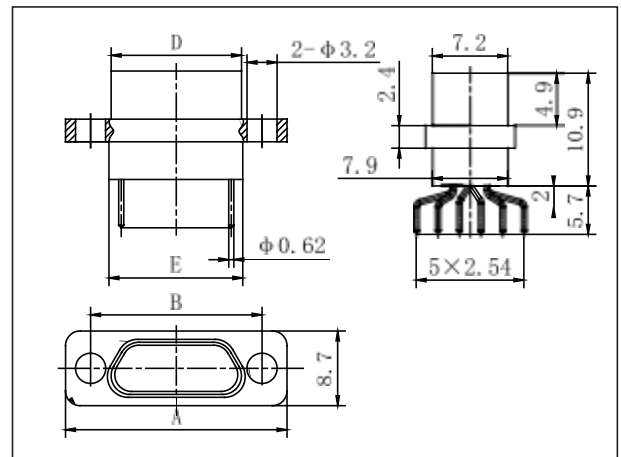
J30J-9~37TJN



J30J-9~37ZKN



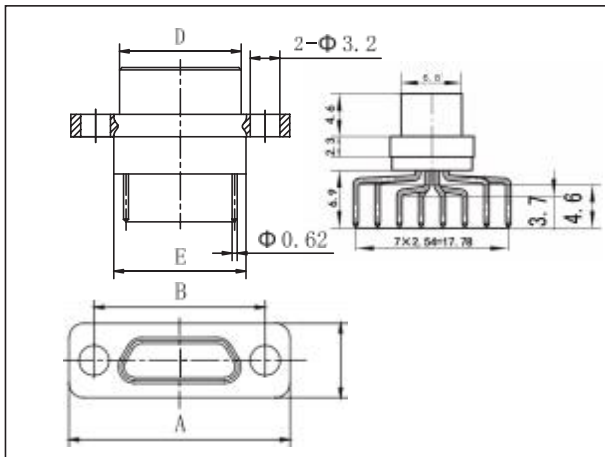
J30J-51 - 66TJN



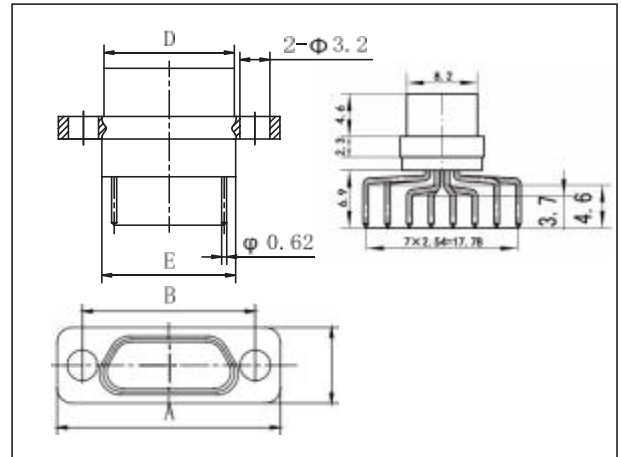
J30J-51 - 66ZKN

Part number	A	B	C	D	E
J30J-9TJN / ZKN	19.6	14.3	8.3 (TJN)	9.8 (ZKN)	9.9
J30J-15TJN / ZKN	23.5	18.2	12.3 (TJN)	13.7 (ZKN)	13.8
J30J-21TJN / ZKN	27.4	22	16 (TJN)	17.4 (ZKN)	17.6
J30J-25TJN / ZKN	29.8	24.5	18.6 (TJN)	20 (ZKN)	20.2
J30J-31TJN / ZKN	33.6	28.3	22.4 (TJN)	23.8 (ZKN)	24
J30J-37TJN / ZKN	37.4	32.2	26.3 (TJN)	27.7 (ZKN)	27.8
J30J-51TJN / ZKN	36.4	30.86	25 (TJN)	26.5 (ZKN)	26.6
J30J-66TJN / ZKN	42.9	37.3	31.4 (TJN)	32.9 (ZKN)	33

Dimensions



J30J-74、100、144TJN



J30J-74、100、144ZKN

Part number	A	B	D		E
J30J-74TJN / ZKN	38.8	33.5	27.5 (TJN)	29.1 (ZKN)	29.1
J30J-100TJN / ZKN	54.7	45.7	35 (TJN)	36.6 (ZKN)	36.7
J30J-144TJN / ZKN	66.6	58.6	49 (TJN)	50.6 (ZKN)	50.7

Straight PCB Micro-D **J30J-TJN-J&J30J-ZKN-J**

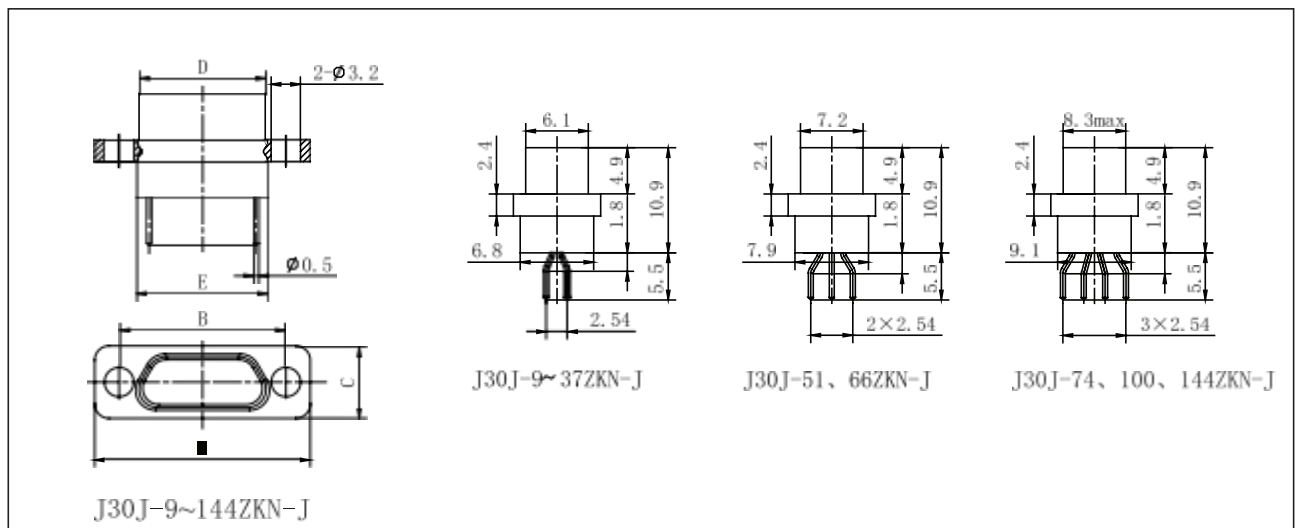
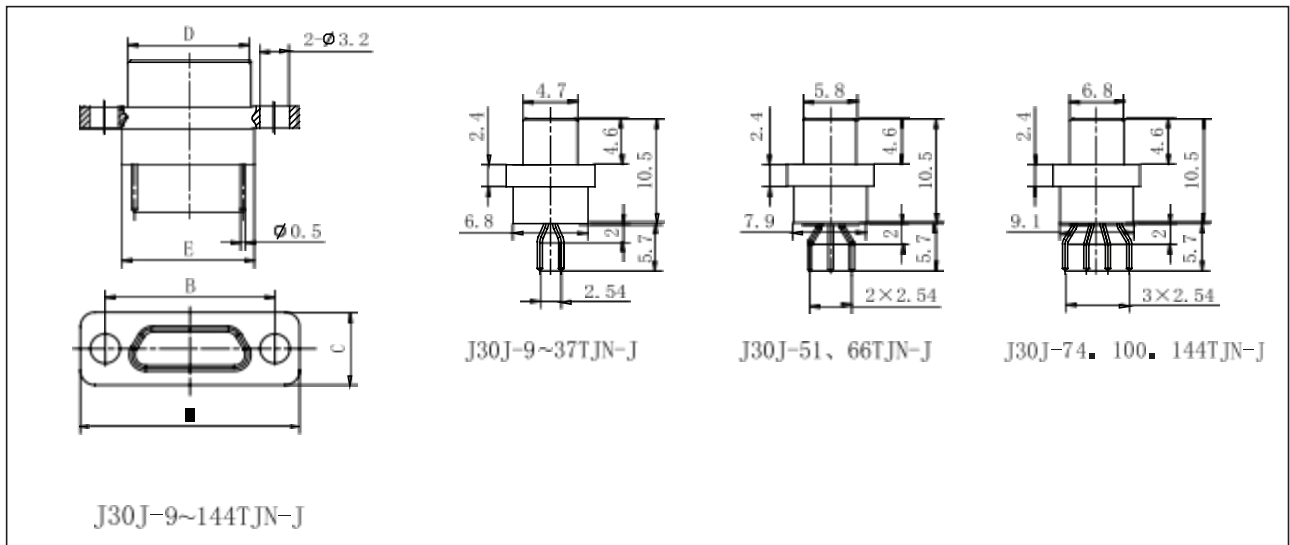


Description

The printed circuit board Micro-D connector offers easy installation directly to a PCB. PC tail contacts are available in three lengths with up to 100 per connector, providing design flexibility. Connectors are available with either pins or sockets.
Grid Distance: 1.27*2.54

Cross-Reference & Compatibility

Compatible Brands	Equivalents
MIL-DTL-83513 Micro-D	M83513/22, M83513/23, M83513/24, M83513/25, M83513/26, M83513/27
Glenair	MWDM
Amphenol	Series 100
ITT Cannon	MDM Series



Part number	A	B	C	D		E
J30J-9TJN/ZKN-J	19.6	14.3	7.6	8.3 (TJN-J)	9.8 (ZKN-J)	9.9
J30J-15TJN/ZKN-J	23.5	18.2	7.6	12.3 (TJN-J)	13.7 (ZKN-J)	13.8
J30J-21TJN/ZKN-J	27.4	22	7.6	16 (TJN-J)	17.4 (ZKN-J)	17.6
J30J-25TJN/ZKN-J	29.8	24.5	7.6	18.6 (TJN-J)	20 (ZKN-J)	20.2
J30J-31TJN/ZKN-J	33.6	28.3	7.6	22.4 (TJN-J)	23.8 (ZKN-J)	24
J30J-37TJN/ZKN-J	37.4	32.2	7.6	26.3 (TJN-J)	27.7 (ZKN-J)	27.8
J30J-51TJN/ZKN-J	36.4	30.86	8.7	25 (TJN-J)	26.5 (ZKN-J)	26.6
J30J-66TJN/ZKN-J	42.9	37.3	8.7	31.4 (TJN-J)	32.9 (ZKN-J)	33
J30J-74TJN/ZKN-J	38.8	33.5	9.7	27.5 (TJN-J)	29 (ZKN-J)	29.1
J30J-100TJN/ZKN-J	54.7	45.7	9.7	35 (TJN-J)	36.6 (ZKN-J)	36.6
J30J-144TJN/ZKN-J	66.6	58.6	9.7	49 (TJN-J)	50.6 (ZKN-J)	50.7

90 Degree PCB Micro-D **J30J-TJW & J30J-ZKW**



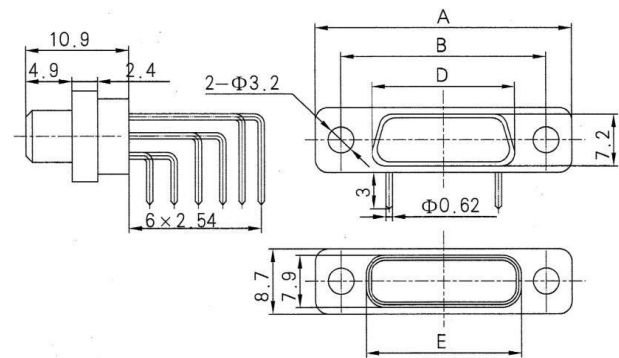
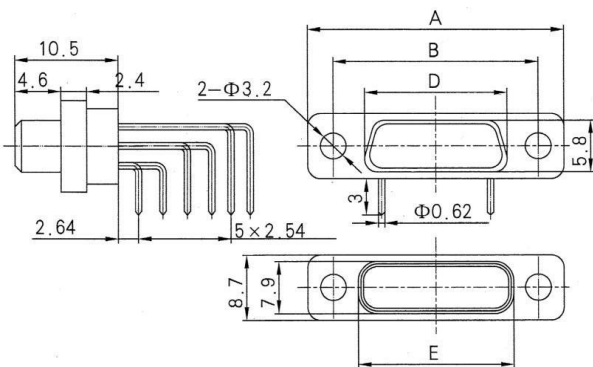
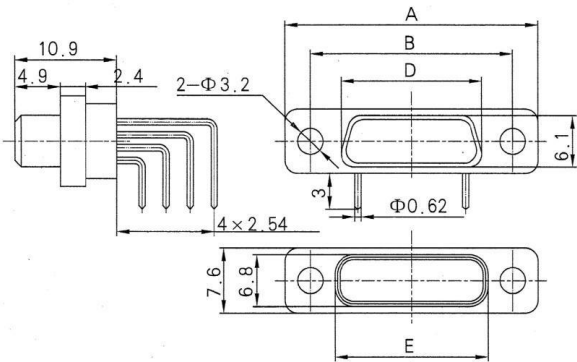
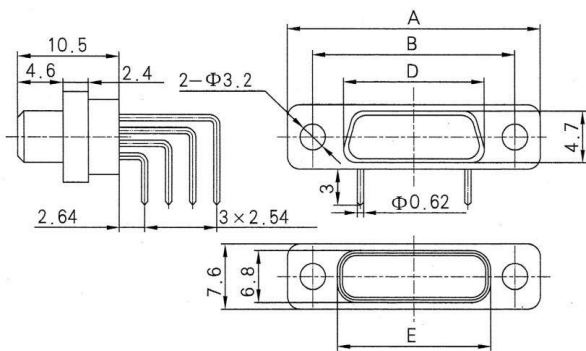
Description

The MDP3 PCB Micro-D connector offers a 90-degree design for wire management in confined spaces. The included PC tail contacts are available in three lengths to meet varying interconnect designs.

Grid Distance: 2.54*2.54mm

Cross-Reference & Compatibility

Compatible Brands	Equivalents
MIL-DTL-83513 Micro-D	M83513/16, M83513/17, M83513/18, M83513/19, M83513/20, M83513/21
Glenair	MWDM
Amphenol	Series 100
ITT Cannon	MDM Series



Part number	A	B	D		E
J30J – 9TJW/ZKW	19.6	14.30	8.3 (TJW)	9.8 (ZKW)	9.9
J30J – 15TJW/ZKW	23.5	18.20	12.3 (TJW)	13.7 (ZKW)	13.8
J30J – 21TJW/ZKW	27.4	22.00	16.0 (TJW)	17.4 (ZKW)	17.6
J30J – 25TJW/ZKW	29.8	24.50	18.6 (TJW)	20.0 (ZKW)	20.2
J30J – 31TJW/ZKW	33.6	28.30	22.4 (TJW)	23.8 (ZKW)	24.0
J30J – 37TJW/ZKW	37.4	32.20	26.3 (TJW)	27.7 (ZKW)	27.8
J30J – 51TJW/ZKW	36.4	30.86	25.0 (TJW)	26.5 (ZKW)	26.6
J30J – 66TJW/ZKW	42.9	37.30	31.4 (TJW)	32.9 (ZKW)	33.0

90 Degree PCB Micro-D **J30J-TJW-J** & **J30J-ZKW-J**



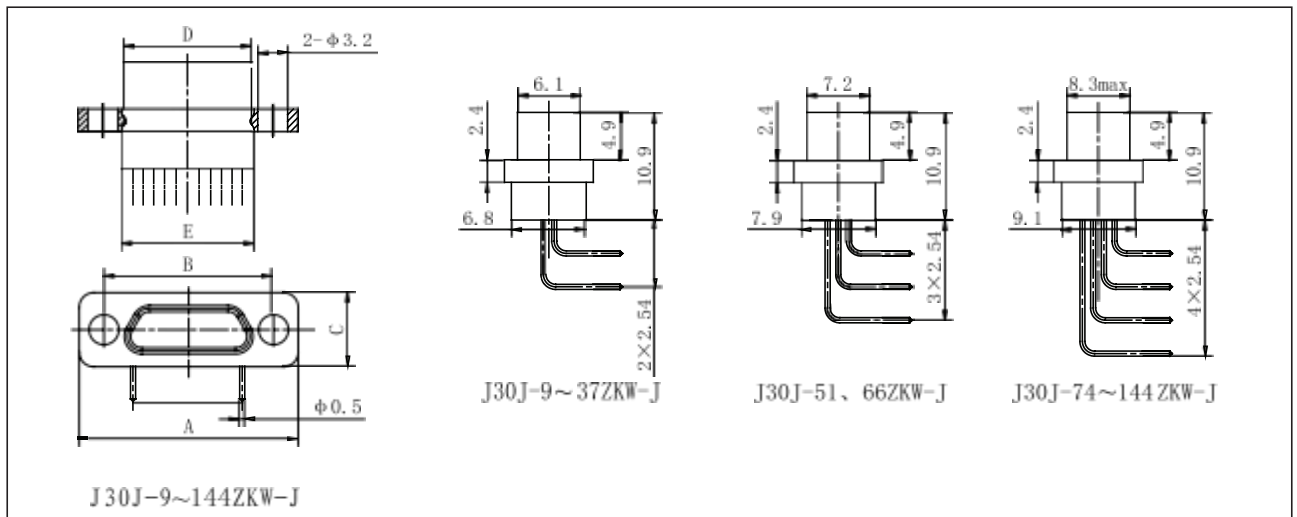
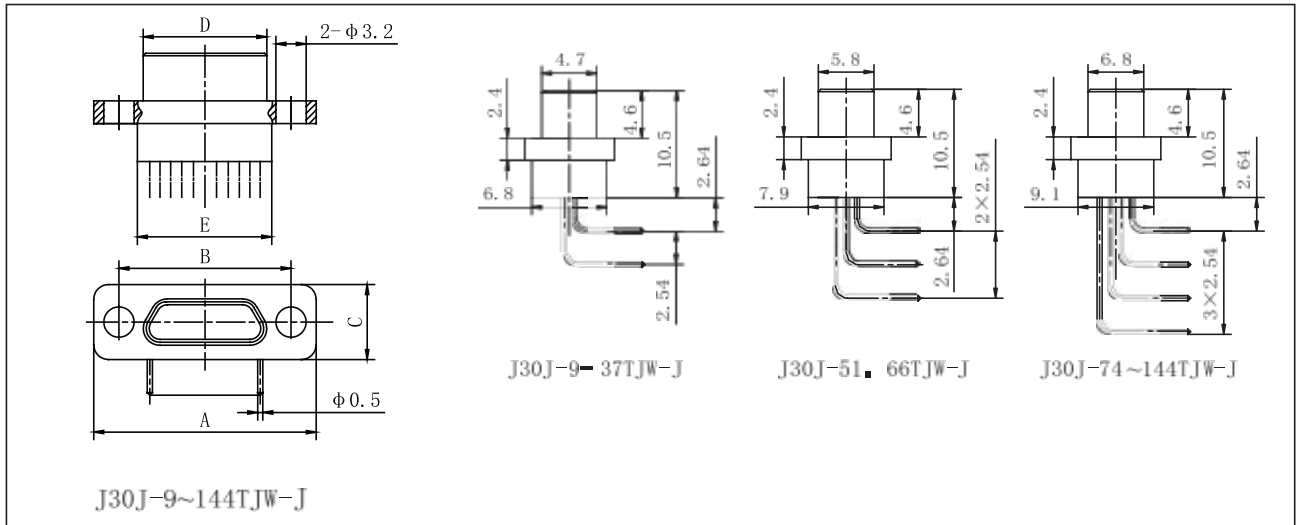
Description

The MDP3 PCB Micro-D connector offers a 90-degree design for wire management in confined spaces. The included PC tail contacts are available in three lengths to meet varying interconnect designs.

Grid Distance: 1.27*2.54mm

Cross-Reference & Compatibility

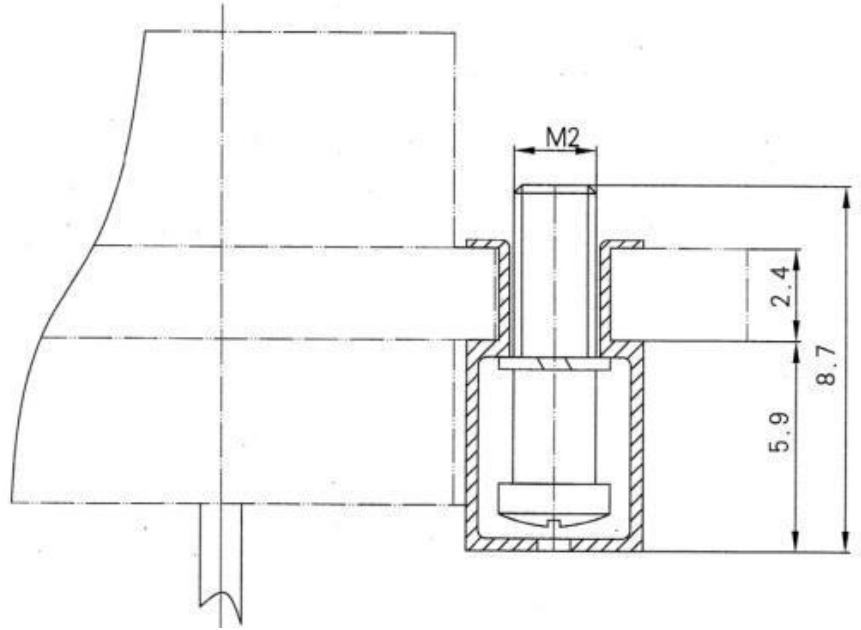
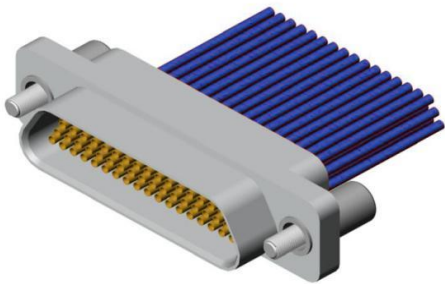
Compatible Brands	Equivalents
MIL-DTL-83513 Micro-D	M83513/16, M83513/17, M83513/18, M83513/19, M83513/20, M83513/21
Glenair	MWDM
Amphenol	Series 100
ITT Cannon	MDM Series



Part number	A	B	C	D		E
J30J-9TJW/ZKW-J	19.6	14.3	7.6	8.3 (TJW-J)	9.8 (ZKW-J)	9.9
J30J-15TJW/ZKW-J	23.5	18.2	7.6	12.3 (TJW-J)	13.7 (ZKW-J)	13.8
J30J-21TJW/ZKW-J	27.4	22	7.6	16 (TJW-J)	17.4 (ZKW-J)	17.6
J30J-25TJW/ZKW-J	29.8	24.5	7.6	18.6 (TJW-J)	20 (ZKW-J)	20.2
J30J-31TJW/ZKW-J	33.6	28.3	7.6	22.4 (TJW-J)	23.8 (ZKW-J)	24
J30J-37TJW/ZKW-J	37.4	32.2	7.6	26.3 (TJW-J)	27.7 (ZKW-J)	27.8
J30J-51TJW/ZKW-J	36.4	30.86	8.7	25 (TJW-J)	26.5 (ZKW-J)	26.6
J30J-66TJW/ZKW-J	42.9	37.3	8.7	31.4 (TJW-J)	32.9 (ZKW-J)	33
J30J-74TJW/ZKW-J	38.8	33.5	9.7	27.5 (TJW-J)	29 (ZKW-J)	29.1
J30J-100TJW/ZKW-J	54.7	45.7	9.7	35 (TJW-J)	36.6 (ZKW-J)	36.6
J30J-144TJW/ZKW-J	66.6	58.6	9.7	49 (TJW-J)	50.6 (ZKW-J)	50.7

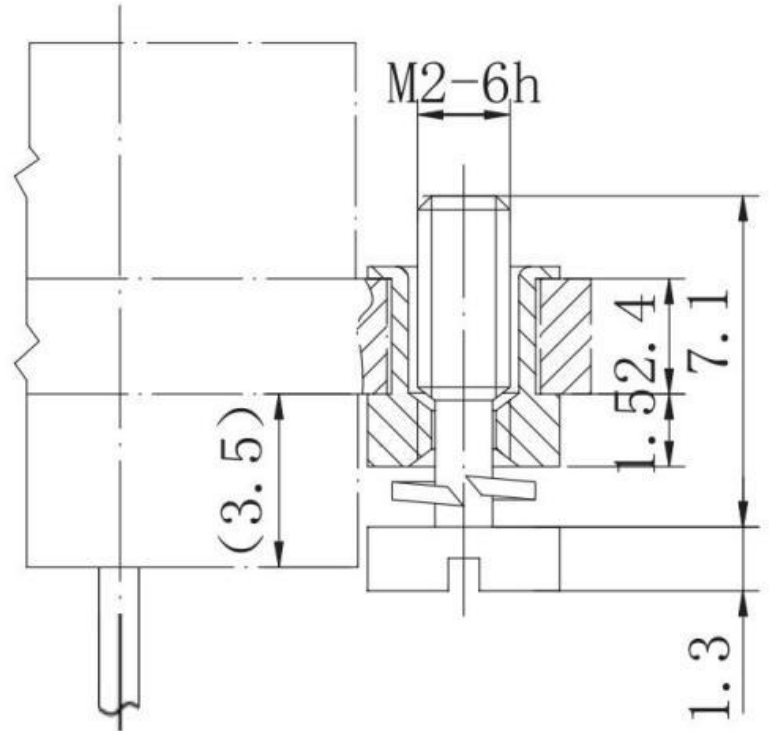
Locking accessories

L、L1、L8 type locking accessories



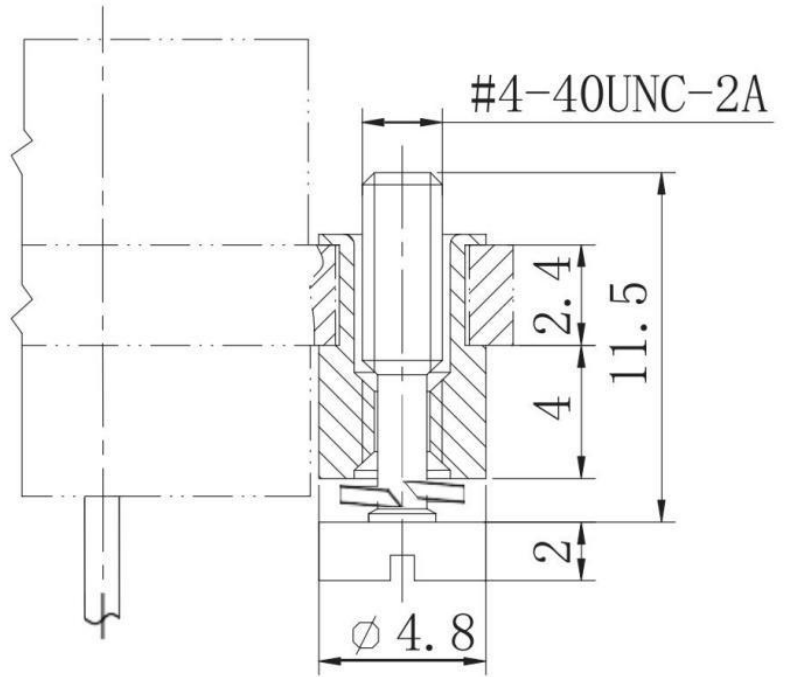
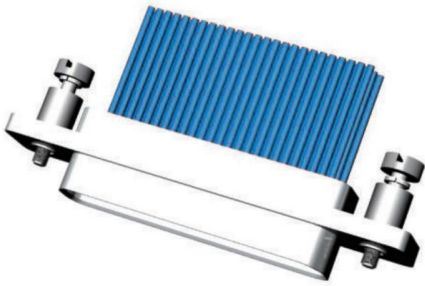
Type	A	B	Co-use type
L	M2-6h	7.1	P、P0、P2、P3、P4、P5、P7、P8、P9、P10、P11、P14、P15、P17、P23、P25、P27、P29、P30、P32、P35、P36、P37、P40、P41、P42、P43、P45、P46
L1	M2-6h	11.5	J30J-ZK-Q4
L8	#2-56UNC-2A	7.1	P1

L7 type locking accessories



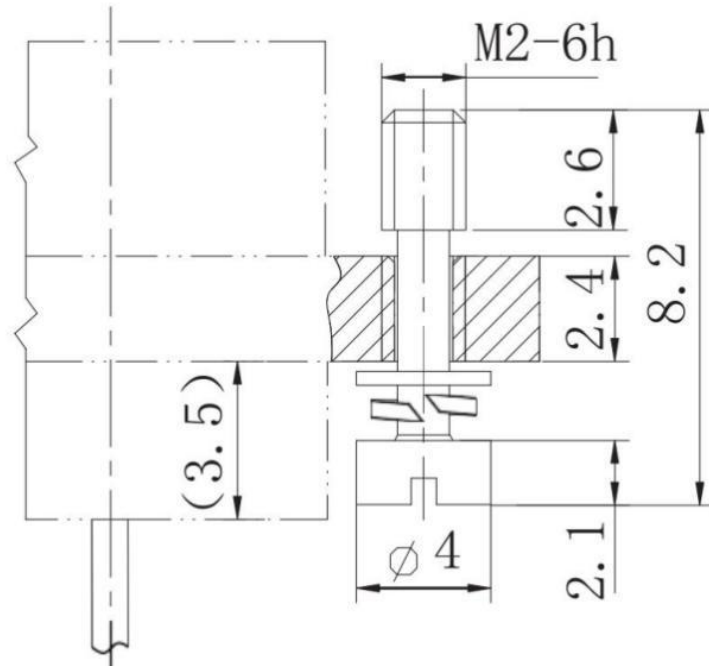
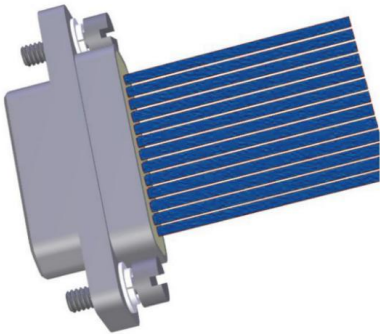
Type	Co-use type
L7	P、 P0、 P2、 P3、 P4、 P5、 P7、 P8、 P9、 P10、 P11、 P14、 P15、 P17、 P23、 P25、 P27、 P29、 P30、 P32、 P35、 P36、 P37、 P40、 P41、 P42、 P43、 P45、 P46

L3 type locking accessories



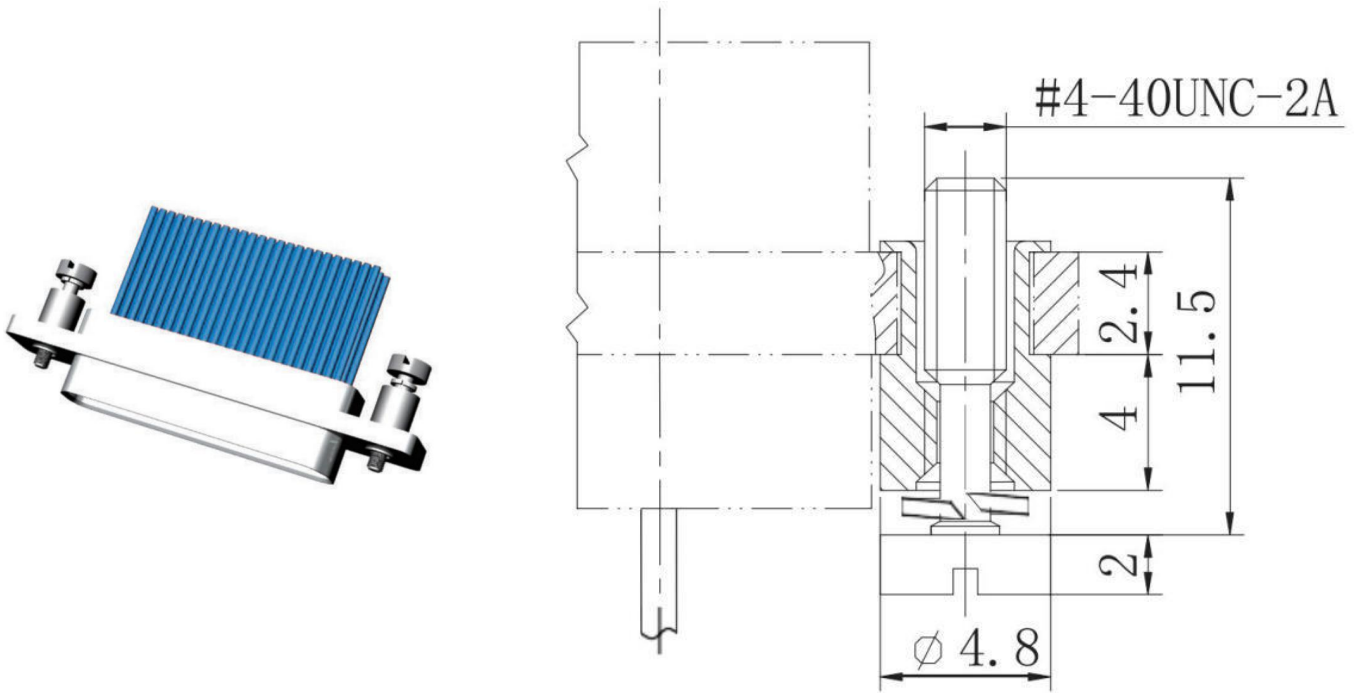
Type	Co-use type
L7	P12、 P16、 P34

L9 type locking accessories



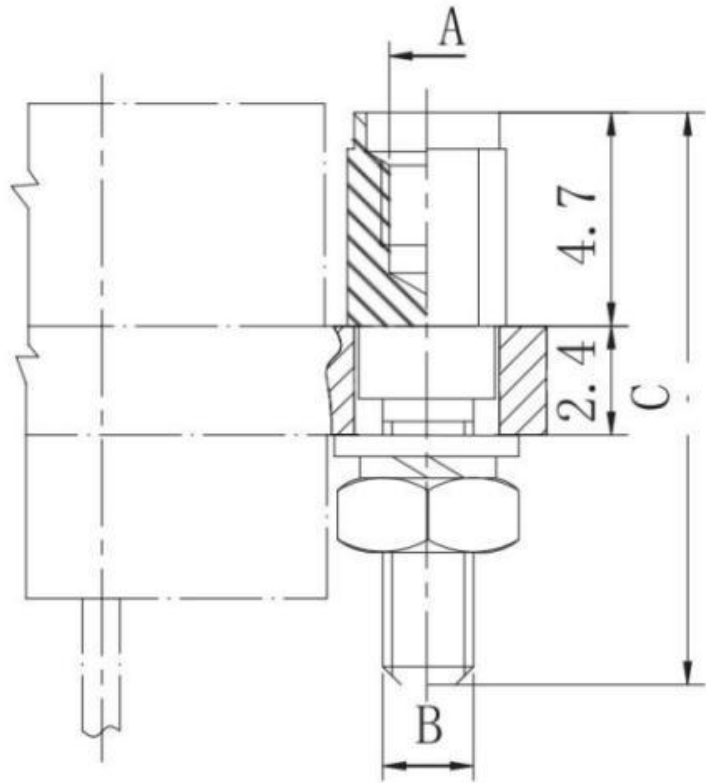
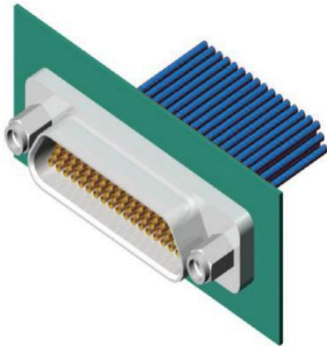
Type	Co-use type
L9	P、P0、P2、P3、P4、5、7、P8、19、P10、PII、PI4、PI5、PI7、123、P25、127、P29、P30、P32、P35、P36、P37、P40、P41、P42、P43、P45、P46

K, K1 type locking accessories



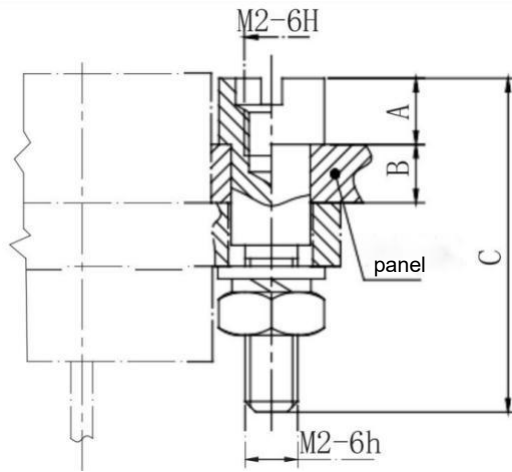
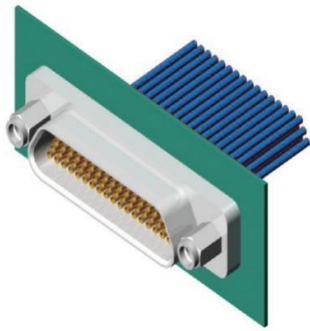
Type	A	Co-use type
K	M2-6h	P, P0, P2, P3, P4, P5, P7, P8, P9, P10, P11, P14, P15, P17, P22, P23, P25, P27, P29, P30, P32, P35, P36, P37, P40, P41, P42, P43, P45, P46
K1	#2-56UNC-2A	P1

P、P1、P8、P9 type locking accessories



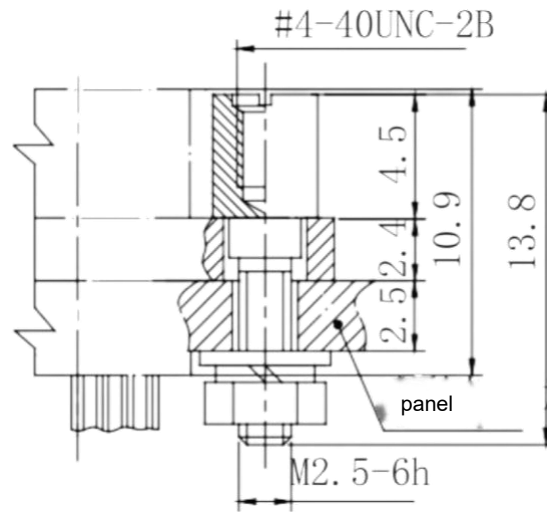
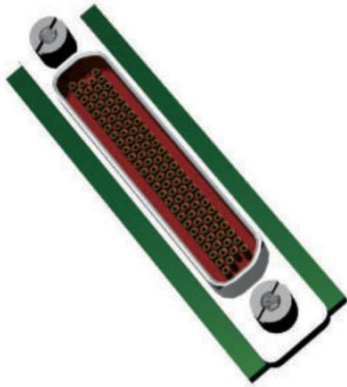
Type	A	B	C	Co-use type
P	M2-6H1	M2-6H	12.6	L、L7、L9、K
P1	#2-56UNC-2B	#2-56UNC-2A	12.6	L8、K1
P8	M2-6H	M2-6H	15.6	L、L7、L9、K
P9	M2-6H	M2-6H	21.6	L、L7、L9、K

P0、P3、P4、P11、P45 type locking accessories



Type	A	B	C	Co-use type
P0	4.1	0.6	12.6	L、L7、L9、K
P3	3.3	1.4	12.6	L、L7、L9、K
P4	2.5	2.2	15.6	L、L7、L9、K
P11	1.3	3.4	21.6	L、L7、L9、K
P45	2.7	2	20	L、L7、L9、K

P31 type locking accessories



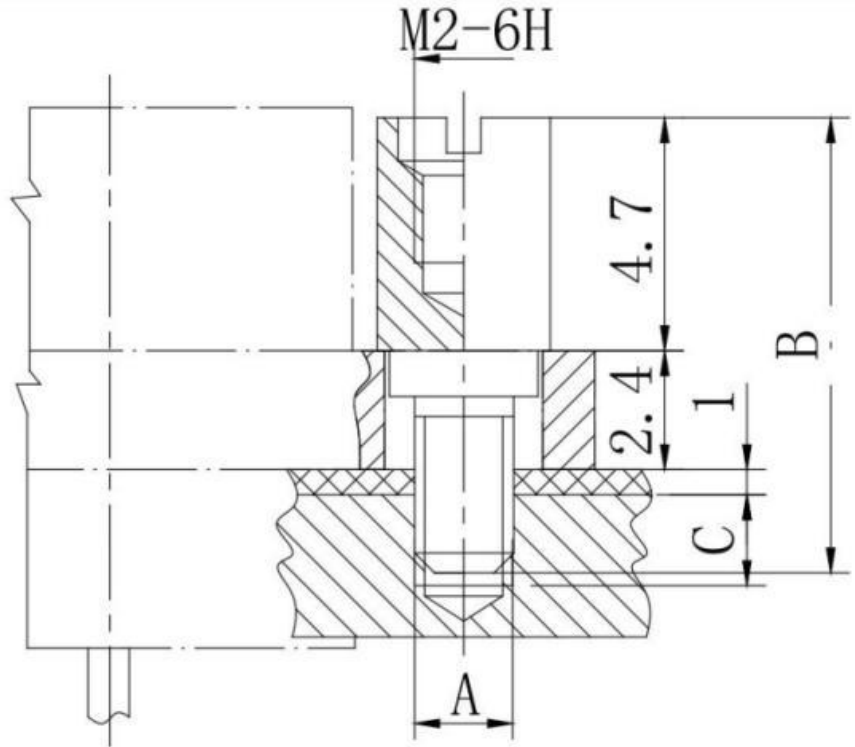
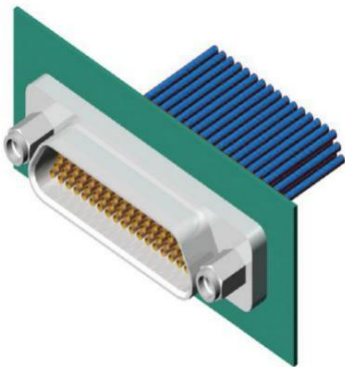
Type

Co-use type

P31

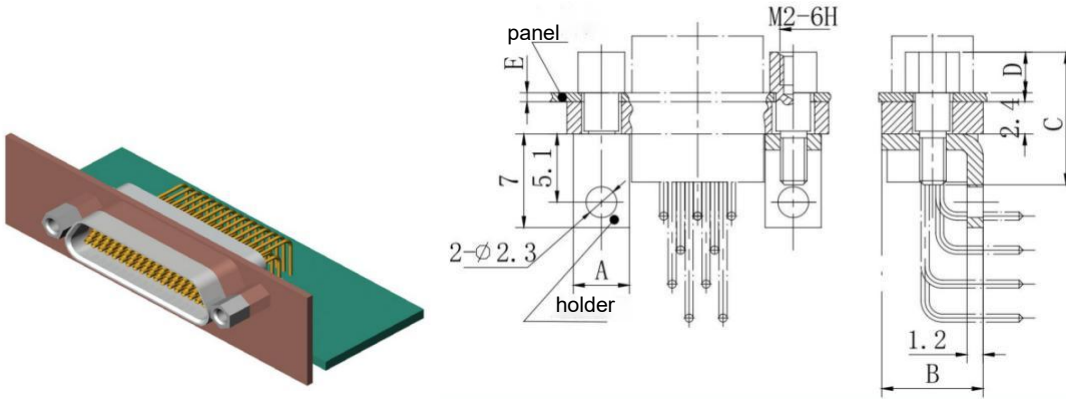
L2、L3

P29、 P36、 P37、 P43 type locking accessories



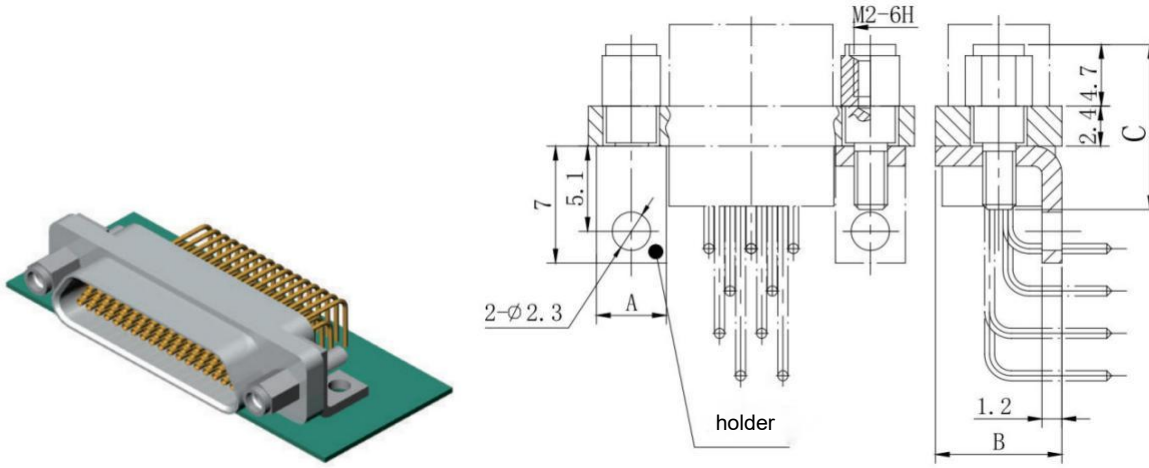
Type	A	B	C	Co-use type
P29	M3-6h	10.5	3.3 minimum	L、 L7、 L9、 K
P36	M3-6h	14.7	7 minimum	L、 L7、 L9、 K
P37	M2-6h	10	2.8 minimum	L、 L7、 L9、 K
P43	M3-6h	11.7	4 minimum	L、 L7、 L9、 K

P2、P14 type locking accessories



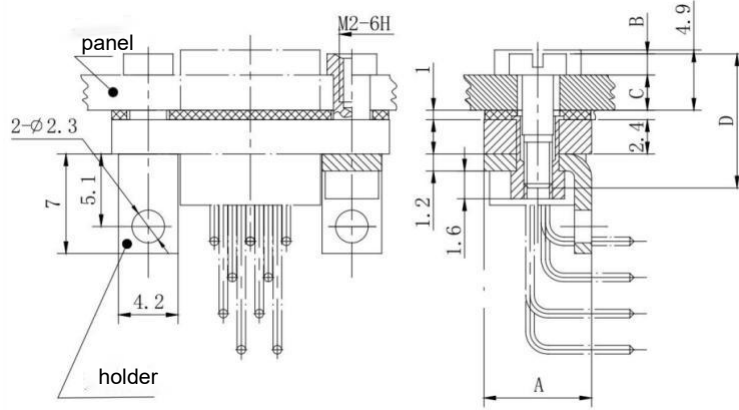
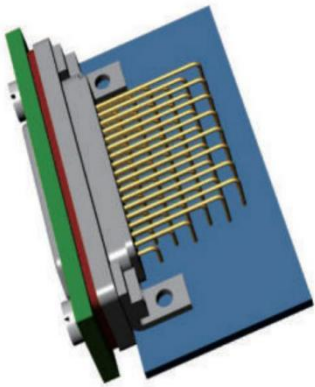
cores	A	B	C		D		E		Co-use type
			P2	P14	P2	P14	P2	P14	
9~37	4.2	7.6	11.6	10.7	3.7	1.7	1	3	L、L7、L9、K
51	4.2	8.7	11.6	10.7	3.7	1.7	1	3	L、L7、L9、K
74	4.2	9.7	11.6	10.7	3.7	1.7	1	3	L、L7、L9、K
100	8.8	9.7	11.6	10.7	3.7	1.7	1	3	L、L7、L9、K

P7、P42 type locking accessories



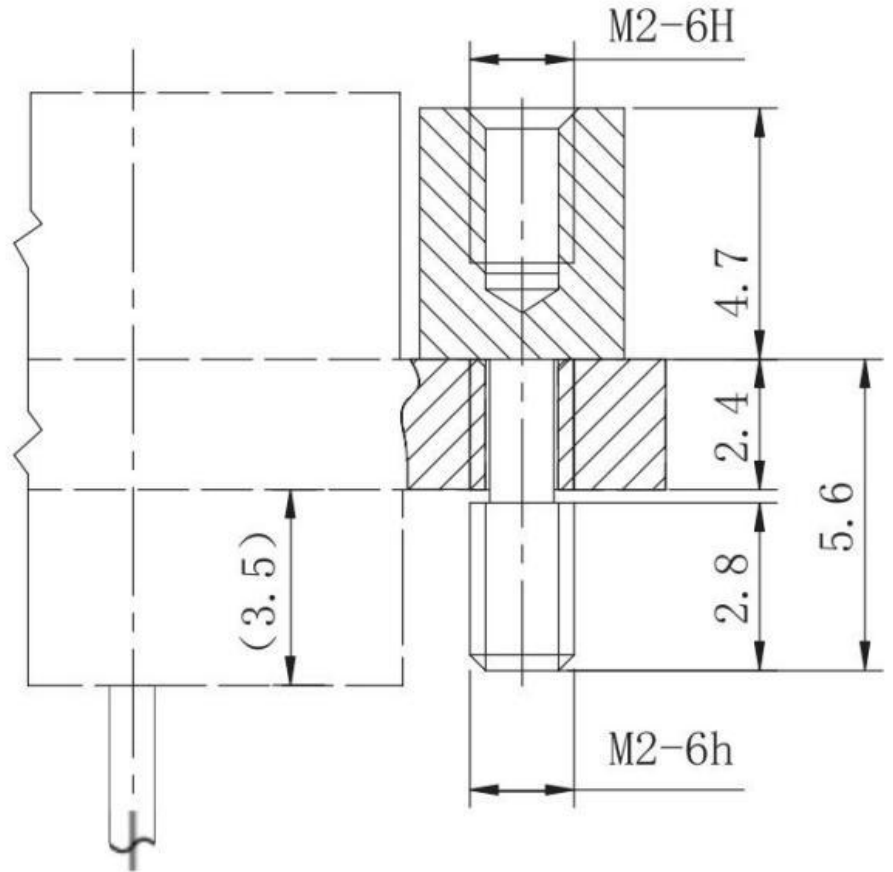
Cores	A	B	C		Co-use type
			P2	P14	
9~37	4.2	7.6	10.7	9.7	L、L7、L9、K
51	4.2	8.7	10.7	9.7	L、L7、L9、K
74	4.2	9.7	10.7	9.7	L、L7、L9、K
100	8.8	9.7	10.7	9.7	L、L7、L9、K

P15、 P35 type locking accessories



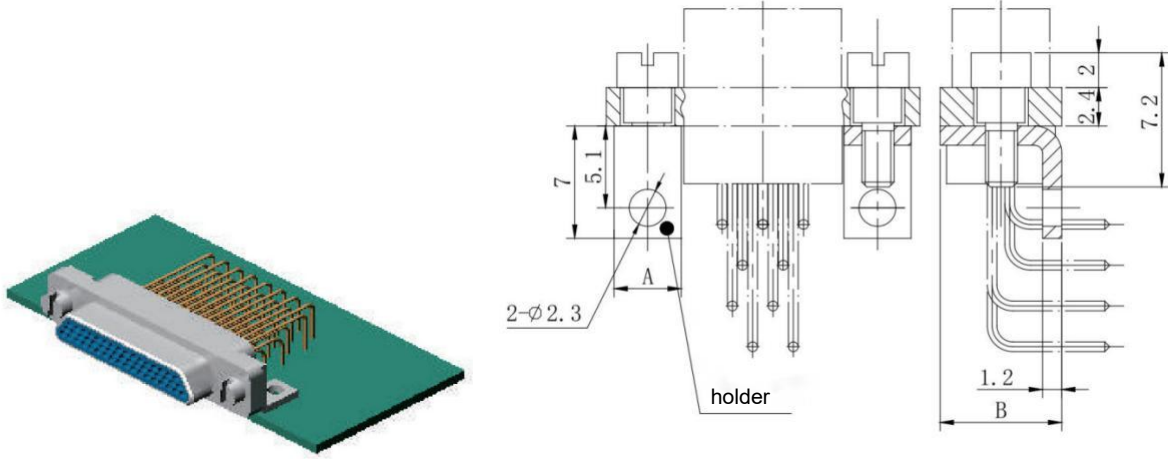
Cores	A	C		D		E		Co-use type
		P15	P35	P15	P35	P15	P35	
9~37	7.6	1.9	2.4	2.5	1.8	9.7	9.5	L、 L7、 L9、 K
51	8.7	1.9	2.4	2.5	1.8	9.7	9.5	

P46 type locking accessories



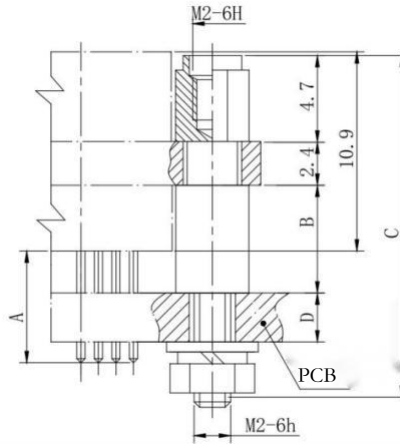
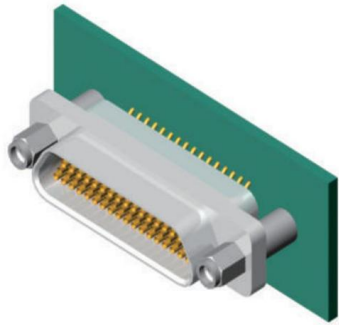
Type	Co-use type
P46	L、L7、L9、K

V1 type locking accessories



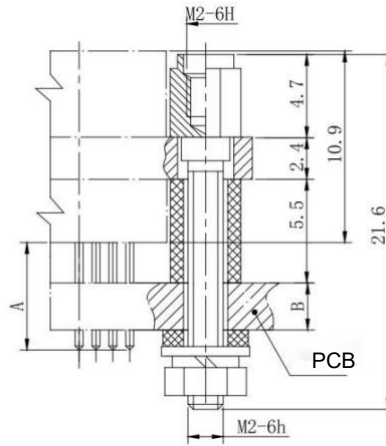
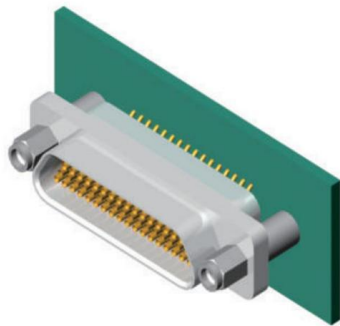
Cores	A	B
9~37	4.2	7.6
51	4.2	8.7
74	4.2	9.7
100~144	8.8	9.7

P5、P10、 P23、 P25 type locking accessories



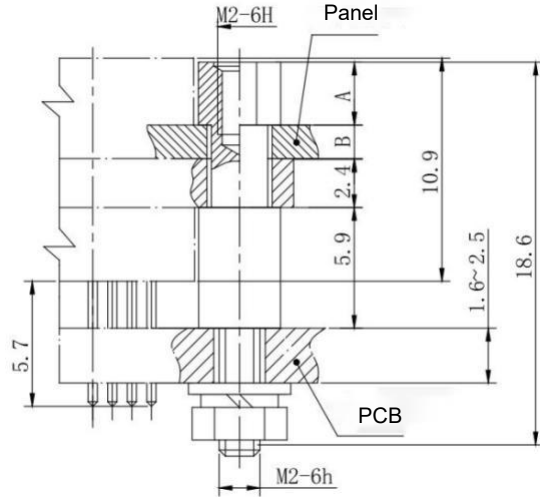
Type	A	B	C	PCB Thickness range	Co-use type
P5	5.7	5.9	18.6	1.6~2.5	L、 L7、 L9、 K
P10	8	8.4	20.5	1.6~2.5	L、 L7、 L9、 K
P25	5.7	5.9	20.5	1.6~2.5	L、 L7、 L9、 K
	8	5.9	20.5	1.6~4.8	L、 L7、 L9、 K
P23	5.7	5.9	17.8	1.6	L、 L7、 L9、 K

P17 type locking accessories



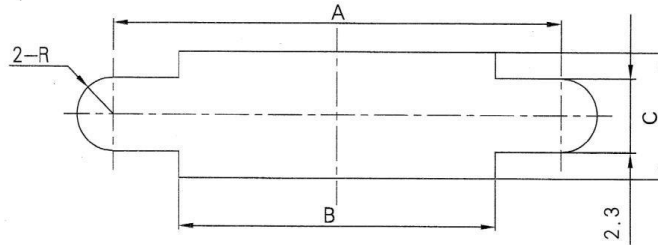
Type	A	PCB Thickness range	Co-use type	Applicable product
P17	5.7	1.6~3	L、L7、L9、K	J30J-9 ~ 51TJN/ZKN、 J30J-9 ~100TJN/ZKN-J
	7.2	1.6~4.5	L、L7、L9、K	J30J-9 ~ 51TJN4/ZKN4、 J30J-9 ~100ZKN4-J

P32、 P41 type locking accessories



Type	A	B	Co-use type
P32	2.7	2	L、 L7、 L9、 K
P41	3.2	1.5	L、 L7、 L9、 K

Size of mounting before panel



Mark	A	B	C
J30J-9-A	14.3	10.3	8.4
J30J-15-A	18.2	14.2	8.4
J30J-21-A	22.0	18.0	8.4
J30J-25-A	24.5	20.6	8.4
J30J-31-A	28.3	24.4	8.4
J30J-37-A	32.2	28.2	8.4
J30J-51-A	30.86	27.0	9.4
J30J-66-A	37.3	33.4	9.2
J30J-74-A	33.5	29.5	11.4
J30J-100-A	45.7	37.2	11.4

Mark	A	B	C
J30J-9-D	14.3	10.2	7.0
J30J-15-D	18.2	14.1	7.0
J30J-21-D	22.0	17.9	7.0
J30J-25-D	24.5	20.5	7.0
J30J-31-D	28.3	24.3	7.0
J30J-37-D	32.2	28.1	7.0
J30J-51-D	30.86	26.9	8.1
J30J-66-D	37.3	33.4	8.1
J30J-74-D	33.5	29.4	9.3
J30J-100-D	45.7	37.0	9.3

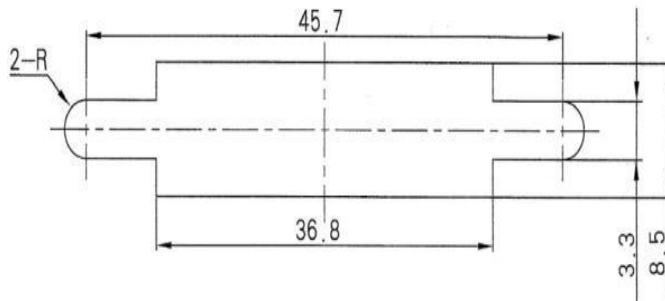
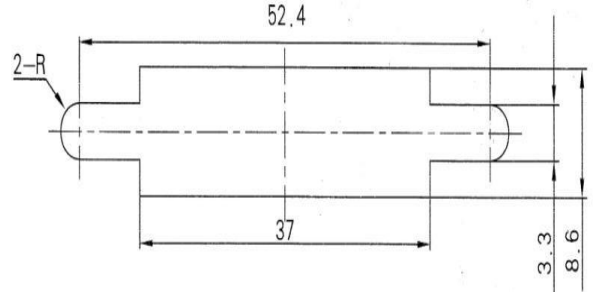
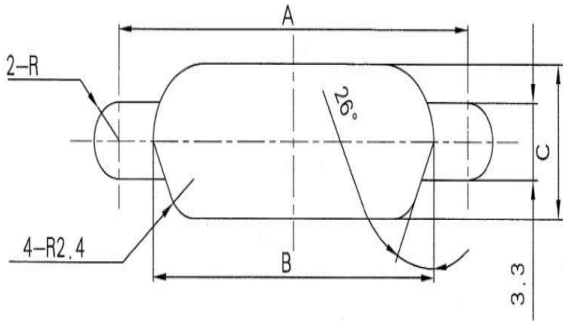
MIL-DTL-38999 Series III Style Connectors

Part number	A	B	C
J30J-9	14.3	10.2	7.0
J30J-15	18.2	14.1	7.0
J30J-21	22.0	17.9	7.0
J30J-25	24.5	20.5	7.0
J30J-31	28.3	24.3	7.0
J30J-37	32.2	28.1	7.0
J30J-51	30.86	26.9	8.1
J30J-66	37.3	33.4	8.1
J30J-74	33.5	29.4	9.3
J30J-100	45.7	37	9.3

Part number	A	B	C
J30J-9-AD	14.3	10.3	8.4
J30J-15-AD	18.2	14.2	8.4
J30J-21-AD	22.0	18.0	8.4
J30J-25-AD	24.5	20.6	8.4
J30J-31-AD	28.3	24.4	8.4
J30J-37-AD	32.2	28.2	8.4
J30J-51-AD	30.86	27.0	9.4
J30J-66-AD	37.3	33.4	9.2
J30J-74-AD	33.5	29.5	11.4
J30J-100-AD	45.7	37.2	11.4

Mark	A	B	C
J30J-9-Q	21.0	10.2	7.0
J30J-15-Q	24.9	14.1	7.0
J30J-21-Q	28.7	17.9	7.0
J30J-25-Q	31.2	20.5	7.0
J30J-31-Q	35.0	24.3	7.0
J30J-37-Q	38.9	28.1	7.0
J30J-51-Q	37.6	26.9	8.1
J30J-66-Q	44.0	33.4	8.1
J30J-74-Q	40.2	29.4	9.3
J30J-100-Q	52.4	37.0	9.3

Size of mounting rear panel



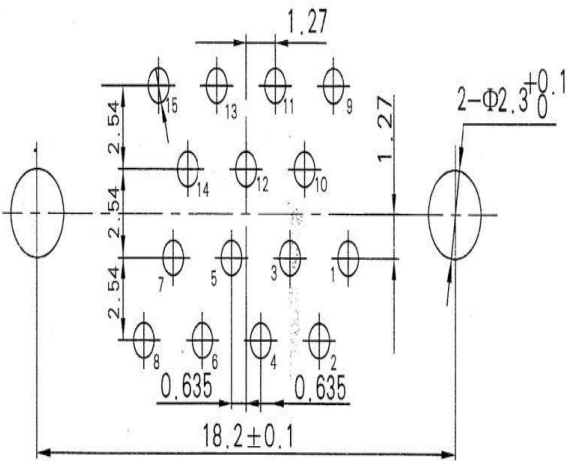
Pat number	A	B	C
J30J-9	14.30	10.2	6.3
J30J-15	18.20	14.1	6.3
J30J-21	22.00	17.8	6.3
J30J-25	24.50	20.4	6.3
J30J-31	28.30	24.2	6.3
J30J-37	32.20	28.1	6.3
J30J-51	30.86	26.9	7.4
J30J-66	37.30	33.4	7.4
J30J-74	33.50	29.4	8.6

Part number	A	B	C
J30J-9-A	14.3	10.2	6.3
J30J-15-A	18.2	14.1	6.3
J30J-21-A	22.0	17.8	6.3
J30J-25-A	24.5	20.4	6.3
J30J-31-A	28.3	24.2	6.3
J30J-37-A	32.2	28.1	6.3
J30J-51-A	30.86	26.9	7.4
J30J-66-A	37.3	33.4	7.4
J30J-74-A	33.5	29.4	8.6

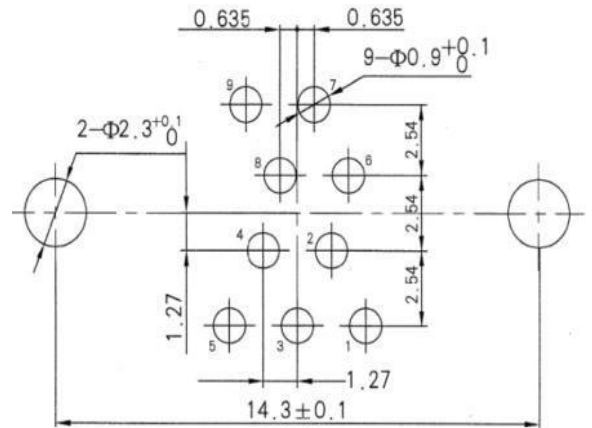
Part number	A	B	C
J30J-9-Q	21	10.2	6.3
J30J-15-Q	24.9	14.1	6.3
J30J-21-Q	28.7	17.9	6.3
J30J-25-Q	31.2	20.5	6.3
J30J-31-Q	35	24.3	6.3
J30J-37-Q	38.9	28.1	6.3
J30J-51-Q	37.6	26.9	7.4
J30J-66-Q	44	33.4	7.4
J30J-74-Q	40.2	29.4	8.6

J30J PCB Hole dimensions

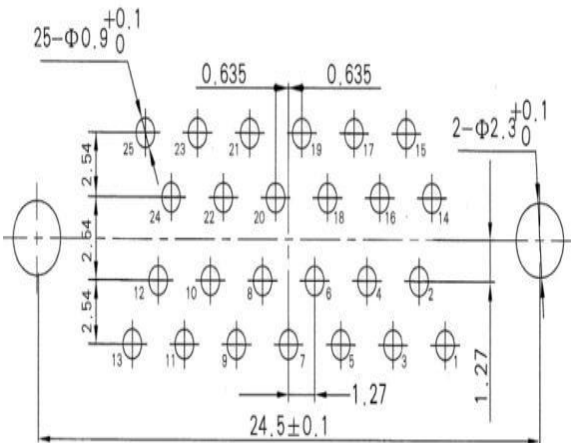
J30J-xTJN (Grid distance 2.54x2.54)



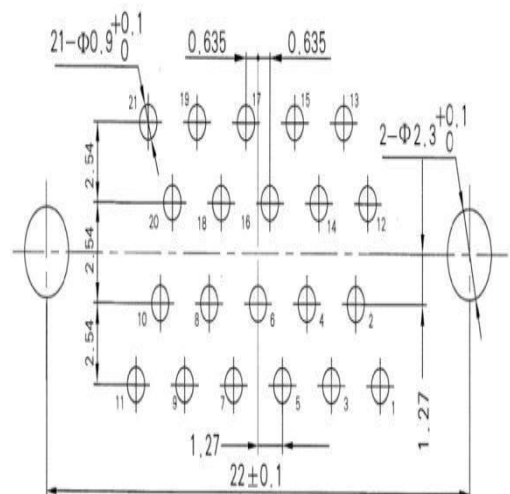
J30J-9TJN



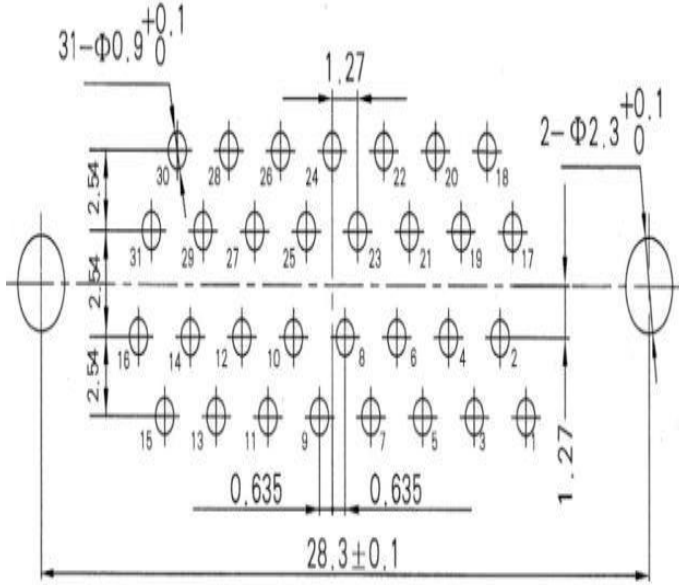
J30J-15TJN



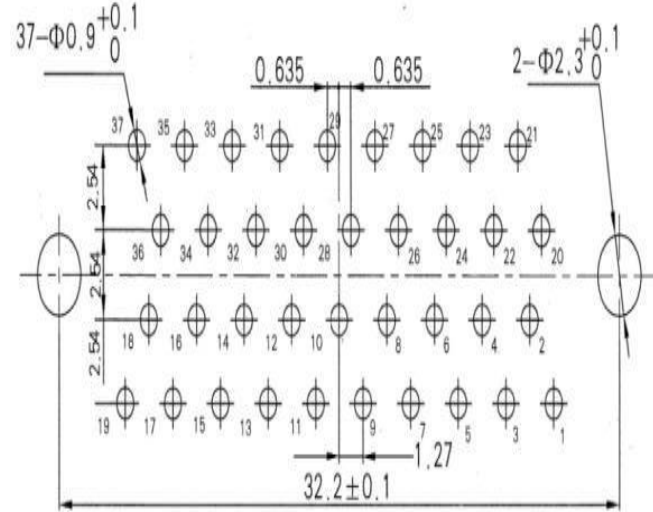
J30J-21TJN



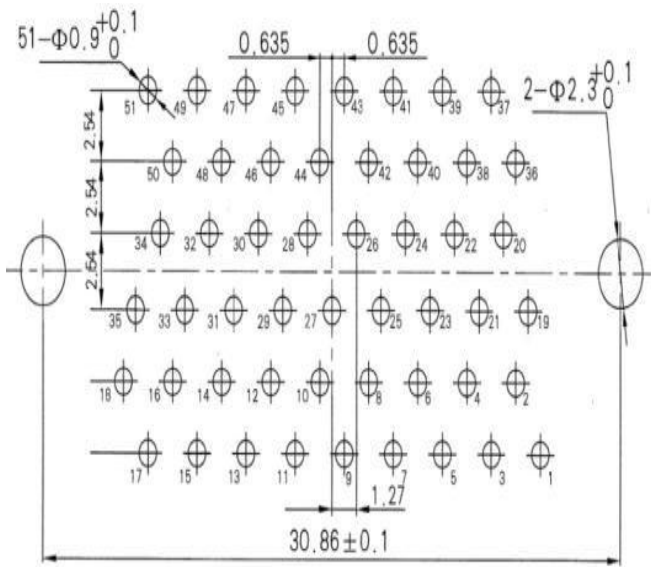
J30J-25TJN



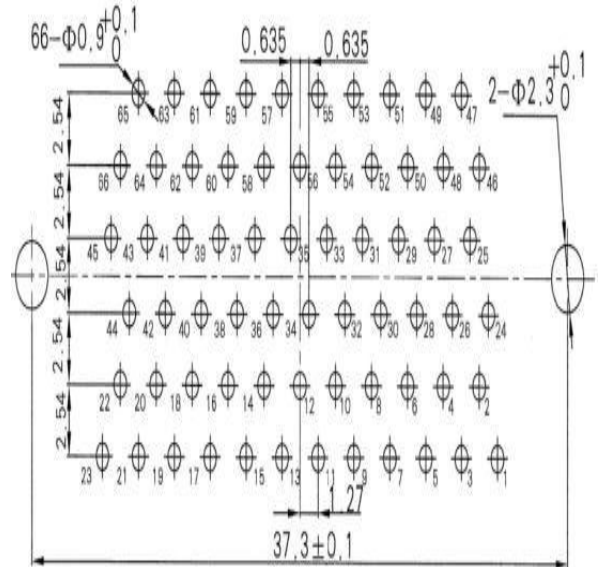
J30J-31TJN



J30J-37TJN

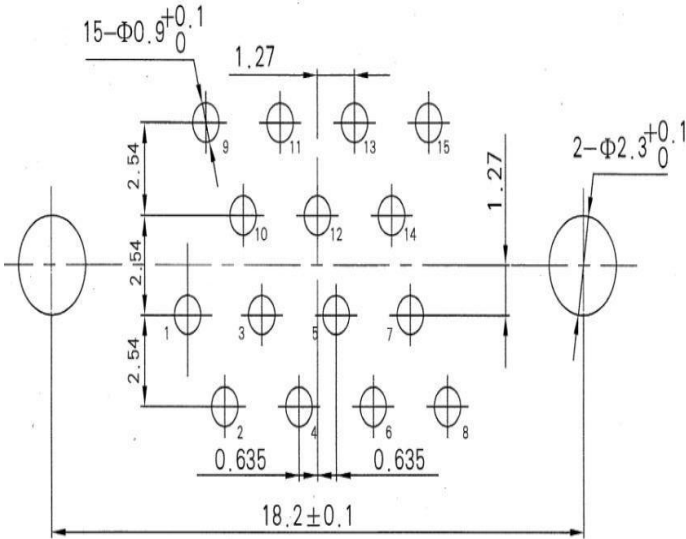


J30J-51TJN

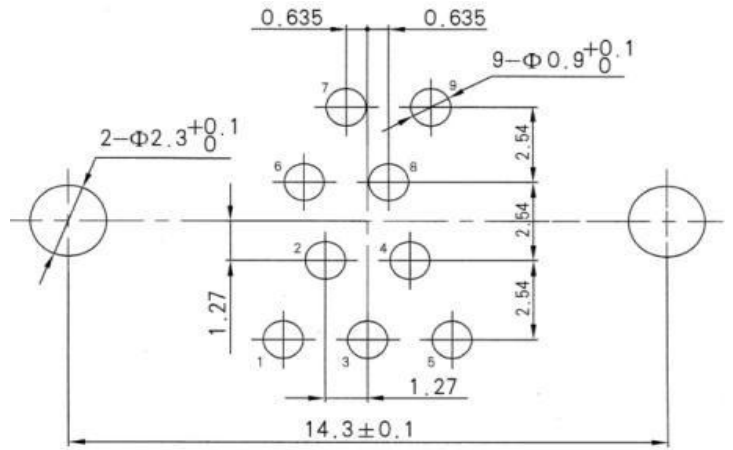


J30J-66TJN

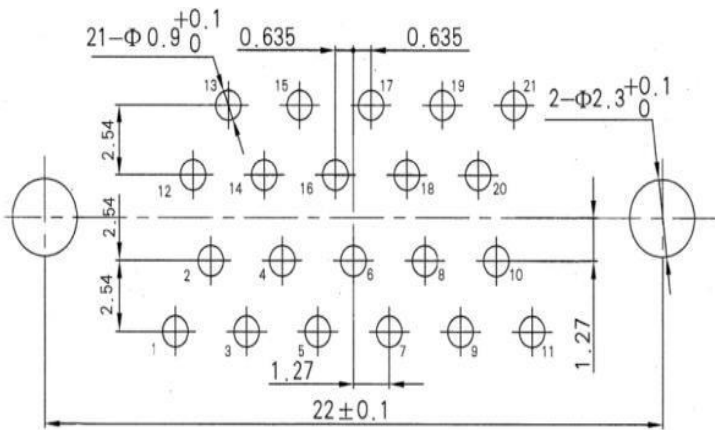
J30J-xZKN(Grid distance 2.54×2.54)



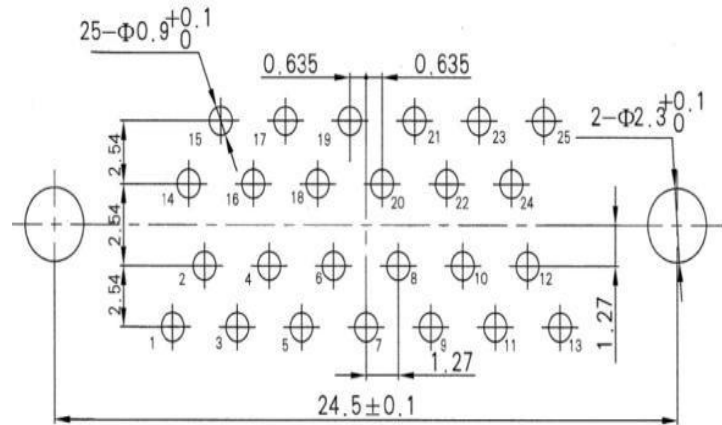
J30J-9ZKN



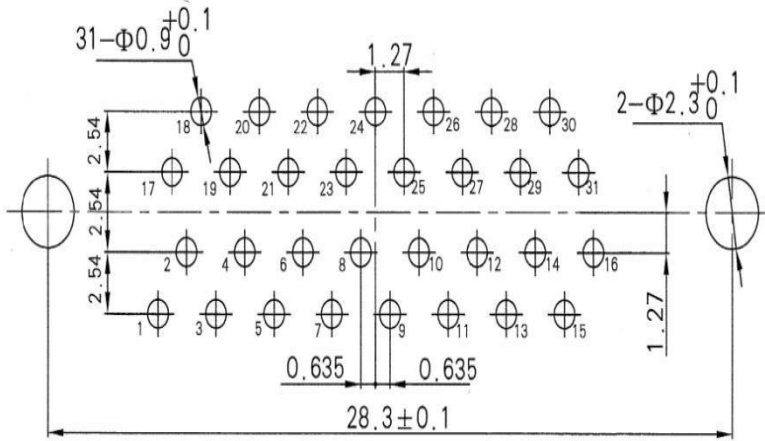
J30J-15ZKN



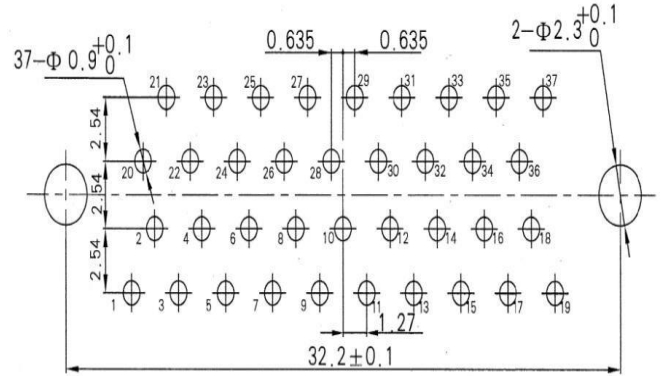
J30J-21ZKN



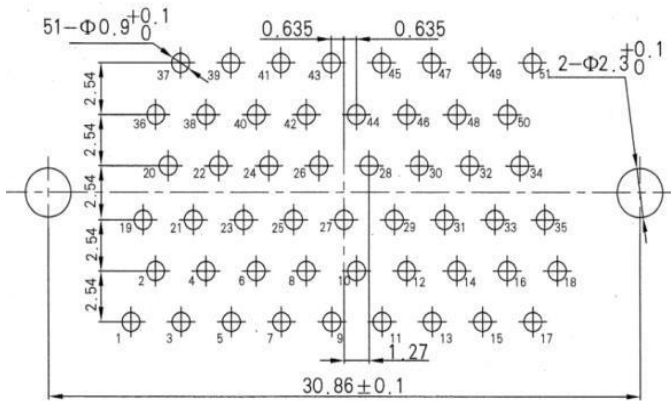
J30J-25ZKN



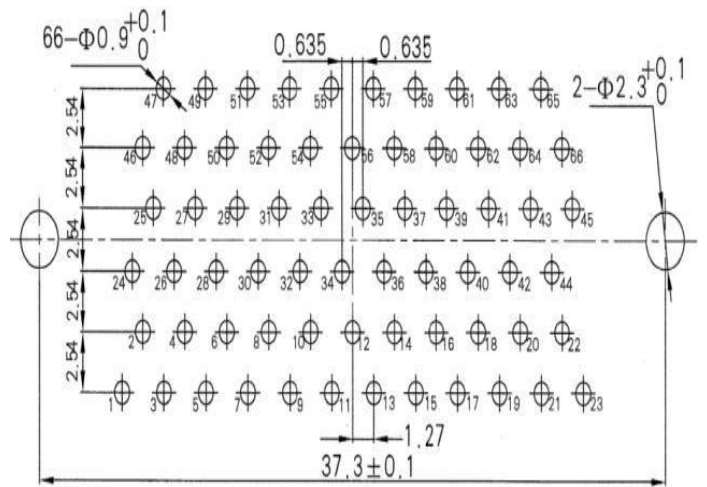
J30J-31ZKN



J30J-37ZKN

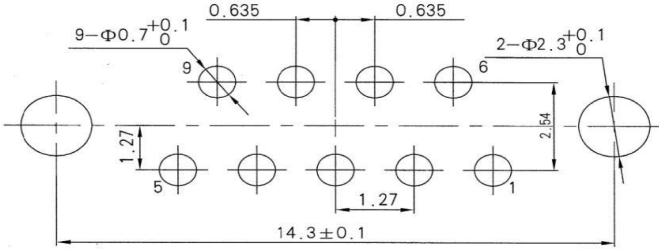


J30J-51ZKN

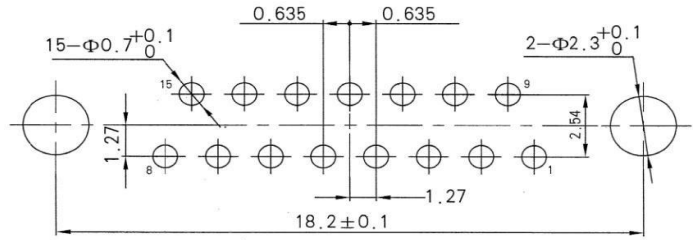


J30J-66ZKN

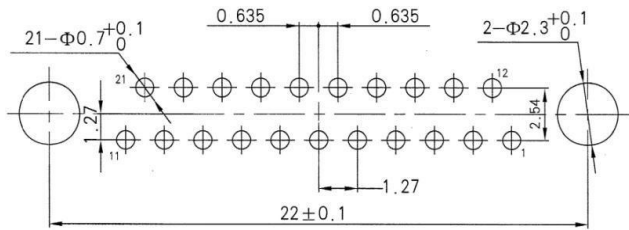
J30J-xTJN-J (Grid distance 1.27×2.54)



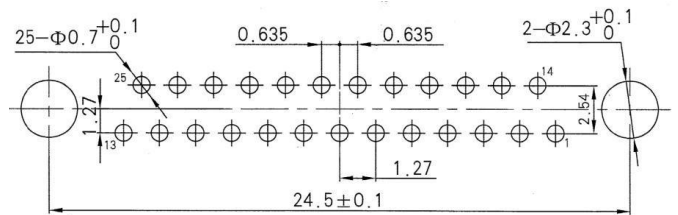
J30J-9TJN-J



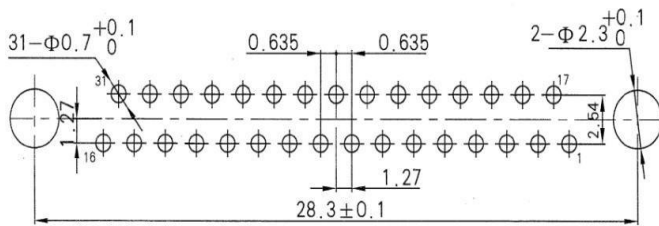
J30J-15TJN-J



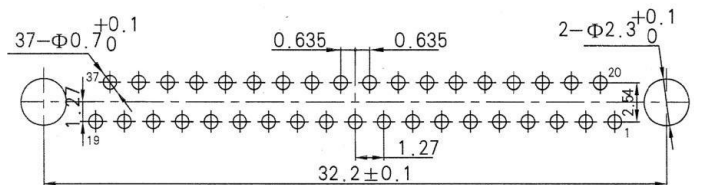
J30J-21TJN-J



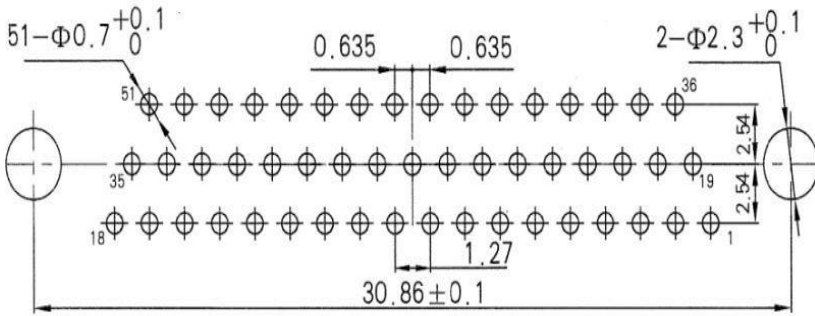
J30J-25TJN-J



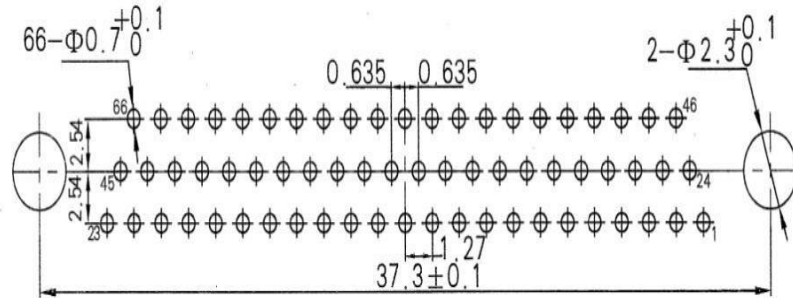
J30J-31TJN-J



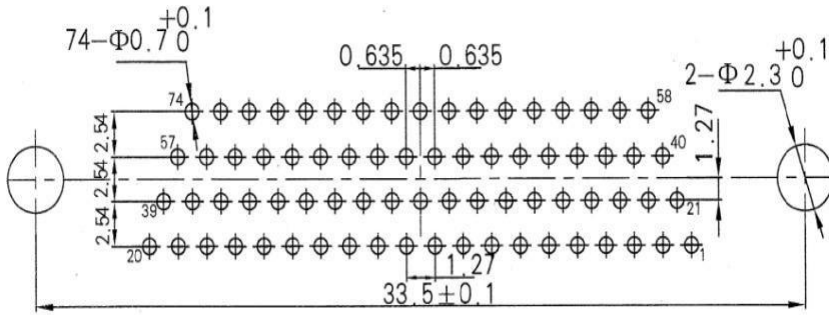
J30J-37TJN-J



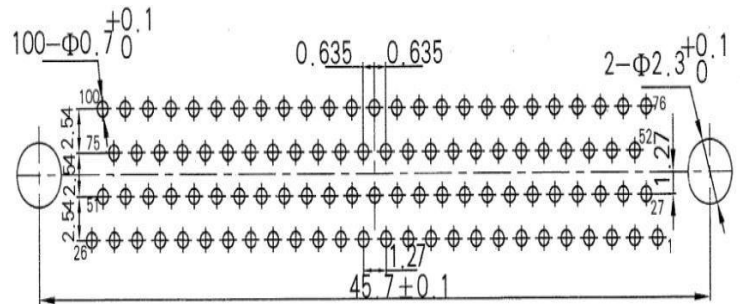
J30J-51TJN-J



J30J-66TJN-J

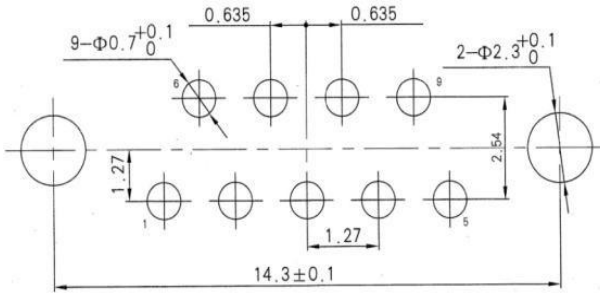


J30J-74TJN-J

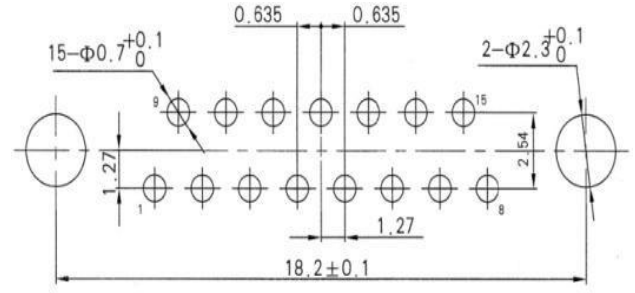


J30J-100TJN-J

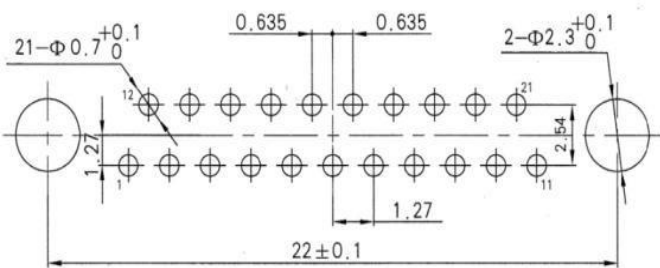
J30J- \times ZKN-J



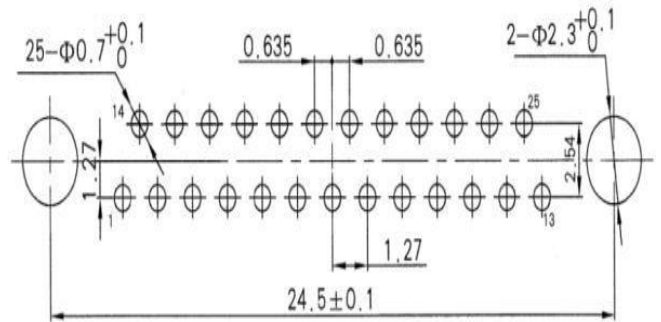
J30J-9ZKN-J



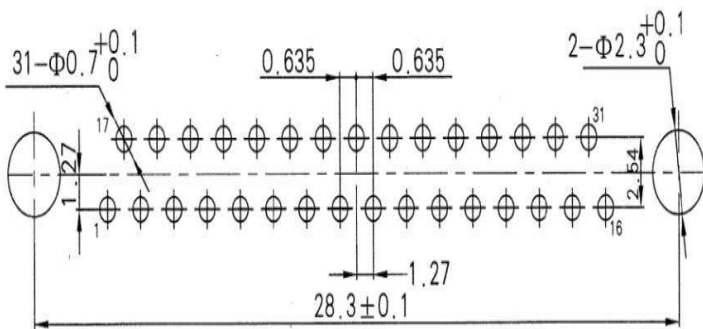
J30J-15ZKN-J



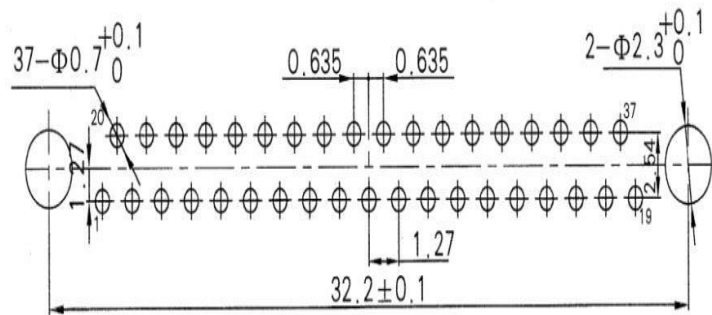
J30J-21ZKN-J



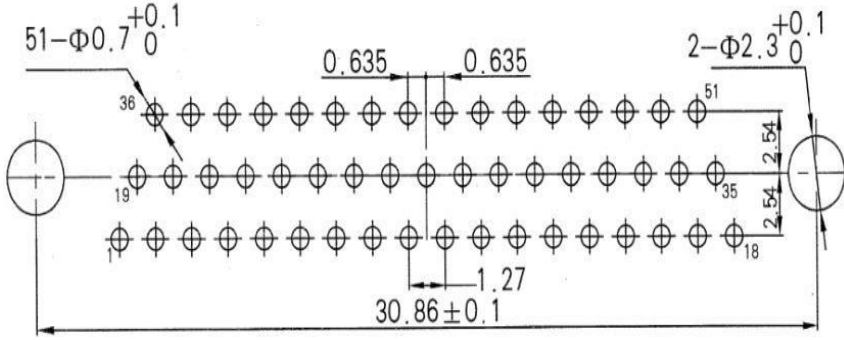
J30J-25ZKN-J



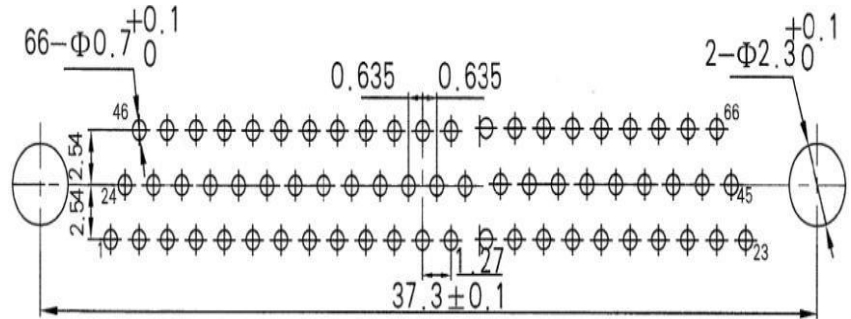
J30J-31ZKN-J



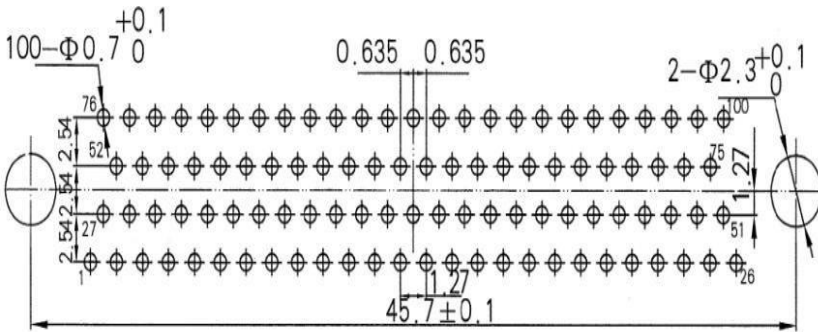
J30J-37ZKN-J



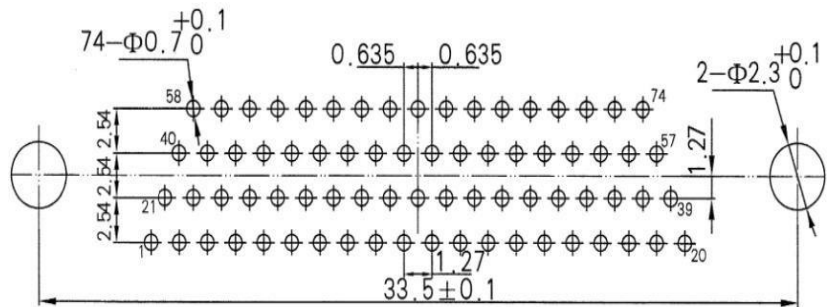
J30J-66ZKN-J



J30J-66ZKN-J

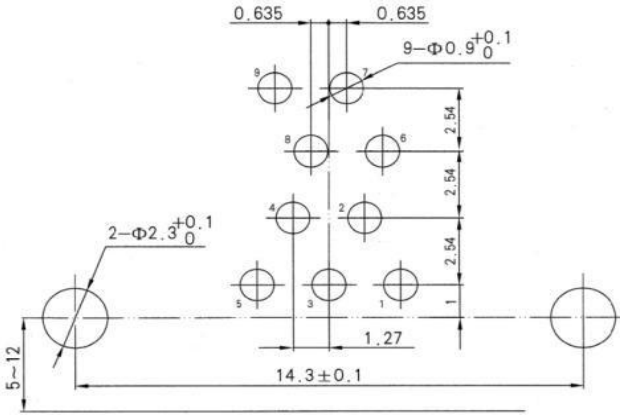


J30J-74ZKN-J

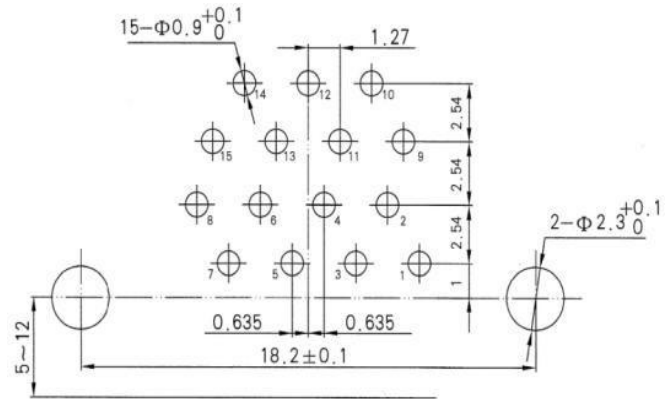


J30J-100ZKN-J

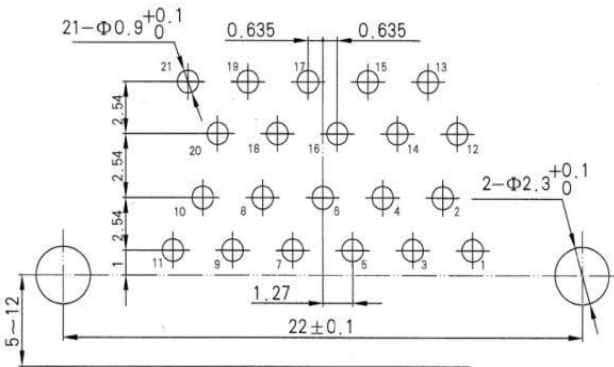
J30J-xTJW (Grid distance 2.54×2.54)



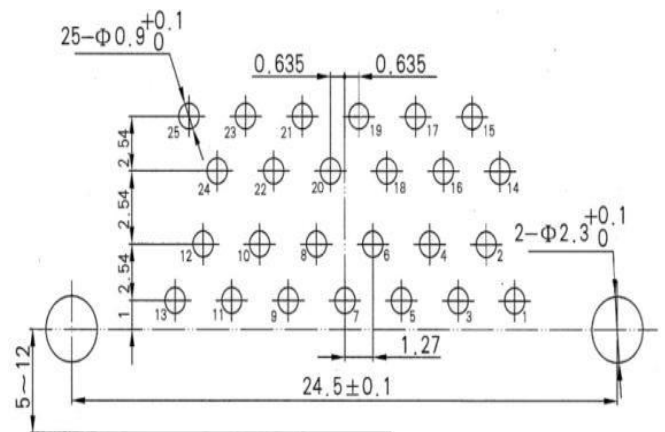
J30J-9TJW



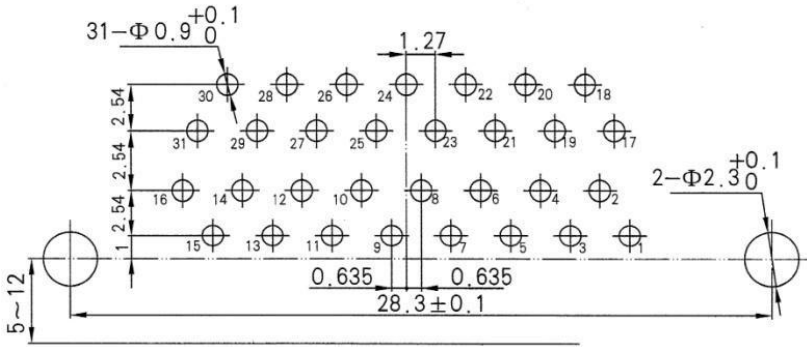
J30J-15TJW



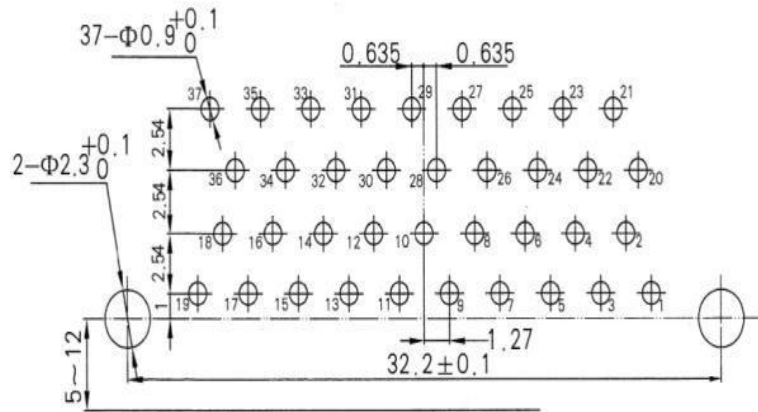
J30J-21TJW



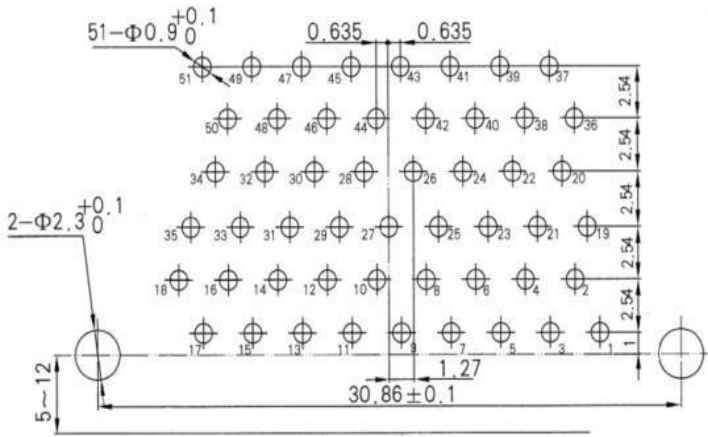
J30J-25TJW



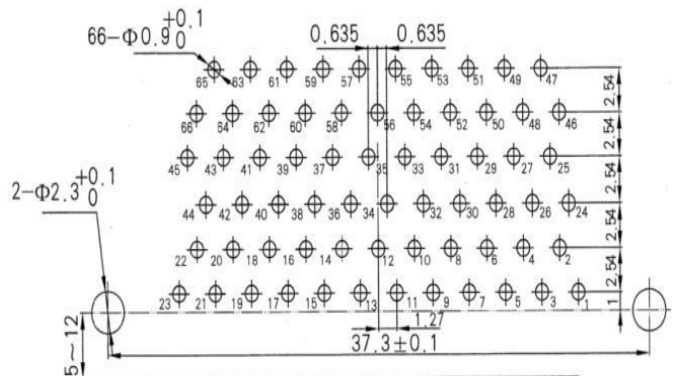
J30J-31TJW



J30J-37TJW

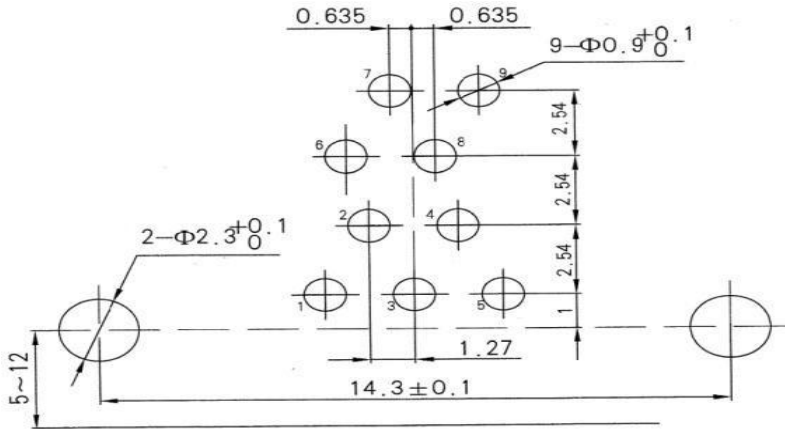


J30J-51TJW

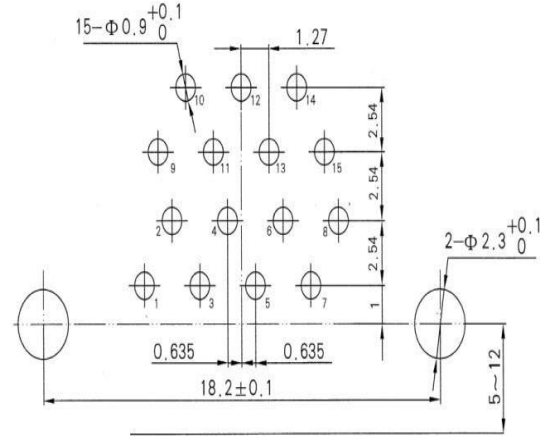


J30J-66TJW

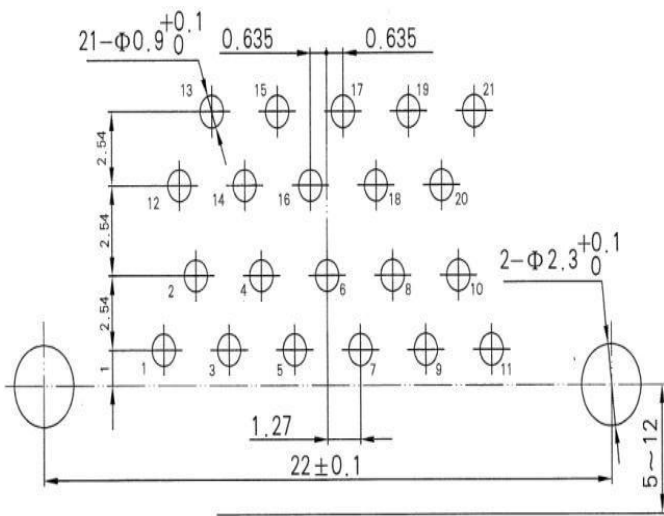
J30J-xZKW (Grid distance 2.54×2.54)



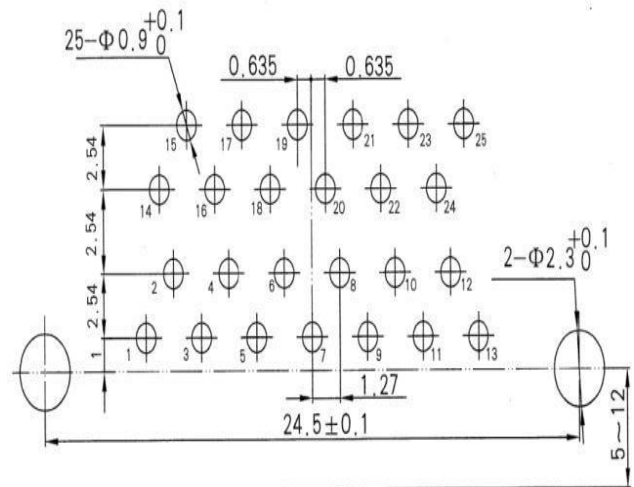
J30J-9ZKW



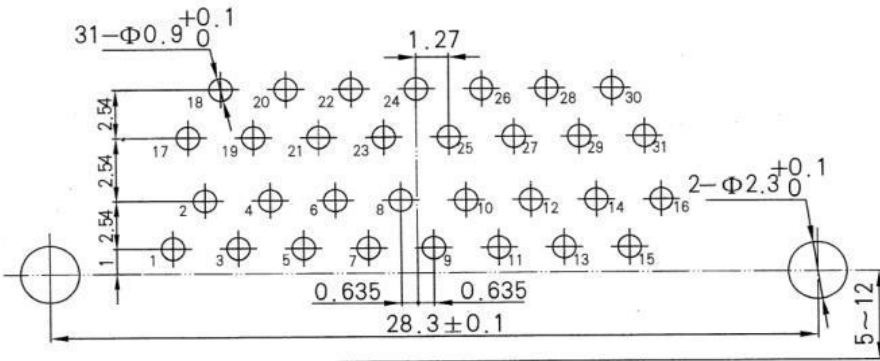
J30J-15ZKW



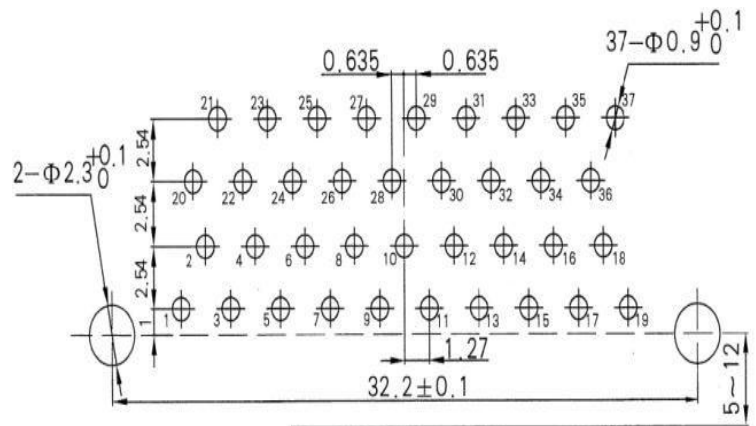
J30J-21ZKW



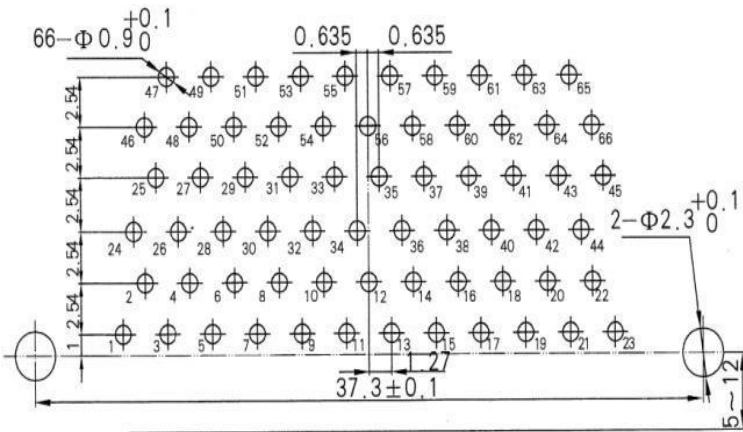
J30J-25ZKW



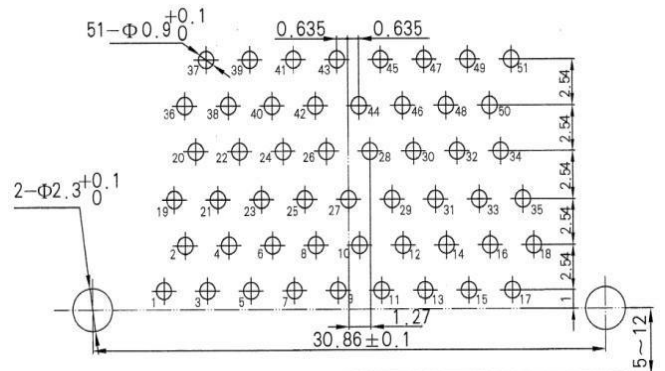
J30J-31ZKW



J30J-37ZKW

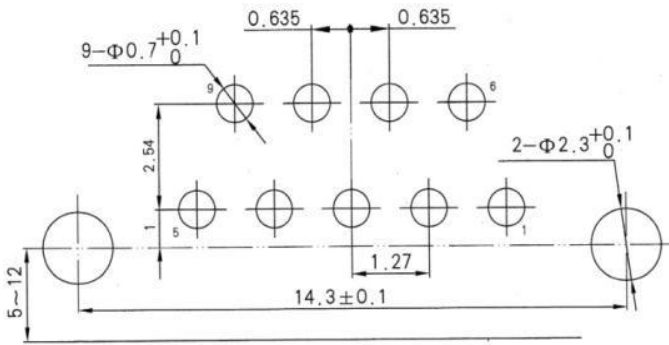


J30J-51ZKW

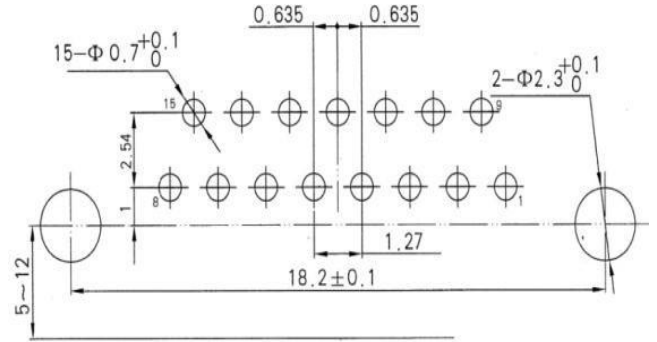


J30J-66ZKW

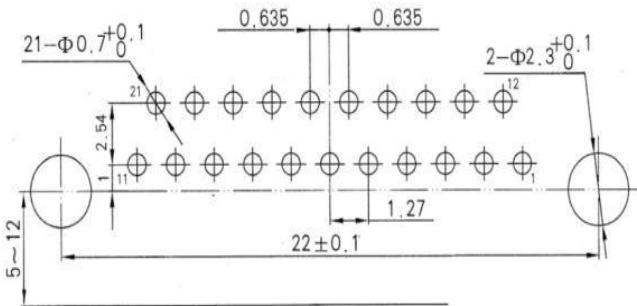
J30J-xTJW-J (Grid distance 1.27×2.54)



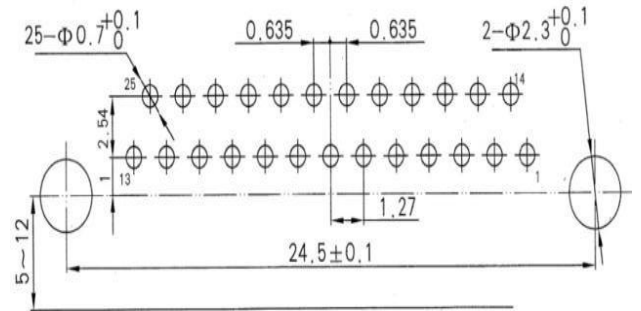
J30J-9TJW-J



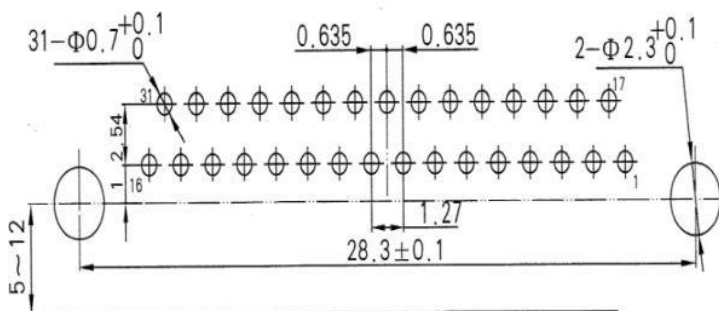
J30J-15TJW-J



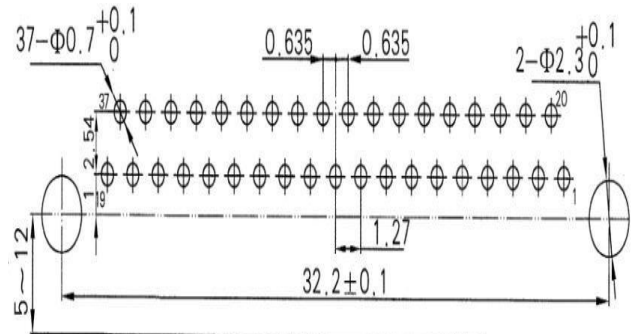
J30J-21TJW-J



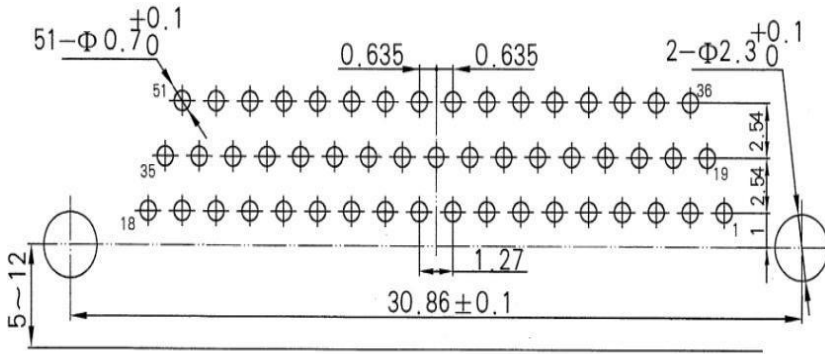
J30J-25TJW-J



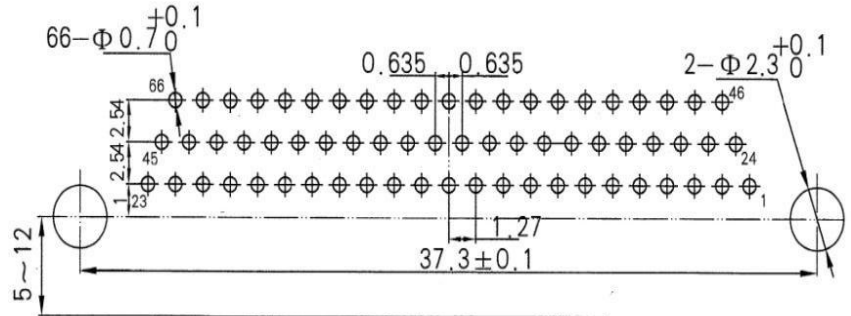
J30J-31TJW-J



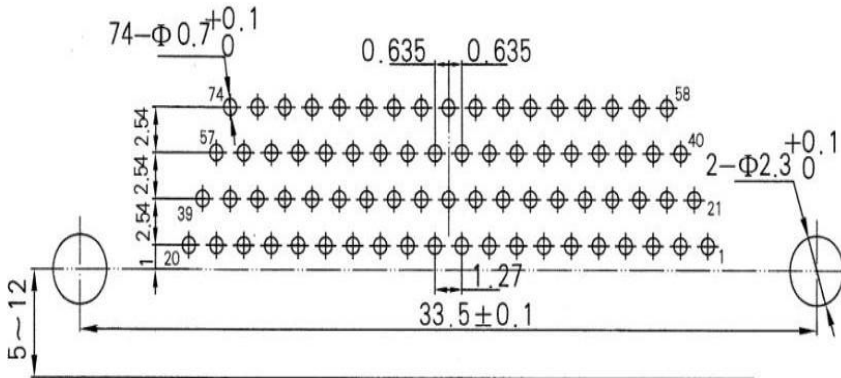
J30J-37TJW-J



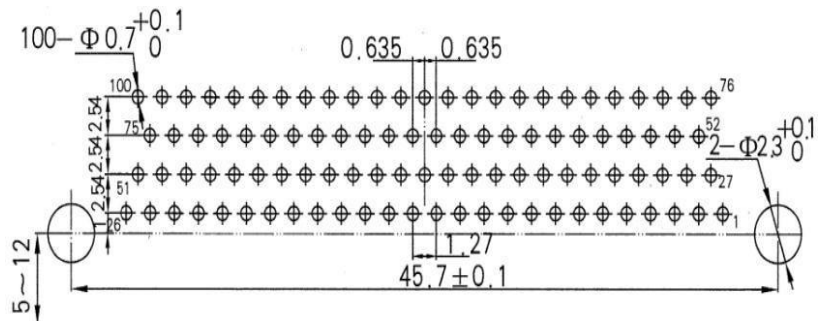
J30J-51TJW-J



J30J-66TJW-J

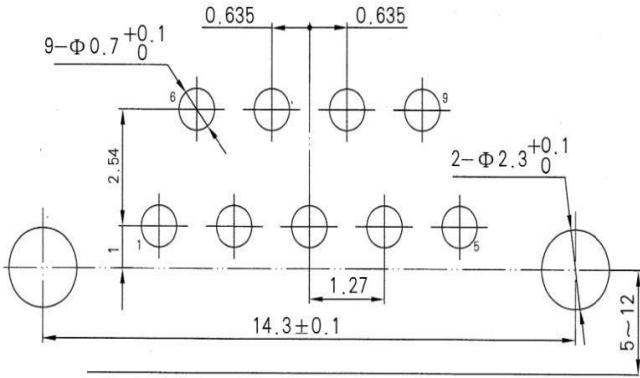


J30J-74TJW-J

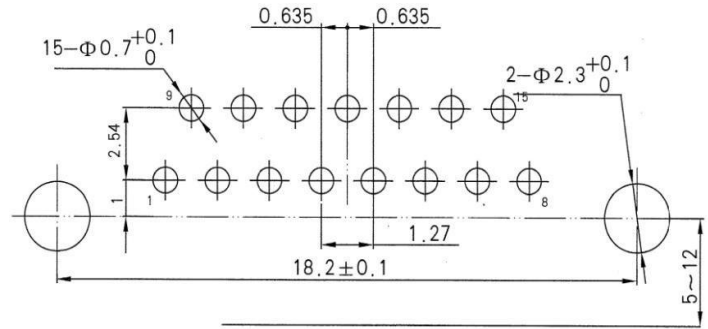


J30J-100TJW-J

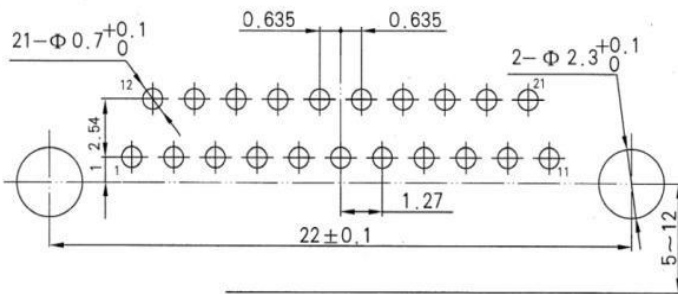
J30J-xZKW-J (Grid distance 1.27×2.54)



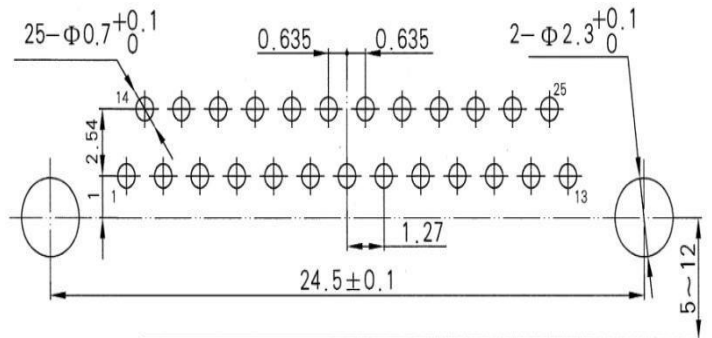
J30J-9ZKW-J



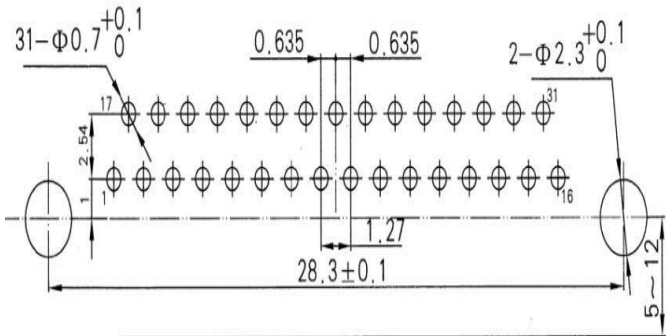
J30J-15ZKW-J



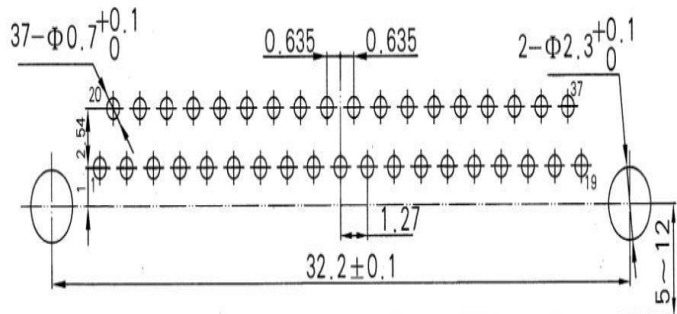
J30J-21ZKW-J



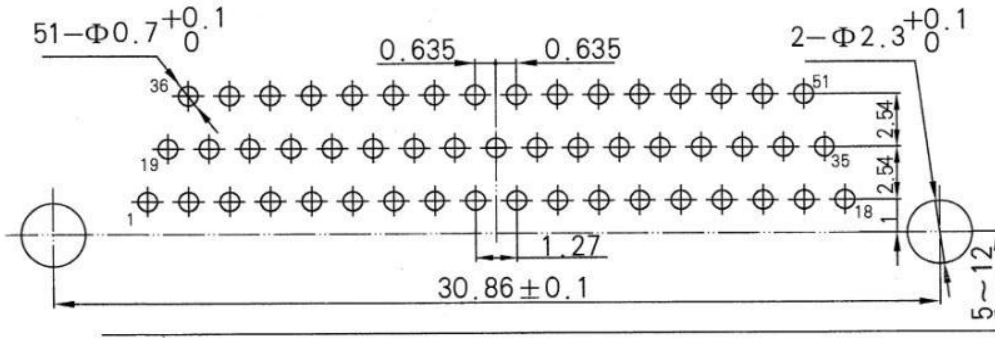
J30J-25ZKW-J



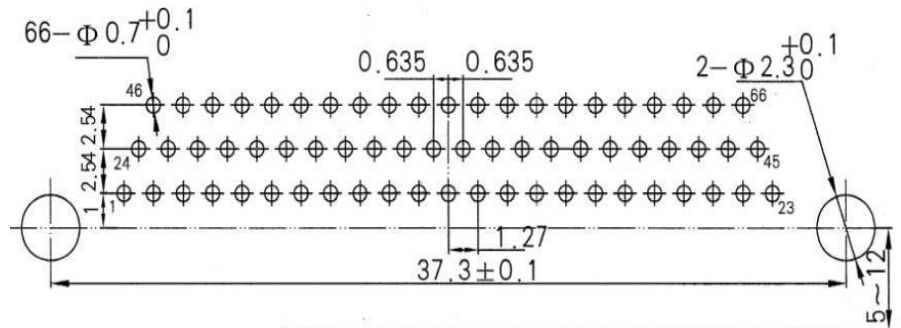
J30J-31ZKW-J



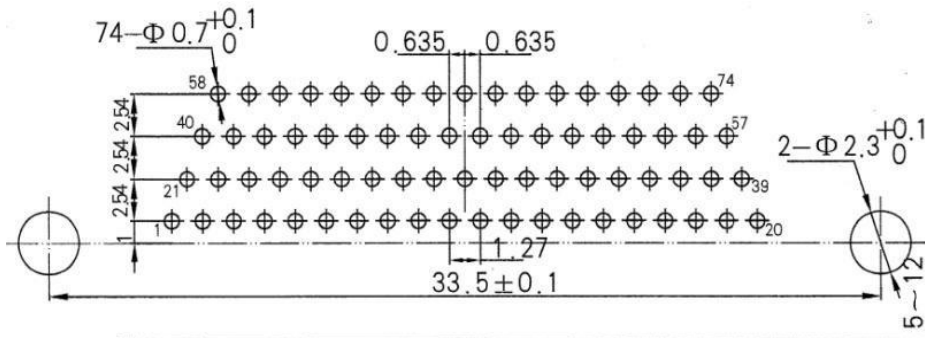
J30J-37ZKW-J



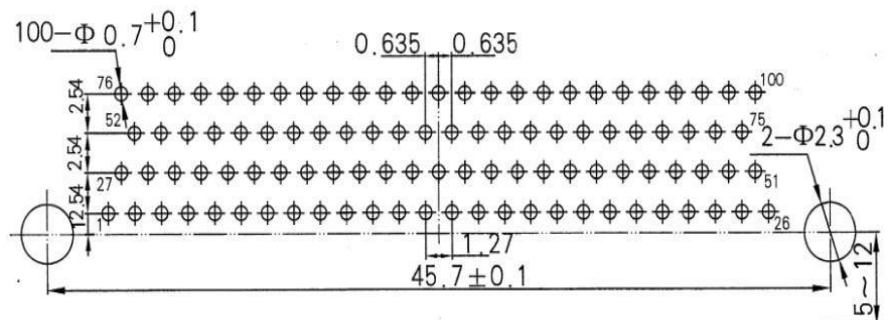
J30J-51ZKW-J



J30J-66ZKW-J



J30J-74ZKW-J



J30J-100ZKW-J