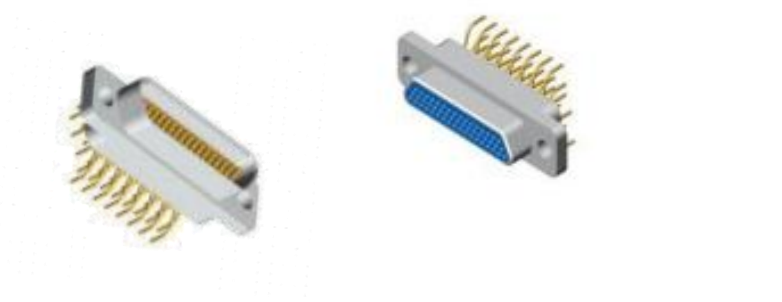


Straight PCB Micro-D J30J-TJN-J&J30J-ZKN-J

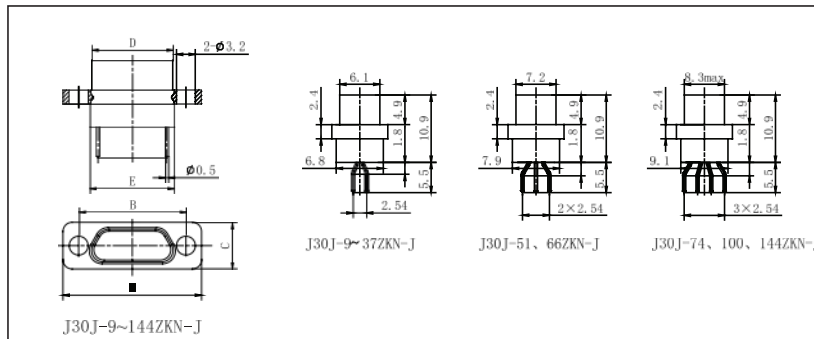
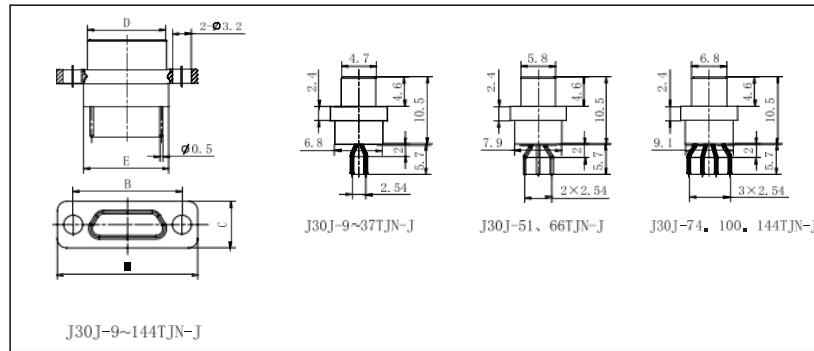


Description

The printed circuit board Micro-D connector offers easy installation directly to a PCB. PC tail contacts are available in three lengths with up to 100 per connector, providing design flexibility. Connectors are available with either pins or sockets.
Grid Distance: 1.27*2.54

Cross-Reference & Compatibility

Compatible Brands	Equivalents
MIL-DTL-83513 Micro-D	M83513/22, M83513/23, M83513/24, M83513/25, M83513/26, M83513/27
Glenair	MWDM
Amphenol	Series 100
ITT Cannon	MDM Series



Part number	A	B	C	D		E
J30J-9TJN/ZKN-J	19.6	14.3	7.6	8.3 (TJN-J)	9.8 (ZKN-J)	9.9
J30J-15TJN/ZKN-J	23.5	18.2	7.6	12.3 (TJN-J)	13.7 (ZKN-J)	13.8
J30J-21TJN/ZKN-J	27.4	22	7.6	16 (TJN-J)	17.4 (ZKN-J)	17.6
J30J-25TJN/ZKN-J	29.8	24.5	7.6	18.6 (TJN-J)	20 (ZKN-J)	20.2
J30J-31TJN/ZKN-J	33.6	28.3	7.6	22.4 (TJN-J)	23.8 (ZKN-J)	24
J30J-37TJN/ZKN-J	37.4	32.2	7.6	26.3 (TJN-J)	27.7 (ZKN-J)	27.8
J30J-51TJN/ZKN-J	36.4	30.86	8.7	25 (TJN-J)	26.5 (ZKN-J)	26.6
J30J-66TJN/ZKN-J	42.9	37.3	8.7	31.4 (TJN-J)	32.9 (ZKN-J)	33
J30J-74TJN/ZKN-J	38.8	33.5	9.7	27.5 (TJN-J)	29 (ZKN-J)	29.1
J30J-100TJN/ZKN-J	54.7	45.7	9.7	35 (TJN-J)	36.6 (ZKN-J)	36.6
J30J-144TJN/ZKN-J	66.6	58.6	9.7	49 (TJN-J)	50.6 (ZKN-J)	50.7