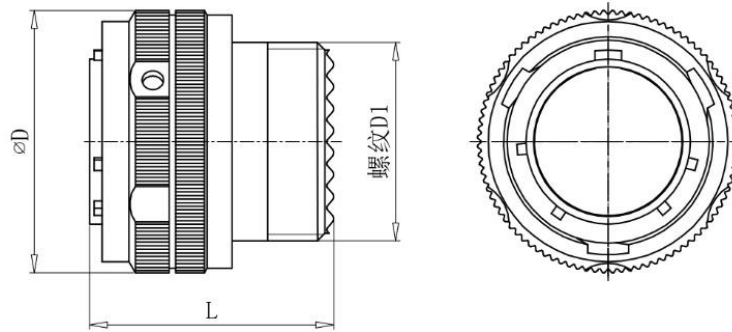




# JY3475/ JY3476 plug

## Cross-Reference & Compatibility

Compatible Brands	Equivalents	Mates
MIL-DTL-26482 Series II	MS3475,MS3476	MS3470,MS3471,MS3472,MS3474
Aero/Conesys	AE775,AE776	AE770,AE771,AE772,AE774
Amphenol MS3476	MB16,MB18	MB10,MB11,MB13,MB14
Deutsch	AFD56, AFD57	AFD50,AFD51,AFD54,AFD58
Souriau	8526-5, 8526-6	8526-0, 8526-7



## Plug Dimensions

Shell no	L	D	Screw thread D1 UNEF-2A
08	27.3	18.8	0.5000-20
10	27.3	21.5	0.6250-24
12	27.3	25.8	0.7500-20
14	27.3	29.2	0.8750-20
16	27.3	32.3	1.0000-20
18	27.3	35.4	1.0625-18
20	29.0	38.5	1.1875-18
22	29.0	41.7	1.3125-18
24	29.0	44.7	1.4375-18