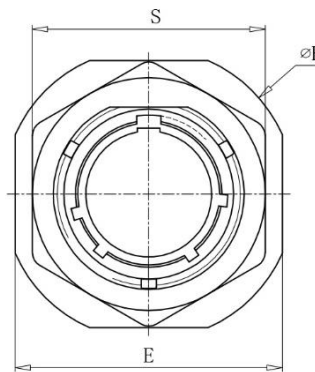
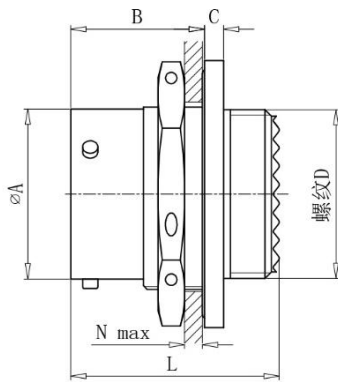




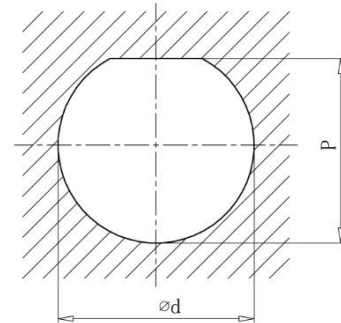
# JY3474 Jam nut receptacle

## Cross-Reference & Compatibility

Compatible Brands	Equivalents	Mates
MIL-DTL-26482 Series II	MS3474	MS3475, MS3476
Aero/Conesys	AE774	AE775, AE776
Amphenol	MB14	MB16, MB18
Deutsch	AFD54	AFD56, AFD57
Souriau	8526-7	8526-5, 8526-6



推荐面板开孔尺寸



## Receptacle Dimensions

Shell no	L	A	B	C	E	F	S	N	d	P	Screw thread DUNEF-2A
08	27.3	12.04	17.5	2.5	24.0	27.2	19.2	4.8	14.6	13.7	0.5000-20
10	27.3	15.00	17.5	2.5	27.0	30.4	22.5	4.8	17.8	16.9	0.6250-24
12	27.3	19.07	17.5	2.5	32.0	35.2	27.9	4.8	22.8	21.0	0.7500-20
14	27.3	22.25	17.5	2.5	35.0	38.3	30.5	4.8	25.7	24.1	0.8750-20
16	27.3	25.43	17.5	2.5	38.2	41.5	33.6	4.8	28.8	27.3	1.0000-20
18	27.3	28.60	17.5	2.5	41.34	44.44	36.8	4.8	32.1	30.5	1.0625-18
20	29.0	31.78	19.0	3.3	46.04	49.14	40.0	6.4	35.2	33.7	1.1875-18
22	29.0	34.95	19.0	3.3	49.24	52.24	43.2	6.4	38.4	36.8	1.3125-18
24	29.0	38.13	19.0	3.3	52.74	55.54	46.3	5.6	41.6	40.1	1.4375-18