

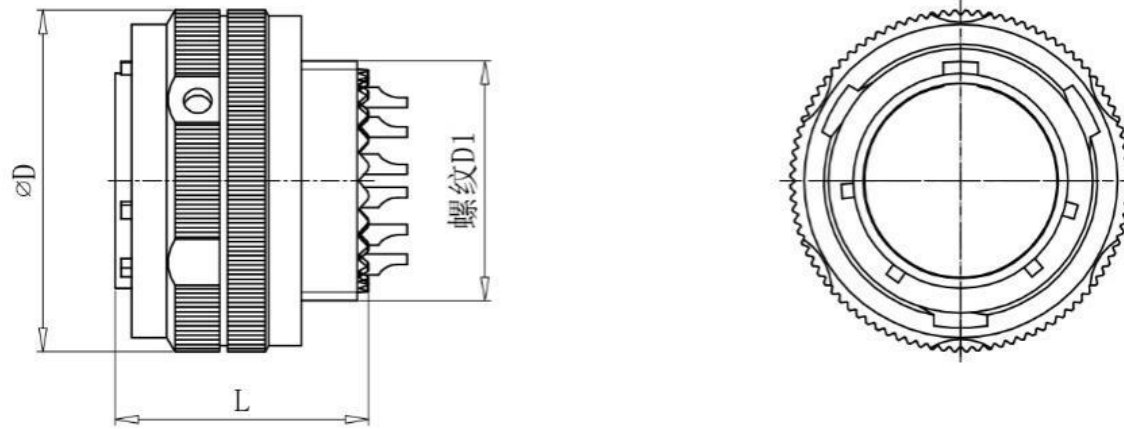
JY3116 R straight plug

- 1
- R [do not connect the tail accessories]
 - E [Seal grommet, conductive shell]
 - F [Seal grommet, with cableclamp, conductive shell]
 - P [Glue sealing, conductive shell]
 - J [For armored cable seal, conductive shell]

Cross-Reference & Compatibility

Compatible Brands	Equivalents	Mates
MIL-DTL-26482 Series I	MS3116	MS3110,MS3111,MS3112,MS3114
Amphenol	PT06	PT00,PY01,PT02,PT07
Array	PW06	PW00,PW01,PW02,PW07
ITT Cannon	KPT06	KPT00,KPT01,KPT02,KPT07
Souriau	85106	85100,85101,85102,85107

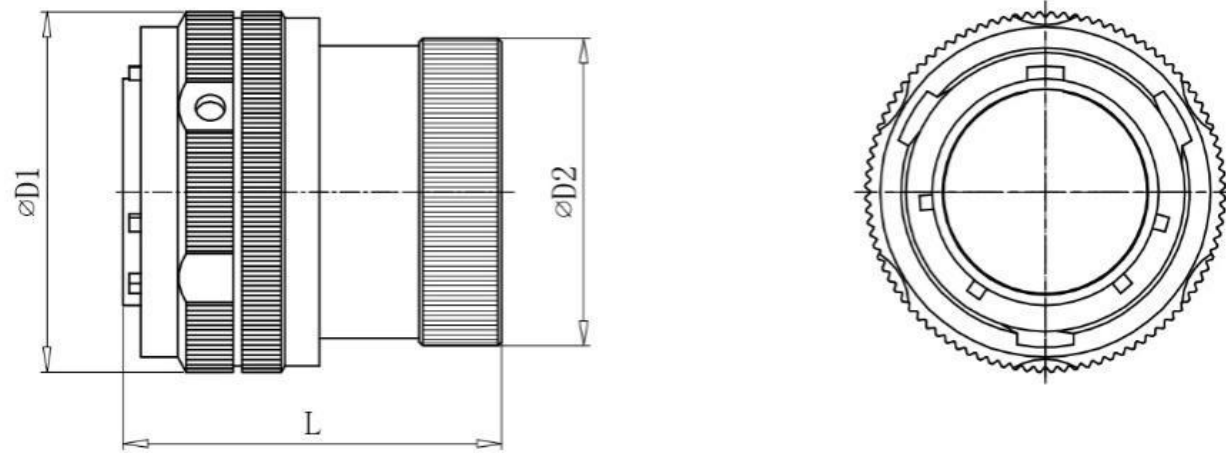
JY3116R [straight plug R]



Plug Dimensions

Shell no	L	D	Screw thread D1 UNEF-2A
08	21.7	18.8	0.4375-28
10	21.7	21.5	0.5625-24
12	21.7	25.8	0.6875-24
14	21.7	29.2	0.8125-20
16	21.7	32.3	0.9375-20
18	21.7	35.4	1.0625-18
20	23.3	38.5	1.1875-18
22	23.3	41.7	1.3125-18
24	23.3	44.7	1.4375-18

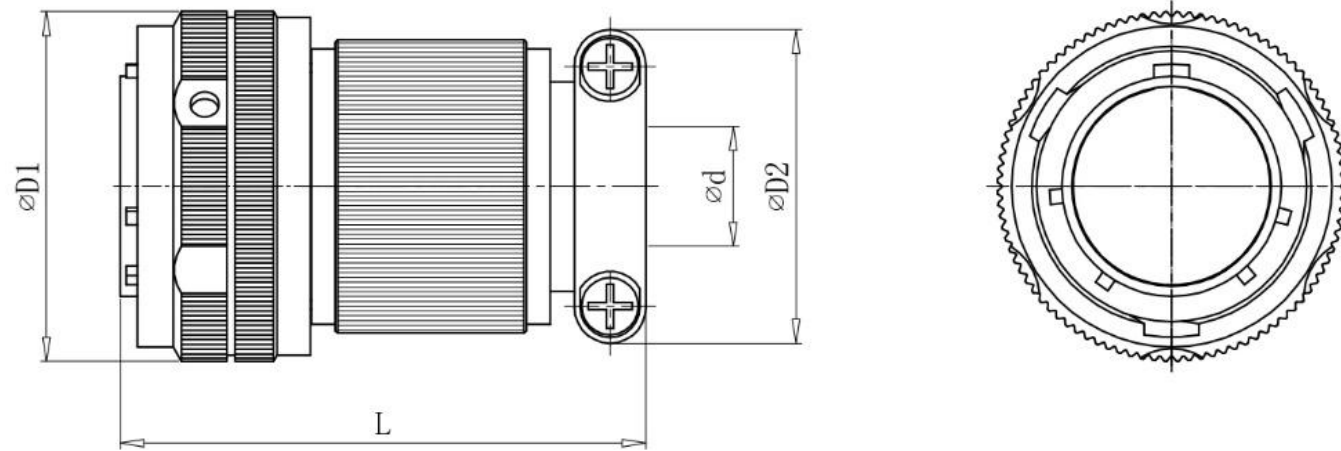
JY3116E [straight plug E]



Plug Dimensions

Shell no	L	D1	D2
08	30.7	18.8	15.5
10	30.7	21.5	18.7
12	30.7	25.8	21.7
14	30.7	29.2	24.9
16	30.7	32.3	28.2
18	30.7	35.4	31.2
20	32.3	38.5	34.6
22	32.3	41.7	37.6
24	32.3	44.7	40.9

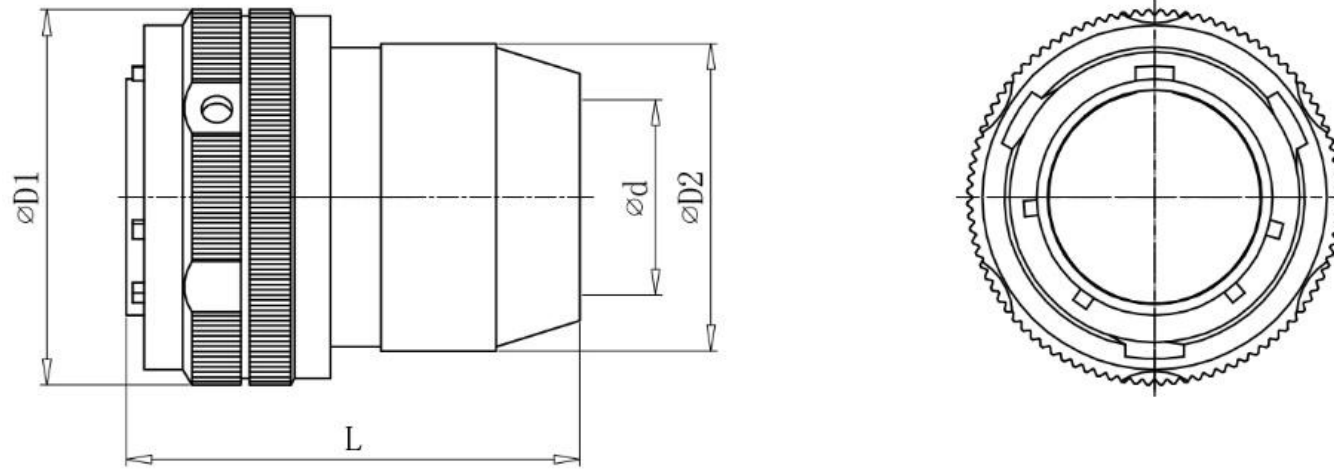
JY3116F [straight plug F]



Plug Dimensions

Shell no	L	D1	D2	d max
08	44.0	18.8	18.2	5.5
10	44.0	21.5	20.2	8.15
12	44.0	25.8	23.2	10.0
14	44.0	29.2	26.2	10.0
16	44.0	32.3	31.2	13.0
18	44.0	35.4	34.2	16.0
20	45.6	38.5	34.2	16.0
22	45.6	41.7	38.2	19.3
24	45.6	44.7	41.2	20.6

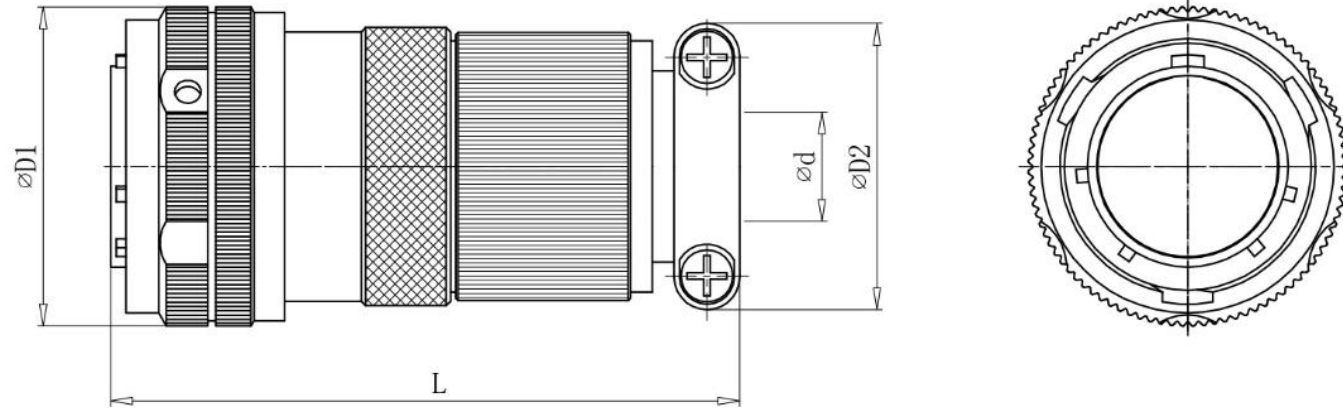
JY3116P [straight plug P]



Plug Dimensions

Shell no	L max	D1	D2	d max
08	36.2	18.8	15.3	10.46
10	36.2	21.5	17.7	13.55
12	36.2	25.8	21.7	13.96
14	36.2	29.2	23.9	17.42
16	36.2	32.3	27.0	20.56
18	37.7	35.4	30.5	23.66
20	42.4	38.5	33.6	23.92
22	42.4	41.7	37.1	25.52
24	42.8	44.7	40.0	32.00

JY3116J [straight plug J]



Plug Dimensions

Shell no	L max	D1	D2	d max
08	57.6	18.8	18.2	5.5
10	57.6	21.5	20.2	8.15
12	61.2	25.8	23.2	10.0
14	66.0	29.2	26.2	10.0
16	74.7	32.3	31.2	13.0
18	80.5	35.4	34.2	16.0
20	91.6	38.5	34.2	16.0
22	95.6	41.7	38.2	19.3
24	101.2	44.7	41.2	20.6