

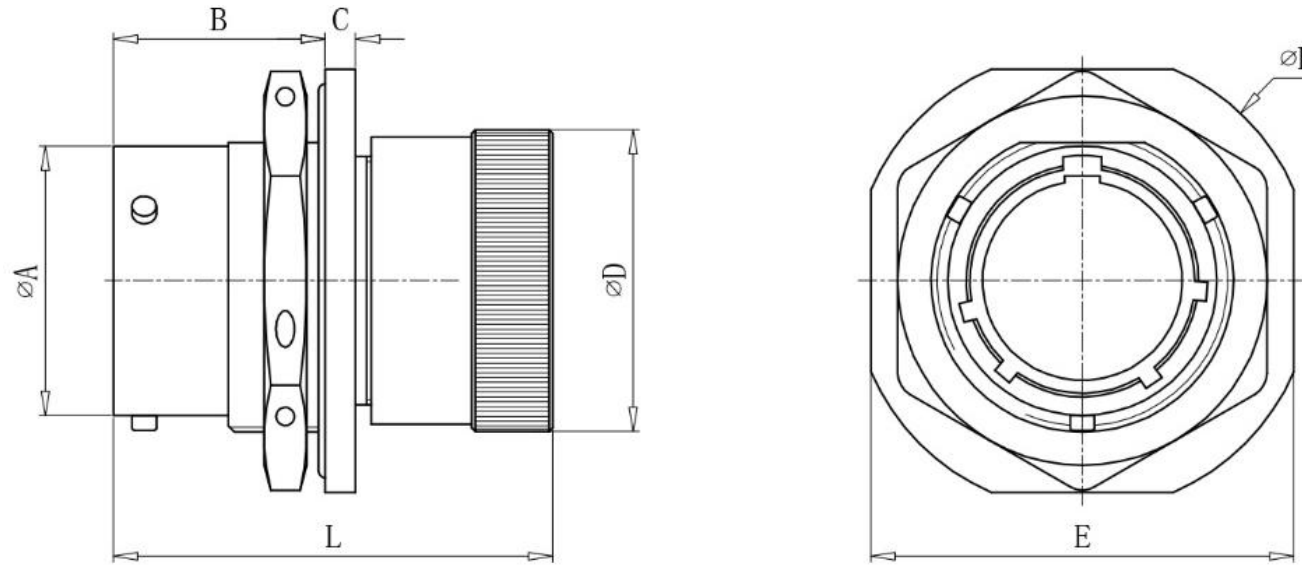
JY3114 E Jam nut receptacle

- 1
- 1
- R [do not connect the tail accessories]
 - E [Seal grommet, conductive shell]
 - F [Seal grommet, with cableclamp,conductive shell]
 - P [Glue sealing, conductive shell]
 - B [Printing plate type]

Cross-Reference & Compatibility

Compatible Brands	Equivalents	Mates
MIL-DTL-26482 Series I	MS3114	MS3116
Amphenol	PT07	PT06,PT08
Array	PW07	PW06,PW08
ITT Cannon	KPT07	KPT06,KPT08
Souriau	85107	85106,85108

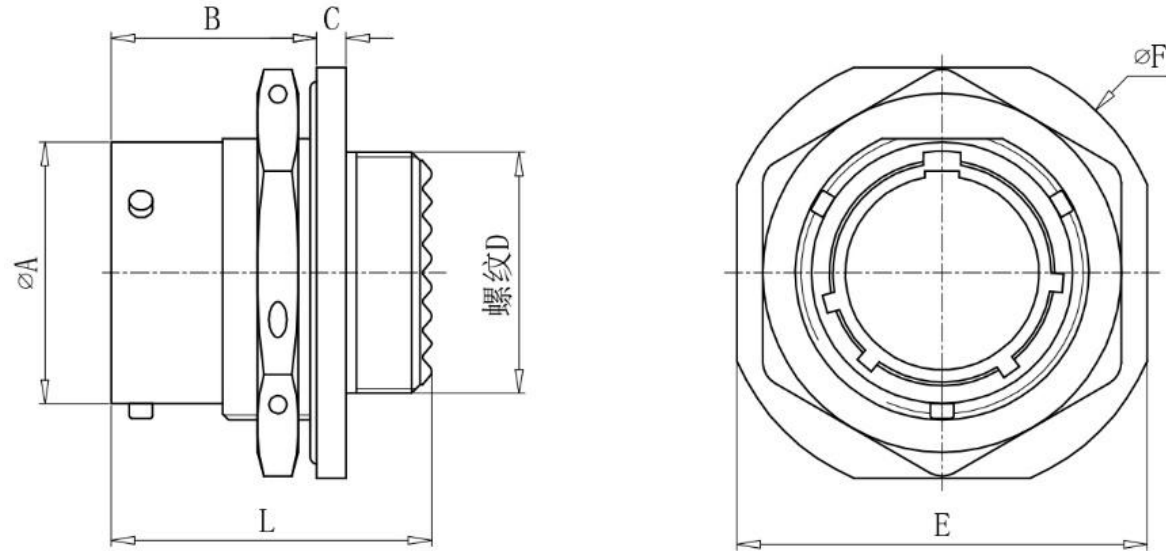
JY3114E [Jam nut receptacle E]



Receptacle Dimensions

Shell no	L	A	B	C	D	E	F max
08	36.3	12.04	17.5	2.5	15.5	23.94	26.94
10	36.3	15.00	17.5	2.5	18.7	26.94	30.14
12	36.3	19.07	17.5	2.5	21.7	31.74	34.94
14	36.3	22.25	17.5	2.5	24.9	34.94	38.04
16	36.3	25.43	17.5	2.5	28.2	38.24	41.24
18	36.3	28.60	17.5	2.5	31.2	41.34	44.44
20	41.8	31.78	22.4	3.8	34.6	46.04	49.14
22	41.8	34.95	22.4	3.8	37.6	49.24	52.24
24	41.8	38.13	23.0	3.8	40.9	54.74	55.54

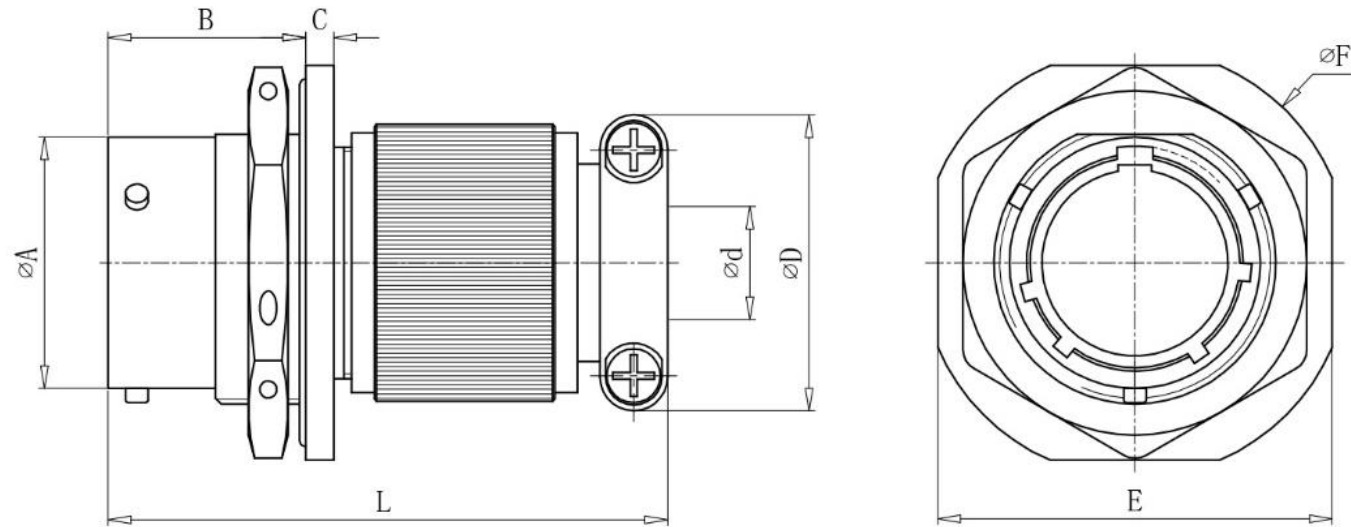
JY3114R [Jam nut receptacle R]



Receptacle Dimensions

Shell no	L	A	B	C	E	F max	Screw thread DUNEF-2A
08	27.3	12.04	17.5	2.5	23.94	26.94	0.4375-28
10	27.3	15.00	17.5	2.5	26.94	30.14	0.5625-24
12	27.3	19.07	17.5	2.5	31.74	34.94	0.6875-24
14	27.3	22.25	17.5	2.5	34.94	38.04	0.8125-20
16	27.3	25.43	17.5	2.5	38.24	41.24	0.9375-20
18	27.3	28.60	17.5	2.5	41.34	44.44	1.0625-18
20	32.8	31.78	22.4	3.8	46.04	49.14	1.1875-18
22	32.8	34.95	22.4	3.8	49.24	52.24	1.3125-18
24	32.8	38.13	23.0	3.8	54.74	55.54	1.4375-18

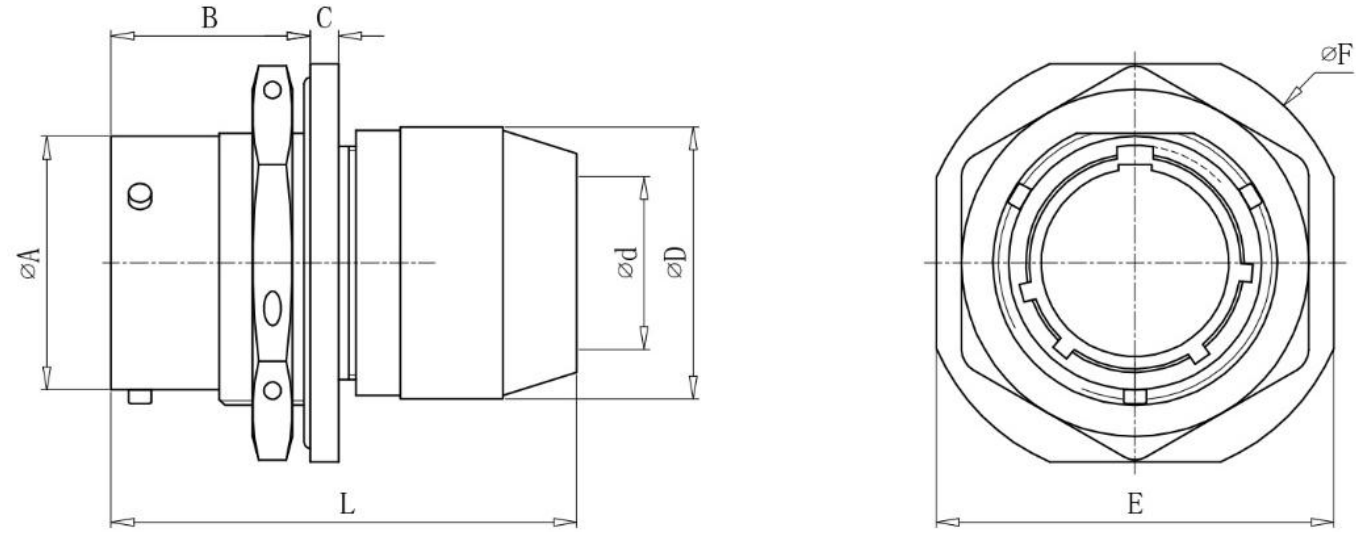
JY3114F [Jam nut receptacle F]



Receptacle Dimensions

Shell no	L	A	B	C	D	d max	E	F max
08	49.6	12.04	17.5	2.5	18.2	5.5	23.94	26.94
10	49.6	15.00	17.5	2.5	20.2	8.15	26.94	30.14
12	49.6	19.07	17.5	2.5	23.2	10.0	31.74	34.94
14	49.6	22.25	17.5	2.5	26.2	10.0	34.94	38.04
16	49.6	25.43	17.5	2.5	31.2	13.0	38.24	41.24
18	49.6	28.60	17.5	2.5	34.2	16.0	41.34	44.44
20	55.1	31.78	22.4	3.8	34.2	16.0	46.04	49.14
22	55.1	34.95	22.4	3.8	38.2	19.3	49.24	52.24
24	55.1	38.13	23.0	3.8	41.2	20.6	54.74	55.54

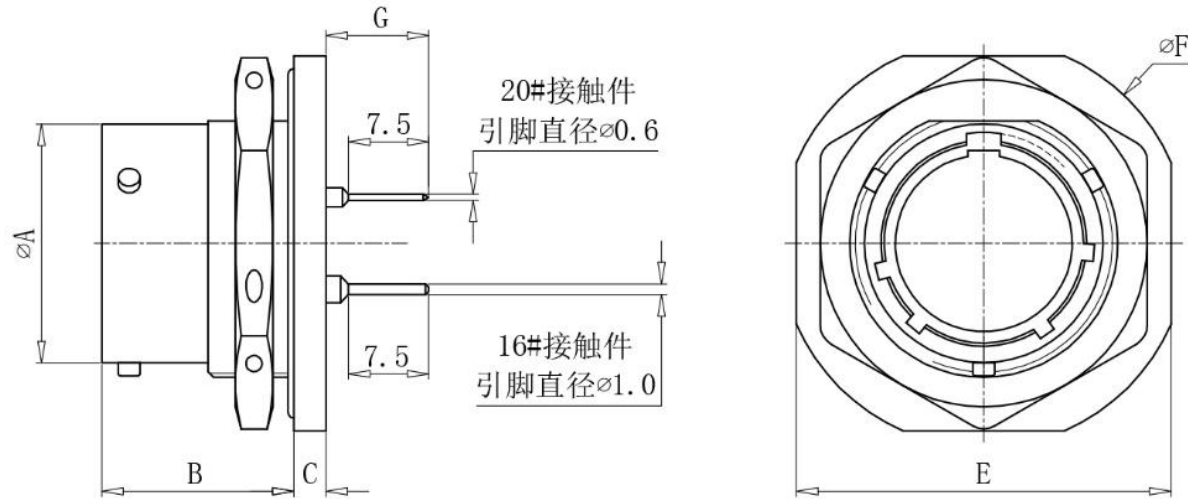
JY3114P [Jam nut receptacle P]



Receptacle Dimensions

Shell no	L max	A	B	C	D	d max	E	F max
08	41.8	12.04	17.5	2.5	15.3	10.46	23.94	26.94
10	41.8	15.00	17.5	2.5	17.7	13.55	26.94	30.14
12	41.8	19.07	17.5	2.5	21.7	13.96	31.74	34.94
14	41.8	22.25	17.5	2.5	23.9	17.42	34.94	38.04
16	41.8	25.43	17.5	2.5	27.0	20.56	38.24	41.24
18	41.8	28.60	17.5	2.5	30.5	23.66	41.34	44.44
20	51.9	31.78	22.4	3.8	33.6	23.92	46.04	49.14
22	51.9	34.95	22.4	3.8	37.1	25.52	49.24	52.24
24	52.3	38.13	23.0	3.8	40.0	32.00	54.74	55.54

JY3114B [Jam nut receptacle B]



Receptacle Dimensions

Shell no	A	B	C	G	E	F max
08	12.04	17.9	3.0	9.6	23.94	26.94
10	15.00	17.9	3.0	9.6	26.94	30.14
12	19.07	17.9	3.0	9.6	31.74	34.94
14	22.25	17.9	3.0	9.6	34.94	38.04
16	25.43	17.9	3.0	9.6	38.24	41.24
18	28.60	17.9	3.0	9.6	41.34	44.44
20	31.78	20.4	3.3	8.4	46.04	49.14
22	34.95	20.4	3.3	8.4	49.24	52.24
24	38.13	20.9	3.3	7.9	54.74	55.54