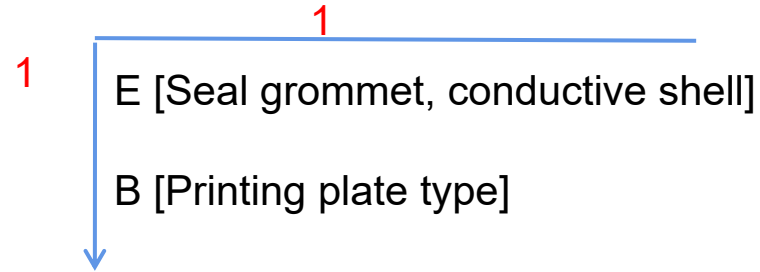


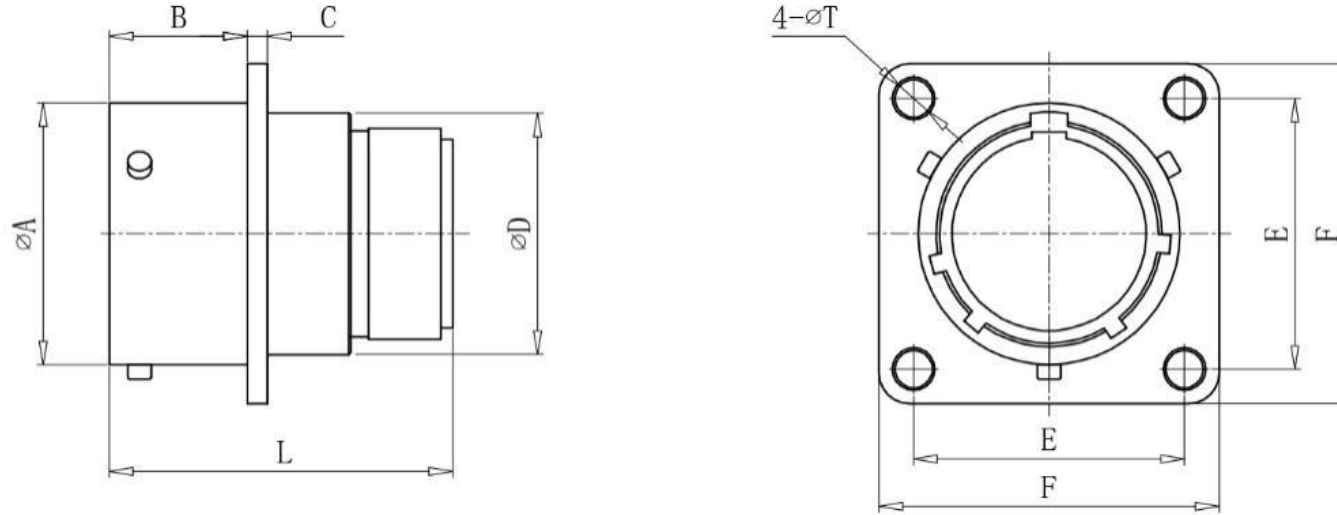
JY3112 E box flange receptacle



Cross-Reference & Compatibility

| Compatible Brands | Equivalents | Mates |
|---------------------------|-------------|-------------|
| MIL-DTL-26482 Series I | MS3112 | MS3116 |
| Amphenol | PT02 | PT06,PT08 |
| Array | PW02 | PW06,PW08 |
| ITT Cannon | KPT02 | KPT06,KPT08 |
| Souriau | 85102E-50 | 85106,85108 |

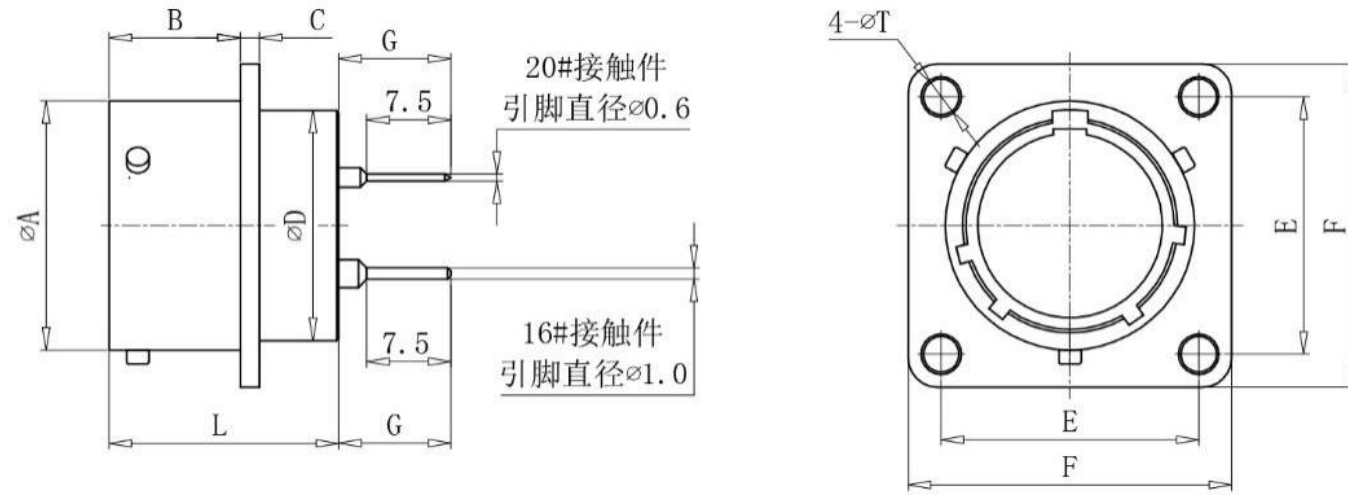
JY3112E [box flange receptacle E]



Receptacle Dimensions

| Shell no | L | A | B | C | D max | E | F max | T |
|----------|------|-------|------|-----|-------|-------|-------|-----|
| 08 | 29.2 | 12.04 | 11.7 | 1.7 | 10.84 | 15.09 | 20.99 | 3.2 |
| 10 | 29.2 | 15.00 | 11.7 | 1.7 | 13.99 | 18.26 | 24.19 | 3.2 |
| 12 | 29.2 | 19.07 | 11.7 | 1.7 | 17.37 | 20.62 | 26.54 | 3.2 |
| 14 | 29.2 | 22.25 | 11.7 | 1.7 | 20.57 | 23.0 | 28.89 | 3.2 |
| 16 | 29.2 | 25.43 | 11.7 | 1.7 | 23.72 | 24.61 | 31.29 | 3.2 |
| 18 | 29.2 | 28.60 | 11.7 | 1.7 | 26.69 | 26.97 | 33.69 | 3.2 |
| 20 | 30.8 | 31.78 | 14.3 | 2.2 | 29.89 | 29.36 | 36.89 | 3.2 |
| 22 | 30.8 | 34.95 | 14.3 | 2.2 | 33.04 | 31.75 | 39.99 | 3.2 |
| 24 | 30.8 | 38.13 | 15.0 | 2.2 | 26.24 | 34.92 | 43.15 | 3.8 |

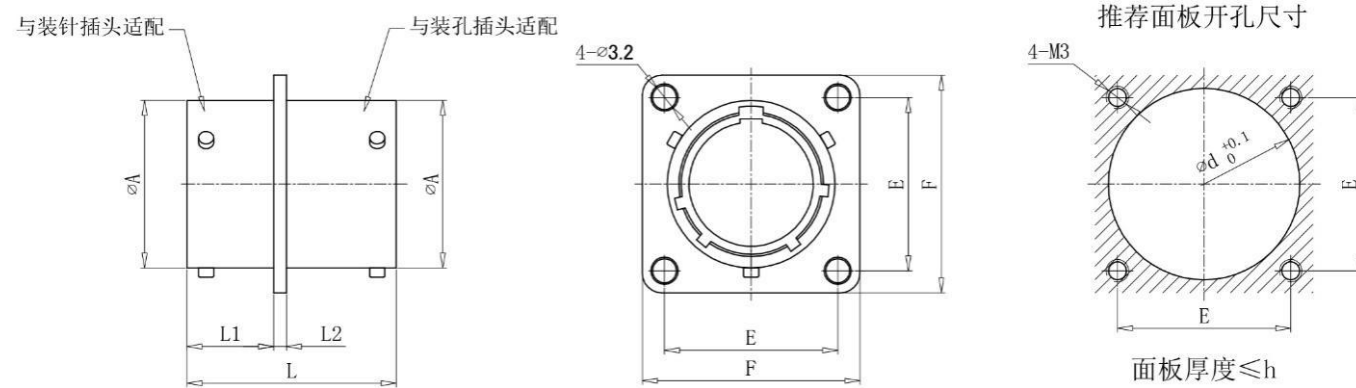
JY3112B [box flange receptacle B]



Receptacle Dimensions

| Shell no | L | A | B | C | D max | G max | E | F max | T |
|----------|------|-------|------|-----|-------|-------|-------|-------|-----|
| 08 | 20.5 | 12.04 | 11.7 | 1.7 | 10.84 | 10.5 | 15.09 | 20.99 | 3.2 |
| 10 | 20.5 | 15.00 | 11.7 | 1.7 | 13.99 | 10.5 | 18.26 | 24.19 | 3.2 |
| 12 | 20.5 | 19.07 | 11.7 | 1.7 | 17.37 | 10.5 | 20.62 | 26.54 | 3.2 |
| 14 | 20.5 | 22.25 | 11.7 | 1.7 | 20.57 | 10.5 | 23.0 | 28.89 | 3.2 |
| 16 | 20.5 | 25.43 | 11.7 | 1.7 | 23.72 | 10.5 | 24.61 | 31.29 | 3.2 |
| 18 | 20.5 | 28.60 | 11.7 | 1.7 | 26.69 | 10.5 | 26.97 | 33.69 | 3.2 |
| 20 | 23.3 | 31.78 | 14.3 | 2.2 | 29.89 | 8.6 | 29.36 | 36.89 | 3.2 |
| 22 | 23.3 | 34.95 | 14.3 | 2.2 | 33.04 | 8.6 | 31.75 | 39.99 | 3.2 |
| 24 | 23.3 | 38.13 | 15.0 | 2.2 | 26.24 | 8.6 | 34.92 | 43.15 | 3.8 |

JY3112R [box flange receptacle R]



Receptacle Dimensions

| Shell no | A | E | F max | L | L1 | L2 | d | h |
|----------|-------|-------|-------|------|------|-----|------|-----|
| 08 | 12.04 | 15.09 | 20.99 | 27.8 | 11.5 | 1.7 | 14.9 | 4.0 |
| 10 | 15.00 | 18.26 | 24.19 | 27.8 | 11.5 | 1.7 | 17.7 | 4.0 |
| 12 | 19.07 | 20.62 | 26.54 | 27.8 | 11.5 | 1.7 | 22.2 | 4.0 |
| 14 | 22.25 | 23.00 | 28.89 | 27.8 | 11.5 | 1.7 | 25.4 | 4.0 |
| 16 | 25.43 | 24.61 | 31.29 | 27.8 | 11.5 | 1.7 | 28.5 | 4.0 |
| 18 | 28.60 | 26.97 | 33.69 | 27.8 | 11.5 | 1.7 | 31.8 | 4.0 |
| 20 | 31.78 | 29.36 | 36.89 | 31.0 | 14.1 | 2.5 | 34.8 | 4.7 |
| 22 | 34.95 | 31.75 | 39.99 | 31.0 | 14.1 | 2.5 | 38.1 | 4.7 |
| 24 | 38.13 | 34.92 | 43.15 | 31.0 | 14.1 | 2.5 | 41.2 | 2.8 |