

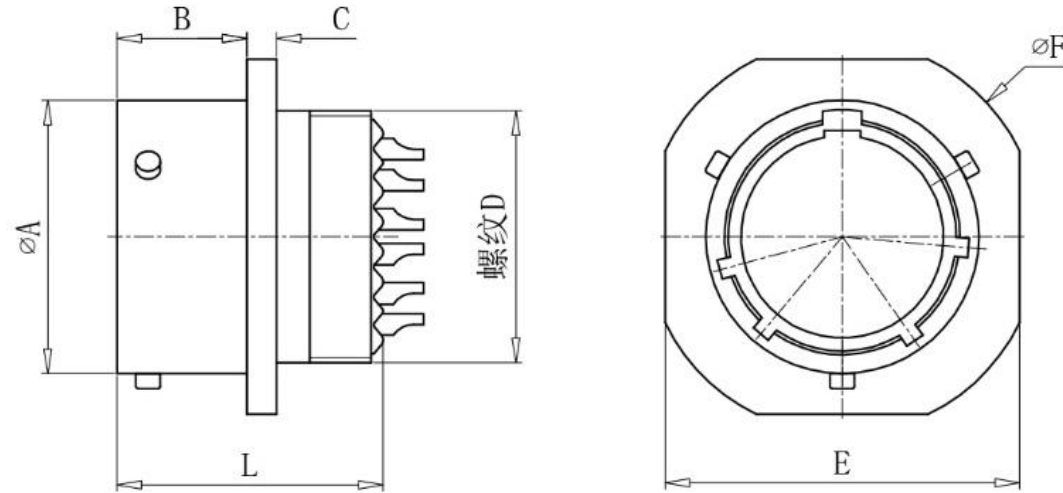
JY3111 R cable connect receptacle R

- 1
- 1
- R [do not connect the tail accessories]
 - E [Seal grommet, conductive shell]
 - F [Seal grommet, with cableclamp,conductive shell]
 - P [Glue sealing, conductive shell]
 - J [For armored cable seal, conductive shell]

Cross-Reference & Compatibility

Compatible Brands	Equivalents	Mates
MIL-DTL-26482 Series I	MS3111	MS3116
Amphenol	PT01	PT06,PT08
Array	PW01	PW06,PW08
ITT Cannon	KPT01	KPT06,KPT08
Souriau	85101	85106,85108

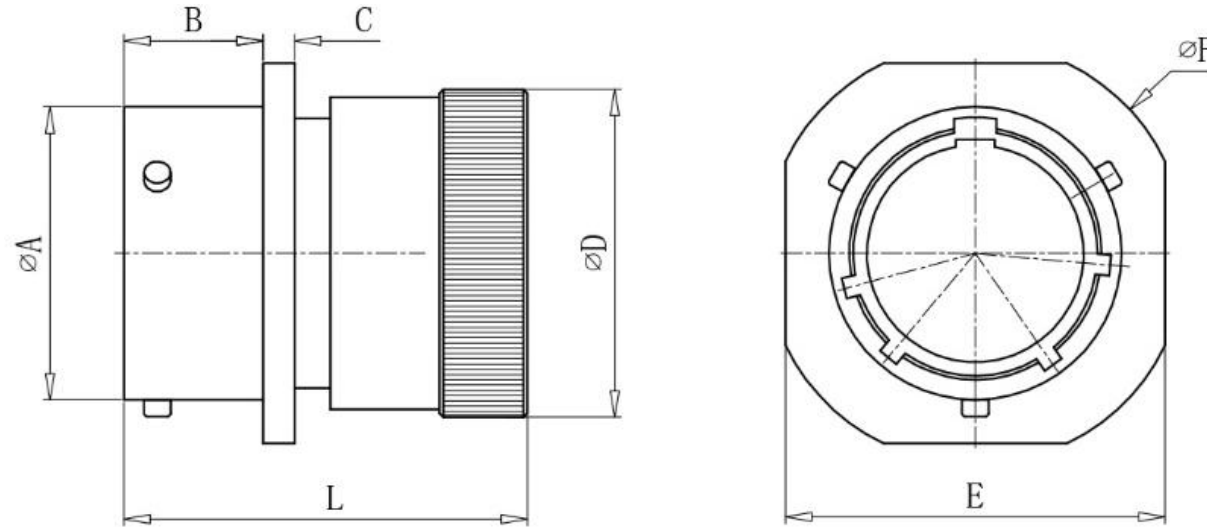
JY3111R [cable connect receptacle R]



Receptacle Dimensions

Shell no	L	A	B	C	E	F max	screw thread DUNEF-2A
08	21.7	12.04	10.6	2.4	20.99	24.24	0.4375-28
10	21.7	15.00	10.6	2.4	24.19	27.44	0.5625-24
12	21.7	19.07	10.6	2.4	26.54	29.79	0.6875-24
14	21.7	22.25	10.6	2.4	28.89	32.10	0.8125-20
16	21.7	25.43	10.6	2.4	31.29	34.59	0.9375-20
18	21.7	28.60	10.6	2.4	33.69	36.94	1.0625-18
20	23.6	31.78	13.7	2.8	36.89	40.14	1.1875-18
22	23.6	34.95	13.7	2.8	40.00	43.24	1.3125-18
24	23.6	38.13	14.4	2.8	43.29	46.44	1.4375-18

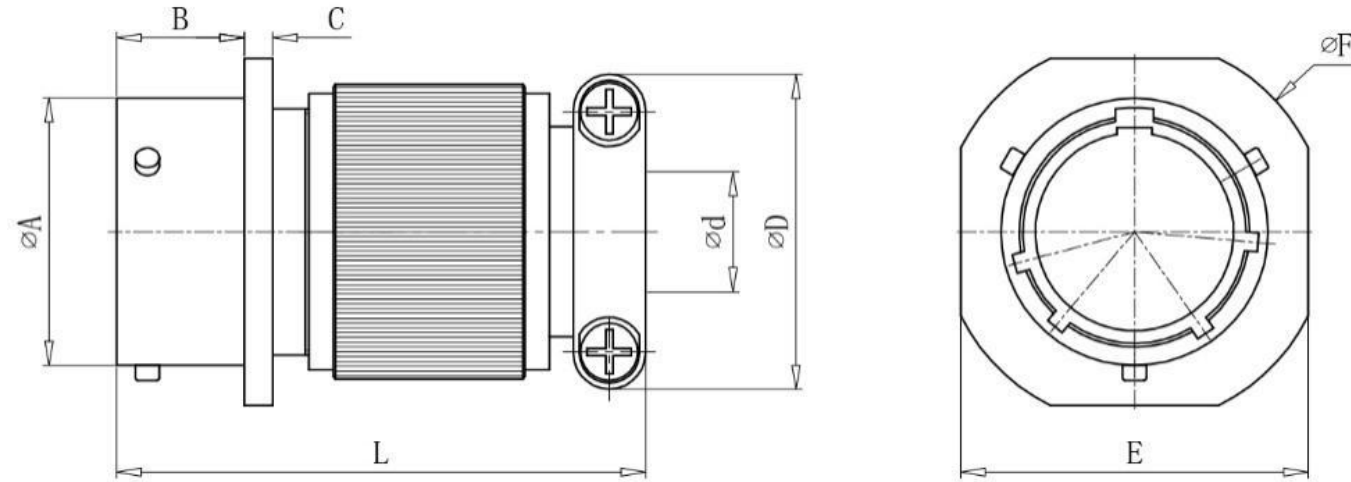
JY3111E [cable connect receptacle E]



Receptacle Dimensions

Shell no	L	A	B	C	D	E	F max
08	30.7	12.04	10.6	2.4	15.5	20.99	24.24
10	30.7	15.00	10.6	2.4	18.7	24.19	27.44
12	30.7	19.07	10.6	2.4	21.7	26.54	29.79
14	30.7	22.25	10.6	2.4	24.9	28.89	32.10
16	30.7	25.43	10.6	2.4	28.2	31.29	34.59
18	30.7	28.60	10.6	2.4	31.2	33.69	36.94
20	32.6	31.78	13.7	2.8	34.6	36.89	40.14
22	32.6	34.95	13.7	2.8	37.6	40.00	43.24
24	32.6	38.13	14.4	2.8	40.9	43.29	46.44

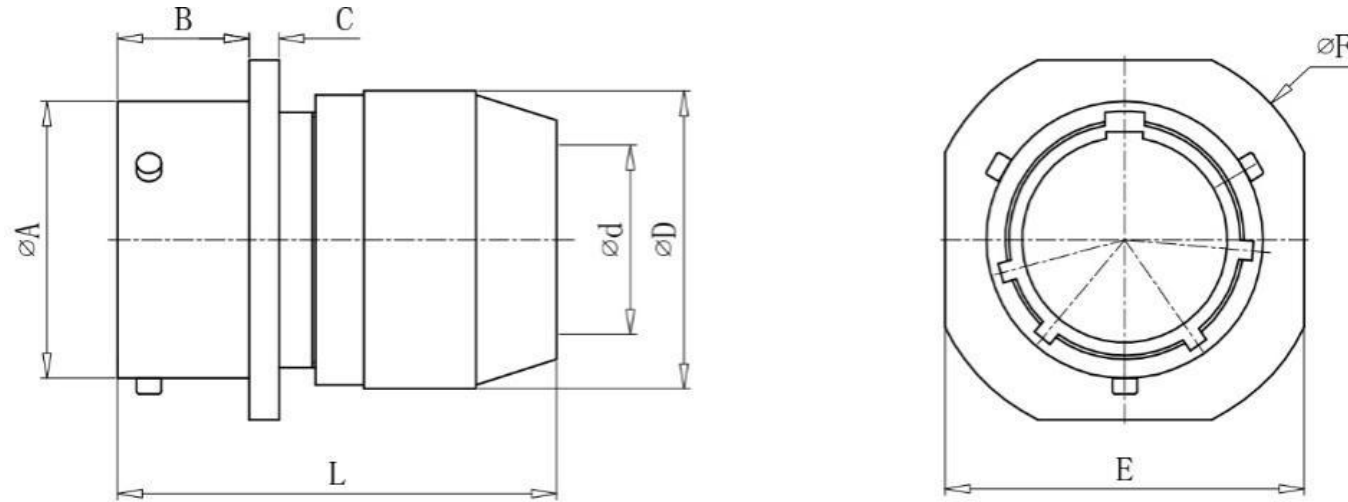
JY3111F [cable connect receptacle F]



Receptacle Dimensions

Shell no	L	A	B	C	D	d max	E	F max
08	44.0	12.04	10.6	2.4	18.2	5.5	20.99	24.24
10	44.0	15.00	10.6	2.4	20.2	8.15	24.19	27.44
12	44.0	19.07	10.6	2.4	23.2	10.0	26.54	29.79
14	44.0	22.25	10.6	2.4	26.2	10.0	28.89	32.10
16	44.0	25.43	10.6	2.4	31.2	13.0	31.29	34.59
18	44.0	28.60	10.6	2.4	34.2	16.0	33.69	36.94
20	45.9	31.78	13.7	2.8	34.2	16.0	36.89	40.14
22	45.9	34.95	13.7	2.8	38.2	19.3	40.00	43.24
24	45.9	38.13	14.4	2.8	41.2	20.6	43.29	46.44

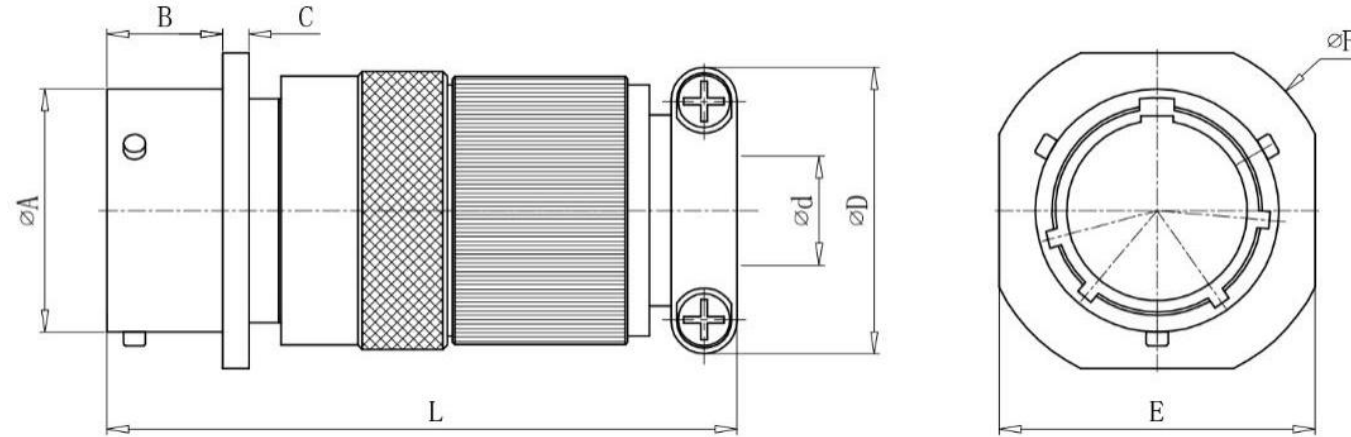
JY3111P [cable connect receptacle P]



Receptacle Dimensions

Shell no	L max	A	B	C	D	d max	E	F max
08	36.2	12.04	10.6	2.4	15.3	10.46	20.99	24.24
10	36.2	15.00	10.6	2.4	17.7	13.55	24.19	27.44
12	36.2	19.07	10.6	2.4	21.7	13.96	26.54	29.79
14	36.2	22.25	10.6	2.4	23.9	17.42	28.89	32.10
16	36.2	25.43	10.6	2.4	27.0	20.56	31.29	34.59
18	37.7	28.60	10.6	2.4	30.5	23.66	33.69	36.94
20	42.7	31.78	13.7	2.8	33.6	23.92	36.89	40.14
22	42.7	34.95	13.7	2.8	37.1	25.52	40.00	43.24
24	43.1	38.13	14.4	2.8	40.0	32.00	43.29	46.44

JY3111J [cable connect receptacle J]



Receptacle Dimensions

Shell no	L max	A	B	C	D	d max	E	F max
08	57.6	12.04	10.6	2.4	18.2	5.5	20.99	24.24
10	57.6	15.00	10.6	2.4	20.2	8.15	24.19	27.44
12	61.2	19.07	10.6	2.4	23.2	10.0	26.54	29.79
14	66.0	22.25	10.6	2.4	26.2	10.0	28.89	32.10
16	74.7	25.43	10.6	2.4	31.2	13.0	31.29	34.59
18	80.5	28.60	10.6	2.4	34.2	16.0	33.69	36.94
20	91.6	31.78	13.7	2.8	34.2	16.0	36.89	40.14
22	95.6	34.95	13.7	2.8	38.2	19.3	40.00	43.24
24	101.2	38.13	14.4	2.8	41.2	20.6	43.29	46.44