

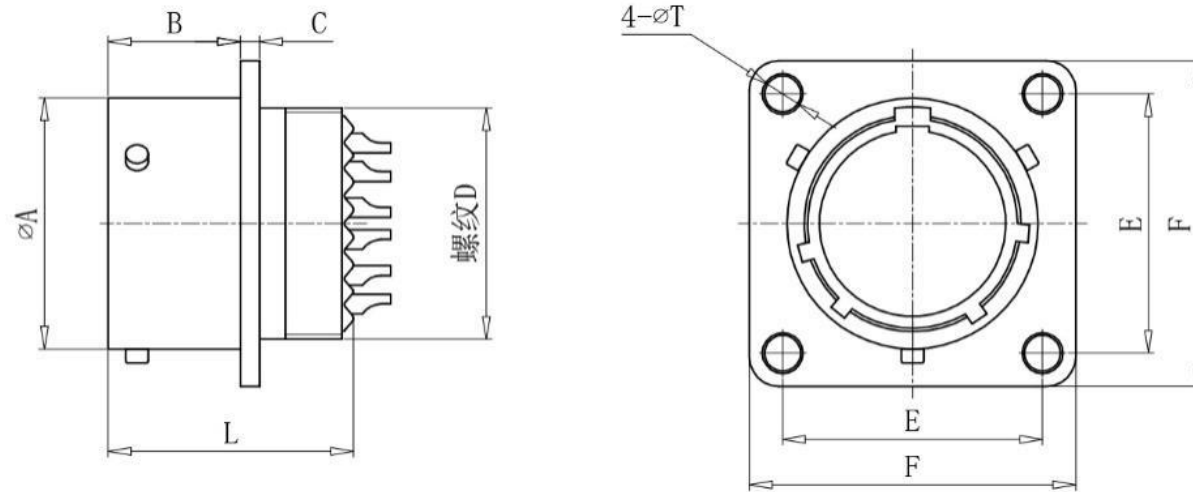
JY3110 R wall mount flange receptacle

- 1
- 1
- R [do not connect the tail accessories]
 - E [Seal grommet, conductive shell]
 - F [Seal grommet, with cableclamp,conductive shell]
 - P [Glue sealing, conductive shell]
 - J [For armored cable seal, conductive shell]

Cross-Reference & Compatibility

Compatible Brands	Equivalents	Mates
MIL-DTL-26482 Series I	MS3110	MS3116
Amphenol	PT00	PT06,PT08
Array	PW00	PW06,PW08
ITT Cannon	KPT00	KPT06,KPT08
Souriau	85100	85106,85108

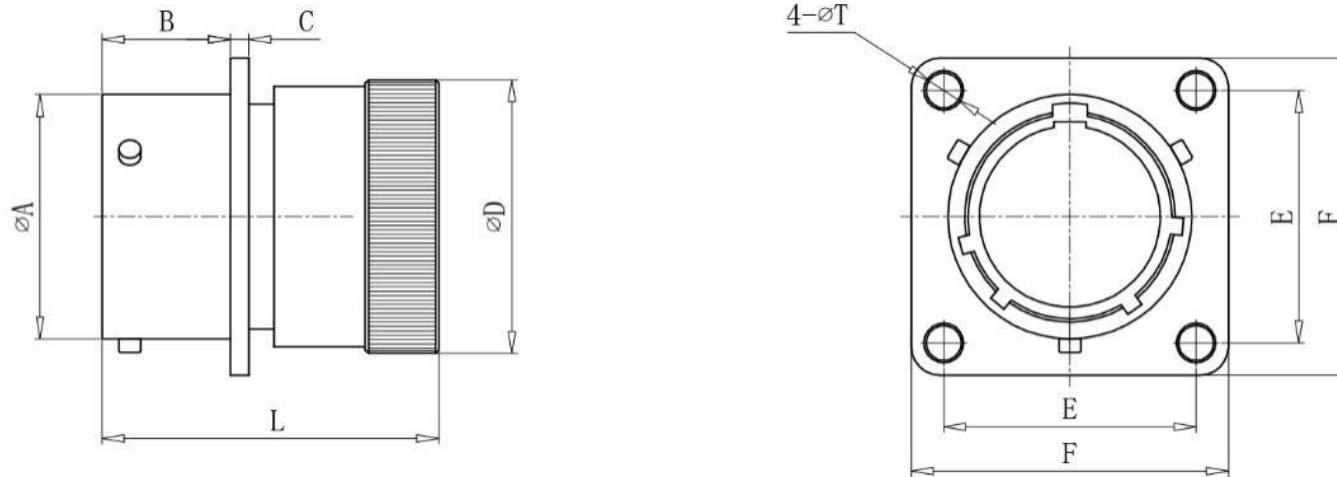
JY3110R [wall mount flange receptacle R]



Receptacle Dimensions

Shell no	L	A	B	C	E	F max	T	Screw thread DUNEF-2A
08	21.7	12.04	11.7	1.7	15.09	20.99	3.2	0.4375-28
10	21.7	15.00	11.7	1.7	18.26	24.19	3.2	0.5625-24
12	21.7	19.07	11.7	1.7	20.62	26.54	3.2	0.6875-24
14	21.7	22.25	11.7	1.7	23.0	28.89	3.2	0.8125-20
16	21.7	25.43	11.7	1.7	24.61	31.29	3.2	0.9375-20
18	21.7	28.60	11.7	1.7	26.97	33.69	3.2	1.0625-18
20	23.6	31.78	14.3	2.2	29.36	36.89	3.2	1.1875-18
22	23.6	34.95	14.3	2.2	31.75	39.99	3.2	1.3125-18
24	23.6	38.13	15.0	2.2	34.92	43.15	3.8	1.4375-18

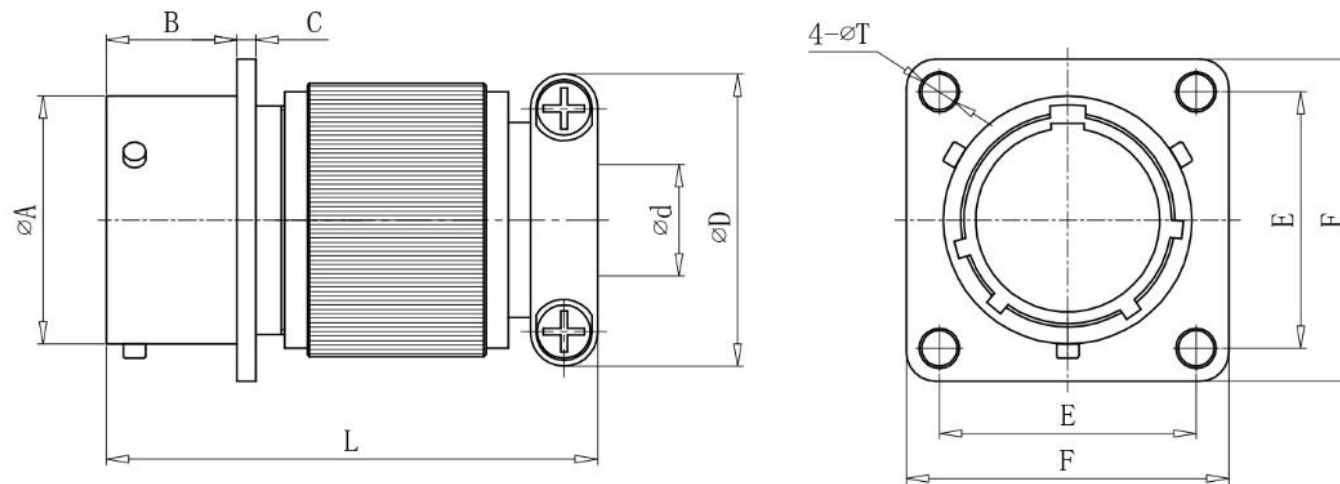
JY3110E [wall mount flange receptacle E]



Receptacle Dimensions

Shell no	L	A	B	C	D	E	F max	T
08	30.7	12.04	11.7	1.7	15.5	15.09	20.99	3.2
10	30.7	15.00	11.7	1.7	18.7	18.26	24.19	3.2
12	30.7	19.07	11.7	1.7	21.7	20.62	26.54	3.2
14	30.7	22.25	11.7	1.7	24.9	23.0	28.89	3.2
16	30.7	25.43	11.7	1.7	28.2	24.61	31.29	3.2
18	30.7	28.60	11.7	1.7	31.2	26.97	33.69	3.2
20	32.6	31.78	14.3	2.2	34.6	29.36	36.89	3.2
22	32.6	34.95	14.3	2.2	37.6	31.75	39.99	3.2
24	32.6	38.13	15.0	2.2	40.9	34.92	43.15	3.8

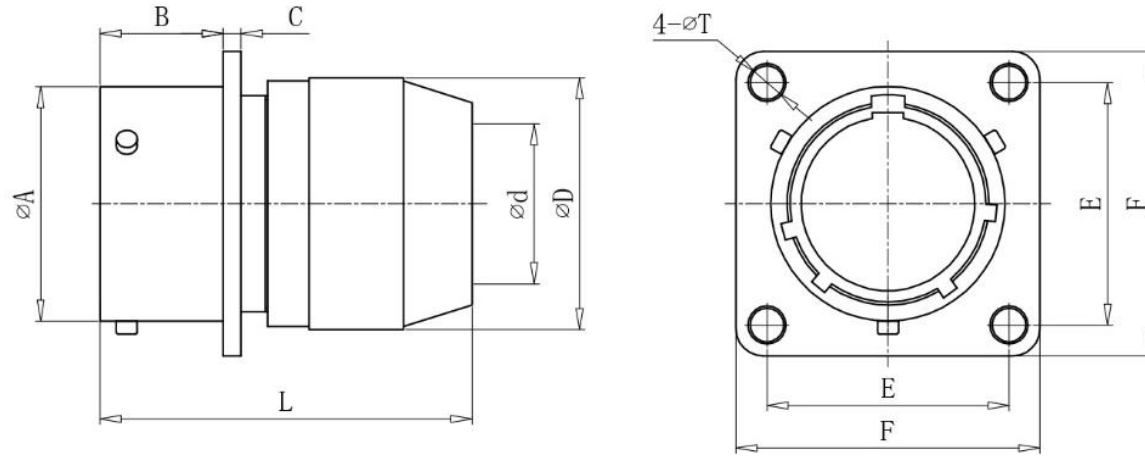
JY3110F [wall mount flange receptacle F]



Receptacle Dimensions

Shell no	L	A	B	C	D	d max	E	F max	T
08	44.0	12.04	11.7	1.7	18.2	5.5	15.09	20.99	3.2
10	44.0	15.00	11.7	1.7	20.2	8.15	18.26	24.19	3.2
12	44.0	19.07	11.7	1.7	23.2	10.0	20.62	26.54	3.2
14	44.0	22.25	11.7	1.7	26.2	10.0	23.0	28.89	3.2
16	44.0	25.43	11.7	1.7	31.2	13.0	24.61	31.29	3.2
18	44.0	28.60	11.7	1.7	34.2	16.0	26.97	33.69	3.2
20	45.9	31.78	14.3	2.2	34.2	16.0	29.36	36.89	3.2
22	45.9	34.95	14.3	2.2	38.2	19.3	31.75	39.99	3.2
24	45.9	38.13	15.0	2.2	41.2	20.6	34.92	43.15	3.8

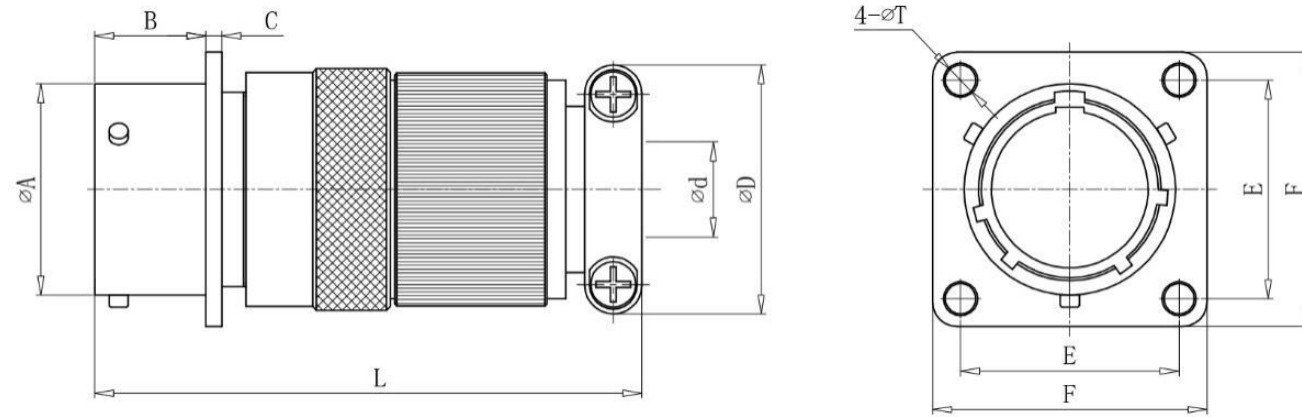
JY3110P [wall mount flange receptacle P]



Receptacle Dimensions

Shell no	L max	A	B	C	D	d max	E	F max	T
08	36.2	12.04	11.7	1.7	15.3	10.46	15.09	20.99	3.2
10	36.2	15.00	11.7	1.7	17.7	13.55	18.26	24.19	3.2
12	36.2	19.07	11.7	1.7	21.7	13.96	20.62	26.54	3.2
14	36.2	22.25	11.7	1.7	23.9	17.42	23.0	28.89	3.2
16	36.2	25.43	11.7	1.7	27.0	20.56	24.61	31.29	3.2
18	37.7	28.60	11.7	1.7	30.5	23.66	26.97	33.69	3.2
20	42.7	31.78	14.3	2.2	33.6	23.92	29.36	36.89	3.2
22	42.7	34.95	14.3	2.2	37.1	25.52	31.75	39.99	3.2
24	43.1	38.13	15.0	2.2	40.0	32.00	34.92	43.15	3.8

JY3110J [wall mount flange receptacle J]



Receptacle Dimensions

Shell no	L max	A	B	C	D	d max	E	F max	T
08	57.6	12.04	11.7	1.7	18.2	5.5	15.09	20.99	3.2
10	57.6	15.00	11.7	1.7	20.2	8.15	18.26	24.19	3.2
12	61.2	19.07	11.7	1.7	23.2	10.0	20.62	26.54	3.2
14	66.0	22.25	11.7	1.7	26.2	10.0	23.0	28.89	3.2
16	74.7	25.43	11.7	1.7	31.2	13.0	24.61	31.29	3.2
18	80.5	28.60	11.7	1.7	34.2	16.0	26.97	33.69	3.2
20	91.6	31.78	14.3	2.2	34.2	16.0	29.36	36.89	3.2
22	95.6	34.95	14.3	2.2	38.2	19.3	31.75	39.99	3.2
24	101.2	38.13	15.0	2.2	41.2	20.6	34.92	43.15	3.8