



**DonConn**

INNOVATE / COOPERATION / WIN-WIN

*MIL-DTL-264842 Series II*

*Military Style Connectors & Backshells*

*PRODUCT INTRODUCTION*

## *MIL-DTL-26482 Series I Solder Type Connectors*

The HM Series of connectors is based on MIL-DTL-26482/MIL-C-26482 Series 1 standards and is fully compatible with all military and commercial derivatives. These connectors feature bayonet coupling, high-density inserts with gold plated solder contacts, and an integrated environmental resistant backshell. In addition, the HM Series provides many modern options that are unavailable in the mil-spec, including thru-bulkhead and hermetic receptacles, a large selection of insert arrangements, and a variety of protective sealing accessories.

### **Performance Specifications**

Mechanical performance: Material: Shell: aluminum alloy 、 stainless steel

Insulation: thermosetting plastic or thermoplastic Grommet and seal: silicon rubber

Plating: No mark: Cadmium plated olive brown, conductive outer shell

L: Electroless nickel plating conductive shell      A: Black  
anodized, non-conductive shell      B: Military cadmium

plating, conductive shell

S: Stainless steel passivated, conductive shell      BW: Cadmium plated  
brown green, conductive shell

Contacts: copper alloy gold plating, crimp、 solder and PCB

Durability: 500 cycles

Random vibration: frequency 10~2000 Hz, acceleration 147 m/s Shock:

Acceleration 490m/s<sup>2</sup>

## Electrical

### Working voltage and voltage resistance: V

Working level*	Working voltage		Withstand voltage	
	I	II	I	II
Sea level	600	1000	1500	2300
21336m	300	450	375	500

### Contact resistance and rated current:

Contact specification	Working diameter mm	Contact resistance $\Omega$	Rated current A
20#	$\Phi 1.00$	$\leq 5$	7.5
16#	$\Phi 1.60$	$\leq 2.5$	13
12#	$\Phi 2.40$	$\leq 1.5$	23

Insulation resistance: 25°C 时  $\geq 5000\text{M}\Omega$ , 125°C 时  $\geq 3\text{M}\Omega$

Environmental performance:

Usage temperature: -55 °C ~ +125 °C

Relative humidity: 40 °C, up to 95±4

Salt spray resistance: F: Cadmium plating 500h      N: Nickel plating 48h/96h

Sealing:

Seal body: pressure difference  $2 \times 10^5$  Pa, leakage rate less than  $4.6 \times 10^2$  Pa  $\text{cm}^3/\text{s}$   
Sintering seal (hermetic): Pressure difference  $1 \times 10^5$  Pa, leakage less than 0.1 Pa  $\text{cm}^3/\text{s}$

## How to Build Your Connector Part Number

MS    3110                    E                    18                    -32                    P                    N                    L  
1                    2                                    3                                    4                                    5                                    6                                    7                                    8

- 1 Basic series
- 2 Type of shell  
3110 = Wall mounting square receptacle  
3111 = Cable connecting receptacle  
3112 = Box mounting square receptacle  
3114 = Jam nut receptacle  
3116 = Straight plug  
3117 = Thru bulkhead receptacle
- 3 Type  
B = PCB  
E = Grommet seal, conductive shell  
F = Grommet seal, conductive shell with cable clamp  
J = Hermetic cable, conductive  
M = Waterproof  
P = Hermetic encapsulation, conductive shell  
R = Without back shell
- 4 Shell size  
08, 10, 12, 14, 16, 18, 20, 22, 24
- 5 Contact layout (see below)  
  
Shell Size & Insert Arrangement: See Insert Arrangement Selection table
- 6 Contact  
P = Pin  
S = Socket
- 7 Orientation  
N, W, X, Y, Z
- 8 Finish  
Omit = Olive drab cadmium plating  
A = Black anodized  
B = Olive green cadmium plating  
S = Stainless steel passivated  
L = Electroless nickel plating

PS;

1、 The model name: GJB598 and MIL-C-26482 and "YB" , except for the main code, the rest are the same. GJB598 is "JY" , MIL-C-26482 is "MS" , "YB" series "YB" , they are interchangeable.

2、 3110 3111 3112 3114 3116 contact is solder type.

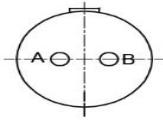
3210 3211 3212 3214 3216 contact is crimp type For example:

MS3110E18-35PNL: MS3110 wall mounting square receptacle , sealing body seal, conductive shell, 18# shell, 35 layout, male pin contacts, N,nickel plating.

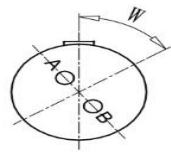
# Selling

<u>JY</u>	<u>3112</u>	<u>R</u>	<u>18-</u>	<u>35</u>	<u>C</u>	<u>N</u>	<u>S</u>
1	2	3	4	5	6	7	8
1	Basic series						
2	Connector type 3112-Box flange receptacle( R, H)						
3	Type R- Glue sealing H- Hermetic ( only stainless steel)						
4	Shell size;08-10-12-14-16-18-20-22-24						
5	Contact layout (See below)						
6	Contact type C- contact through wall						
7	Orientation N, W, X, W, Z						
8	Finish No mark- cadmium plated olive brown L- Electroless nickel plating      A- Black anodized no-conductive BW- cadmium brown green          B- Military cadmium plating S- stainless steel passivation						

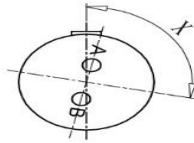
## Orientation



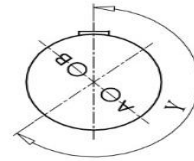
N键位



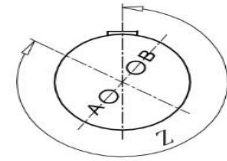
W键位



X键位



Y键位





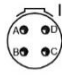
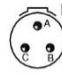
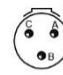








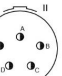
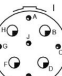
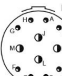




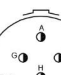

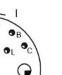
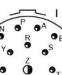


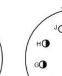


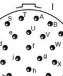




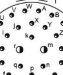










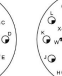

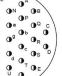
Z键位

键位角度：从插针的正面方向看，旋转角度如上图所示。

Shell no	code	Angle				
		N	W	X	Y	Z
08	08-2	0	58	122	-	-
	08-3	0	60	210	-	-
	08-4	0	45	-	-	-
	08-33	0	90	-	-	-
	08-98	0	-	-	-	-
	10	10-6	0	90	-	-
10-7		0	-	-	-	-
10-98		0	90	180	240	270
12	12-3	0	-	-	180	-
	12-4	0	45	-	-	-
	12-8	0	90	112	203	292
	12-10	0	60	155	270	295
14	14-4	0	45	-	-	-
	14-5	0	40	92	184	273
	14-9	0	15	90	180	240
	14-12	0	43	90	-	-
	14-15	0	17	110	155	234
	14-18	0	15	90	180	270
	14-19	0	30	165	315	-
	14-22	0	45	-	-	-
16	16-8	0	54	152	180	331
	16-14	0	25	78	180	240
	16-23	0	158	270	-	-
	16-26	0	60	-	275	338

Shell no	code	Angle				
		N	W	X	Y	Z
16	16-99	0	66	156	223	340
18	18-8	0	180	-	-	-
	18-11	0	62	119	241	340
	18-30	0	180	193	285	350
	18-32	0	85	138	222	265
	18-85	0	45	90	180	240
	20	20-16	0	238	318	333
20-24		0	70	145	215	290
20-27		0	72	144	216	288
20-39		0	63	144	252	333
20-41		0	45	126	225	-
20-90		0	18	60	240	270
22	22-12	0	-	-	-	-
	22-19	0	15	90	225	308
	22-21	0	16	135	175	349
	22-32	0	72	145	215	288
	22-34	0	62	142	218	298
	22-41	0	39	135	264	-
	22-55	0	30	142	226	314
	22-95	0	26	180	266	-
24	24-19	0	30	165	315	-
	24-27	0	45	110	140	225
	24-31	0	90	225	255	-
	24-61	0	90	180	270	324

# Insert arrangements

08	 <p>08-03 3-20#</p>  <p>08-02 2-20#</p>  <p>08-04 4-20#</p>  <p>08-33 3-20#</p>  <p>08-98 3-20#</p>
10	 <p>10-06 6-20#</p>  <p>10-07 7-20#</p>  <p>10-98 6-20#</p>
12	 <p>12-03 3-16#</p>  <p>12-04 4-16#</p>  <p>12-08 8-20#</p>  <p>12-10 10-20#</p>
14	 <p>14-04 4-12#</p>  <p>14-05 5-16#</p>  <p>14-09 4-12# 5-20#</p>  <p>14-12 4-16# 8-20#</p>  <p>14-15 1-16# 14-20#</p>  <p>14-18 18-20#</p>  <p>14-19 19-20#</p>  <p>14-22 4-12# 1-20#</p>
16	 <p>16-08 8-16#</p>  <p>16-14 8-20# 6-12#</p>  <p>16-23 1-16# 22-20#</p>  <p>16-26 26-20#</p>  <p>16-99 2-16# 21-20#</p>
18	 <p>18-08 8-12#</p>  <p>18-11 11-16#</p>  <p>18-30 1-16# 29-20#</p>  <p>18-32 32-20#</p>  <p>18-85 5-20# 8-12#</p>
20	 <p>20-18 16-16#</p>  <p>20-04 24-20#</p>  <p>20-27 22-20#</p>  <p>20-39 2-16# 37-20#</p>  <p>20-41 41-20#</p>  <p>20-90 3-20# 12-12#</p>
22	 <p>22-12 12-12#</p>  <p>22-19 19-12#</p>  <p>22-21 21-16#</p>  <p>22-32 32-20#</p>
	 <p>22-34 34-20#</p>  <p>22-41 14-16# 27-20#</p>  <p>22-55 55-20#</p>  <p>22-95 8-12# 26-20#</p>
24	 <p>24-19 19-12#</p>  <p>24-27 11-20# 16-12#</p>  <p>24-31 31-16#</p>  <p>24-61 61-20#</p>

# JY3116 R straight plug

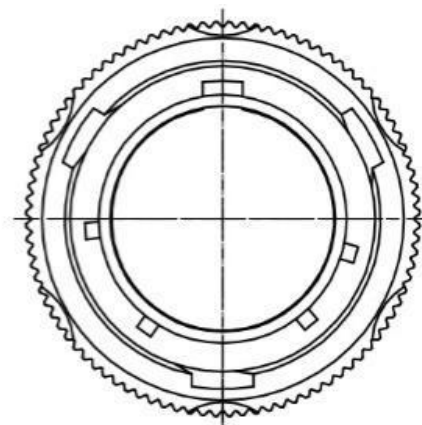
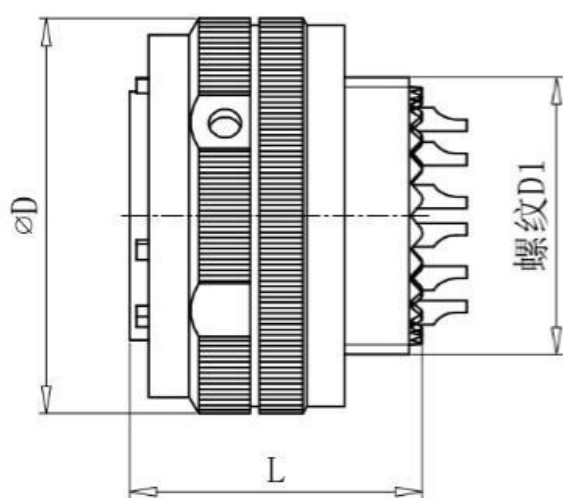
- 1
- 1
- R [do not connect the tail accessories]
  - E [Seal grommet, conductive shell]
  - F [Seal grommet, with cableclamp,conductive shell]
  - P [Glue sealing, conductive shell]
  - J [For armored cable seal, conductive shell]

## Cross-Reference & Compatibility

Compatible Brands	Equivalents	Mates
MIL-DTL-26482 Series I	MS3116	MS3110,MS3111,MS3112,MS3114
Amphenol	PT06	PT00,PY01,PT02,PT07
Array	PW06	PW00,PW01,PW02,PW07
ITT Cannon	KPT06	KPT00,KPT01,KPT02,KPT07
Souriau	85106	85100,85101,85102,85107



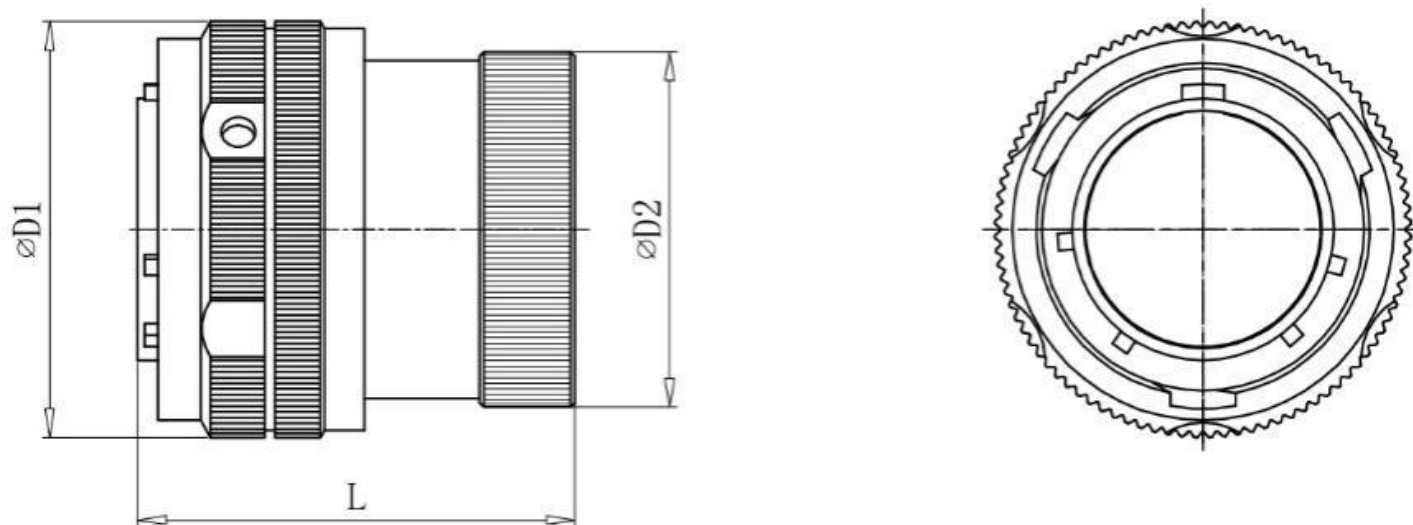
# JY3116R [straight plug R]



## Plug Dimensions

Shell no	L	D	Screw thread D1 UNEF-2A
08	21.7	18.8	0.4375-28
10	21.7	21.5	0.5625-24
12	21.7	25.8	0.6875-24
14	21.7	29.2	0.8125-20
16	21.7	32.3	0.9375-20
18	21.7	35.4	1.0625-18
20	23.3	38.5	1.1875-18
22	23.3	41.7	1.3125-18
24	23.3	44.7	1.4375-18

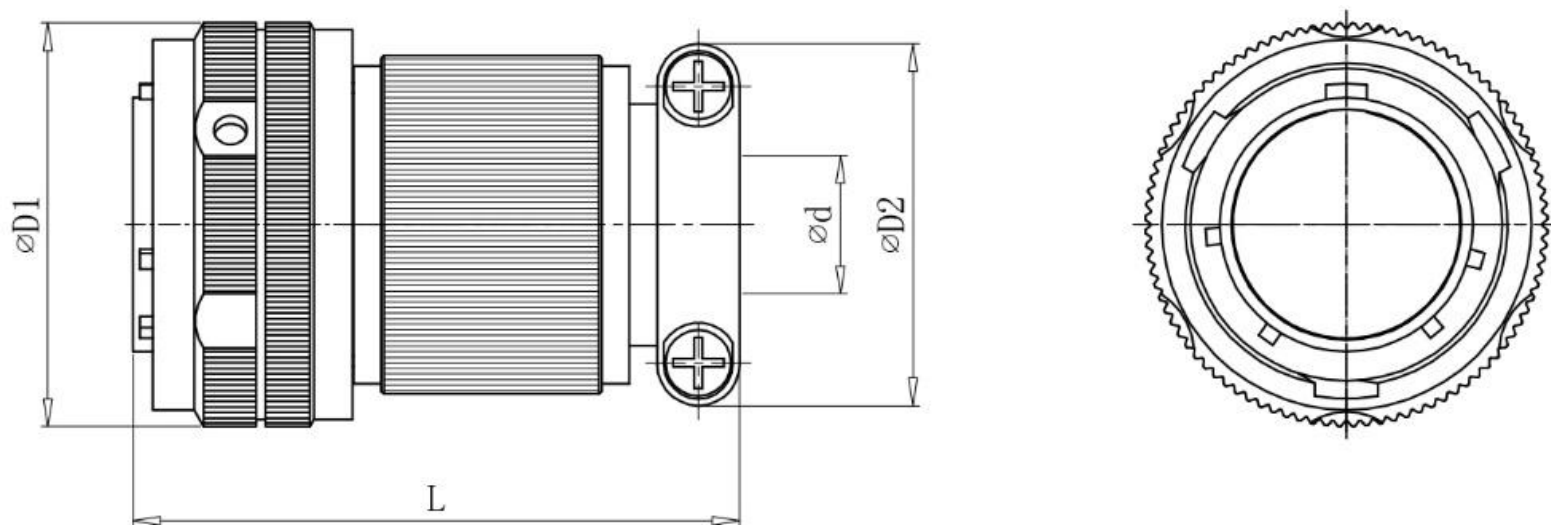
# JY3116E [straight plug E]



## Plug Dimensions

Shell no	L	D1	D2
08	30.7	18.8	15.5
10	30.7	21.5	18.7
12	30.7	25.8	21.7
14	30.7	29.2	24.9
16	30.7	32.3	28.2
18	30.7	35.4	31.2
20	32.3	38.5	34.6
22	32.3	41.7	37.6
24	32.3	44.7	40.9

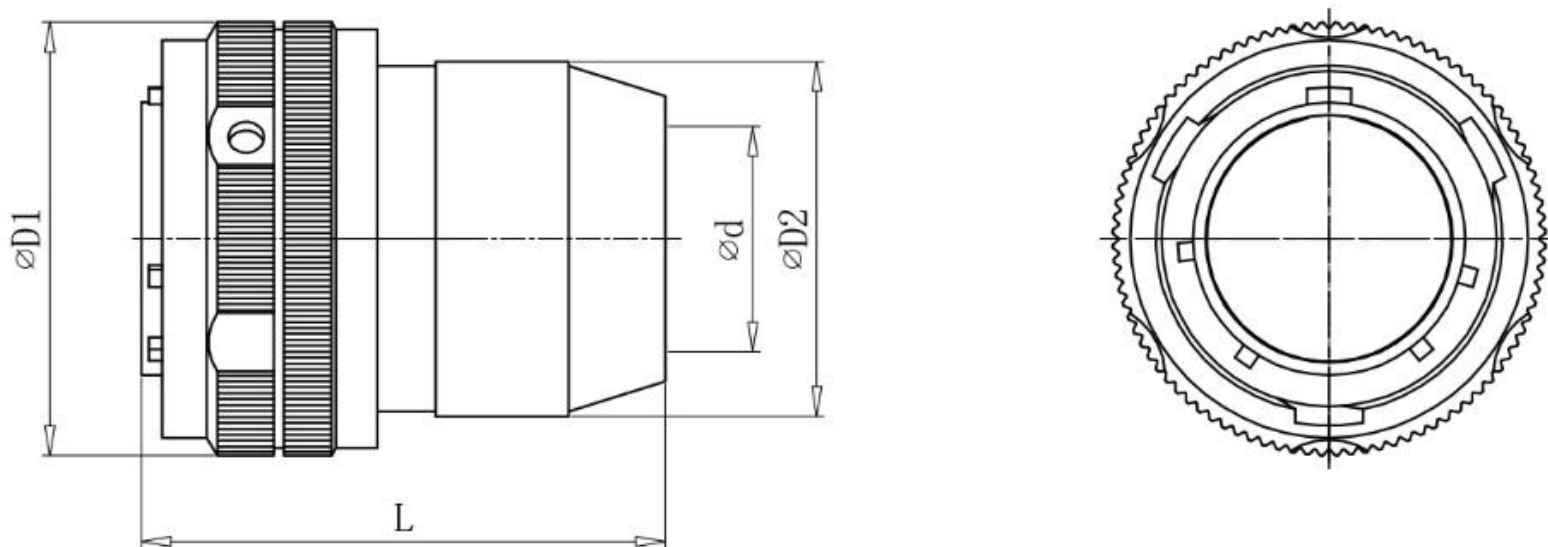
# JY3116F [straight plug F]



## Plug Dimensions

Shell no	L	D1	D2	d max
08	44.0	18.8	18.2	5.5
10	44.0	21.5	20.2	8.15
12	44.0	25.8	23.2	10.0
14	44.0	29.2	26.2	10.0
16	44.0	32.3	31.2	13.0
18	44.0	35.4	34.2	16.0
20	45.6	38.5	34.2	16.0
22	45.6	41.7	38.2	19.3
24	45.6	44.7	41.2	20.6

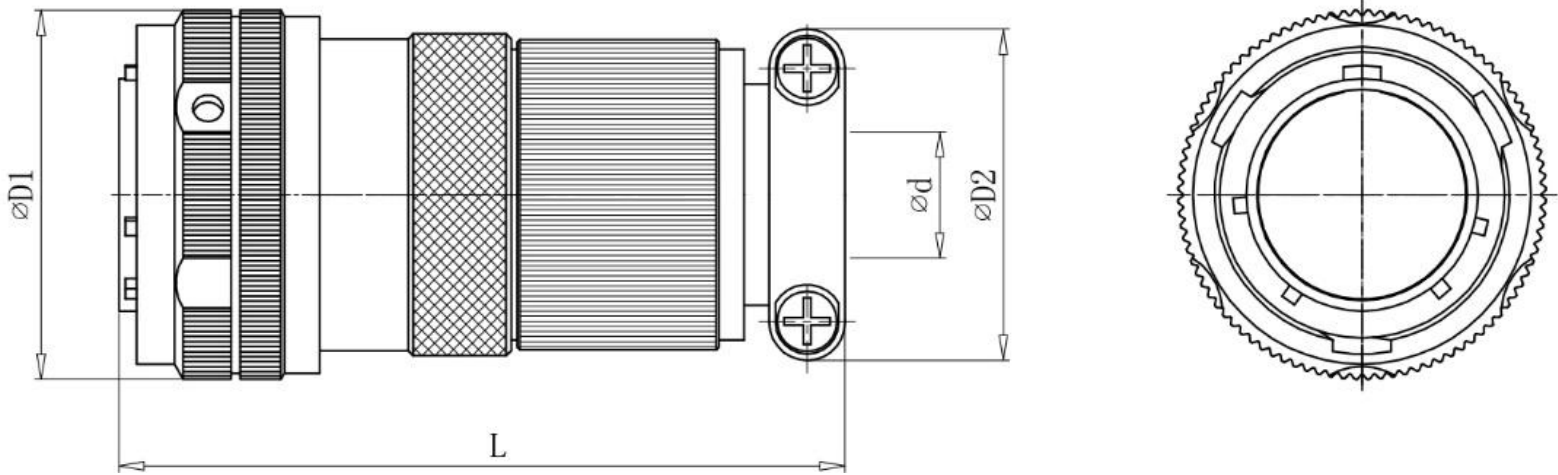
# JY3116P [straight plug P]



## Plug Dimensions

Shell no	L max	D1	D2	d max
08	36.2	18.8	15.3	10.46
10	36.2	21.5	17.7	13.55
12	36.2	25.8	21.7	13.96
14	36.2	29.2	23.9	17.42
16	36.2	32.3	27.0	20.56
18	37.7	35.4	30.5	23.66
20	42.4	38.5	33.6	23.92
22	42.4	41.7	37.1	25.52
24	42.8	44.7	40.0	32.00

# JY3116J [straight plug J]



## Plug Dimensions

Shell no	L max	D1	D2	d max
08	57.6	18.8	18.2	5.5
10	57.6	21.5	20.2	8.15
12	61.2	25.8	23.2	10.0
14	66.0	29.2	26.2	10.0
16	74.7	32.3	31.2	13.0
18	80.5	35.4	34.2	16.0
20	91.6	38.5	34.2	16.0
22	95.6	41.7	38.2	19.3
24	101.2	44.7	41.2	20.6

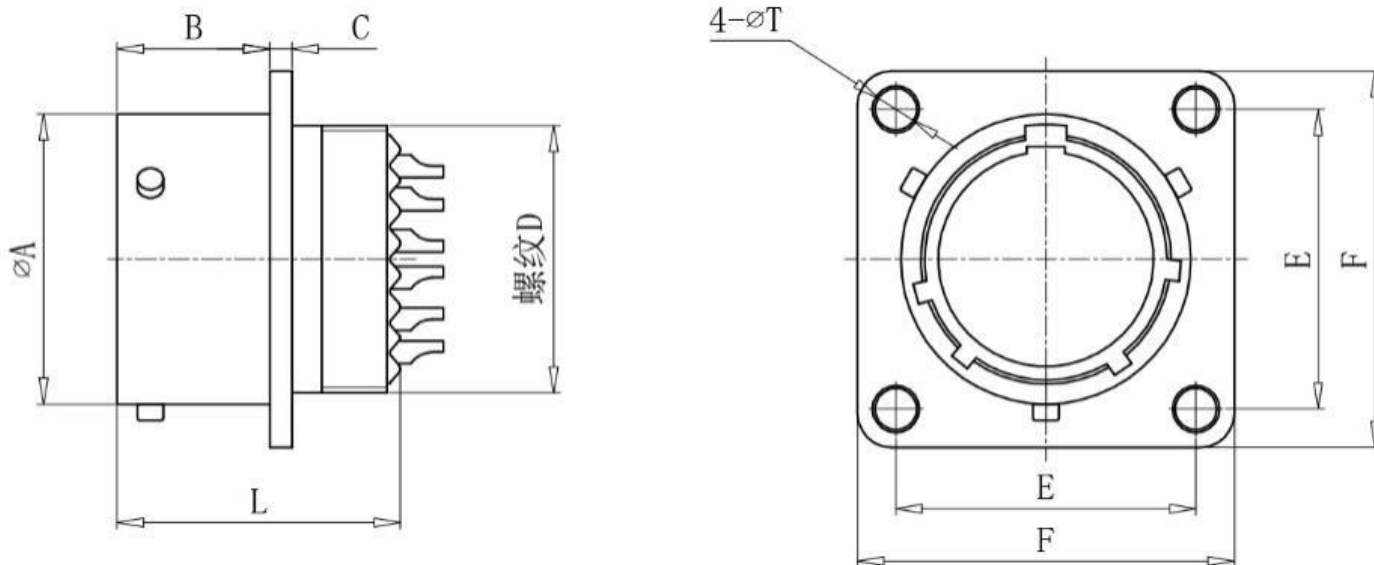
# JY3110 R wall mount flange receptacle

- 1
- 1
- R [do not connect the tail accessories]
  - E [Seal grommet, conductive shell]
  - F [Seal grommet, with cableclamp,conductive shell]
  - P [Glue sealing, conductive shell]
  - J [For armored cable seal, conductive shell]

## Cross-Reference & Compatibility

Compatible Brands	Equivalents	Mates
MIL-DTL-26482 Series I	MS3110	MS3116
Amphenol	PT00	PT06,PT08
Array	PW00	PW06,PW08
ITT Cannon	KPT00	KPT06,KPT08
Souriau	85100	85106,85108

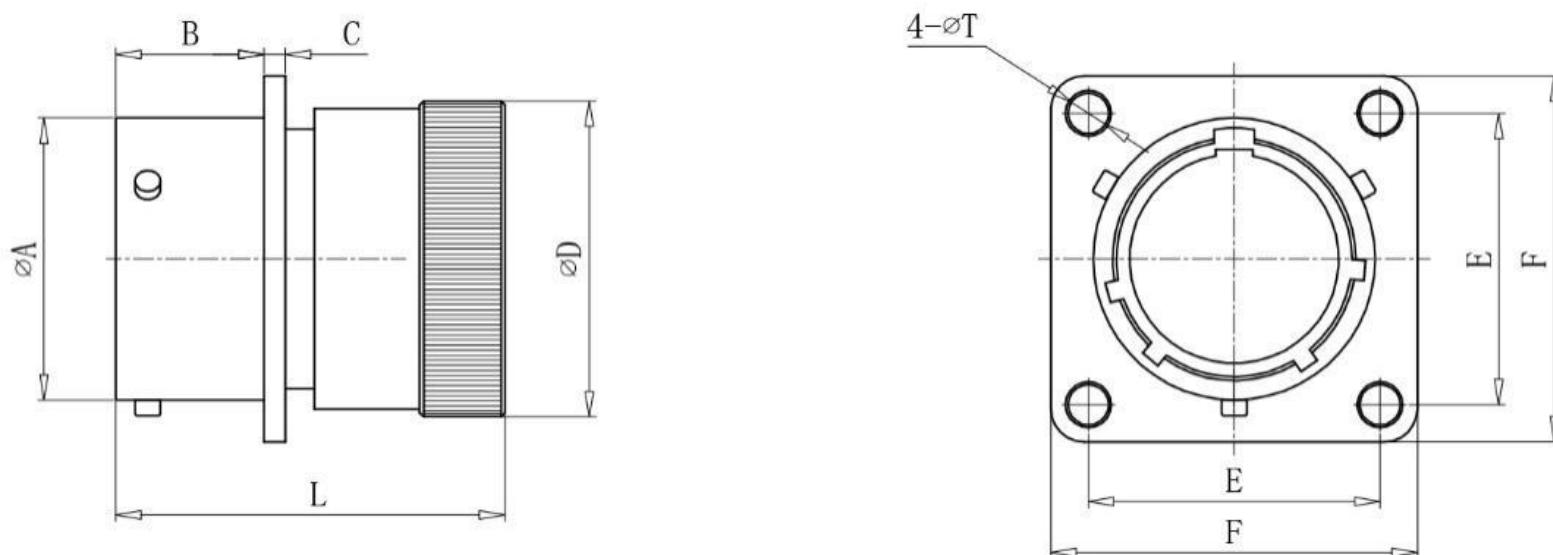
# JY3110R [wall mount flange receptacle R]



## Receptacle Dimensions

Shell no	L	A	B	C	E	F max	T	Screw thread DUNEF-2A
08	21.7	12.04	11.7	1.7	15.09	20.99	3.2	0.4375-28
10	21.7	15.00	11.7	1.7	18.26	24.19	3.2	0.5625-24
12	21.7	19.07	11.7	1.7	20.62	26.54	3.2	0.6875-24
14	21.7	22.25	11.7	1.7	23.0	28.89	3.2	0.8125-20
16	21.7	25.43	11.7	1.7	24.61	31.29	3.2	0.9375-20
18	21.7	28.60	11.7	1.7	26.97	33.69	3.2	1.0625-18
20	23.6	31.78	14.3	2.2	29.36	36.89	3.2	1.1875-18
22	23.6	34.95	14.3	2.2	31.75	39.99	3.2	1.3125-18
24	23.6	38.13	15.0	2.2	34.92	43.15	3.8	1.4375-18

# JY3110E [wall mount flange receptacle E]

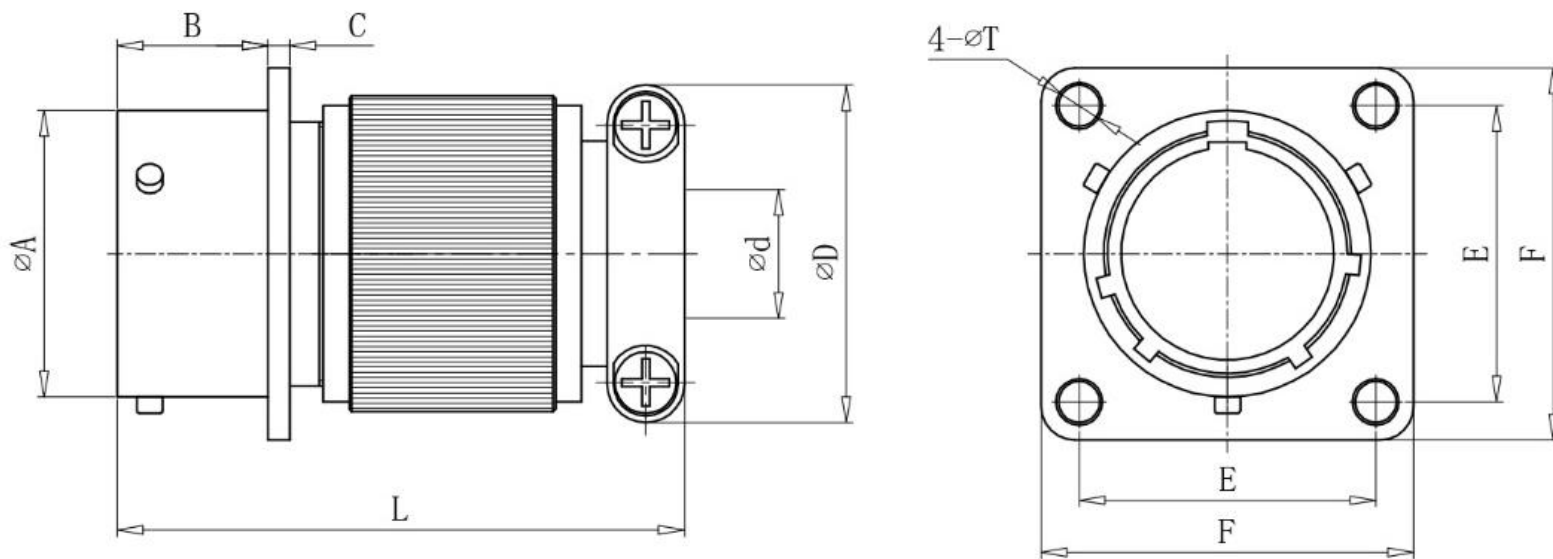


## Receptacle Dimensions

Shell no	L	A	B	C	D	E	F max	T
08	30.7	12.04	11.7	1.7	15.5	15.09	20.99	3.2
10	30.7	15.00	11.7	1.7	18.7	18.26	24.19	3.2
12	30.7	19.07	11.7	1.7	21.7	20.62	26.54	3.2
14	30.7	22.25	11.7	1.7	24.9	23.0	28.89	3.2
16	30.7	25.43	11.7	1.7	28.2	24.61	31.29	3.2
18	30.7	28.60	11.7	1.7	31.2	26.97	33.69	3.2
20	32.6	31.78	14.3	2.2	34.6	29.36	36.89	3.2
22	32.6	34.95	14.3	2.2	37.6	31.75	39.99	3.2
24	32.6	38.13	15.0	2.2	40.9	34.92	43.15	3.8



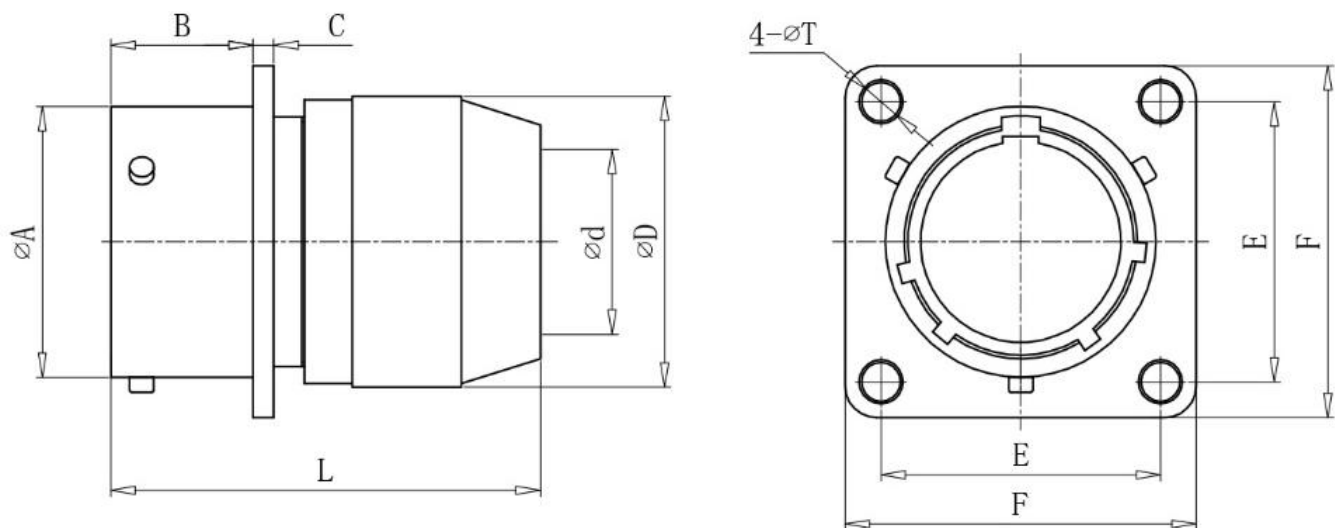
# JY3110F [wall mount flange receptacle F]



## Receptacle Dimensions

Shell no	L	A	B	C	D	d max	E	F max	T
08	44.0	12.04	11.7	1.7	18.2	5.5	15.09	20.99	3.2
10	44.0	15.00	11.7	1.7	20.2	8.15	18.26	24.19	3.2
12	44.0	19.07	11.7	1.7	23.2	10.0	20.62	26.54	3.2
14	44.0	22.25	11.7	1.7	26.2	10.0	23.0	28.89	3.2
16	44.0	25.43	11.7	1.7	31.2	13.0	24.61	31.29	3.2
18	44.0	28.60	11.7	1.7	34.2	16.0	26.97	33.69	3.2
20	45.9	31.78	14.3	2.2	34.2	16.0	29.36	36.89	3.2
22	45.9	34.95	14.3	2.2	38.2	19.3	31.75	39.99	3.2
24	45.9	38.13	15.0	2.2	41.2	20.6	34.92	43.15	3.8

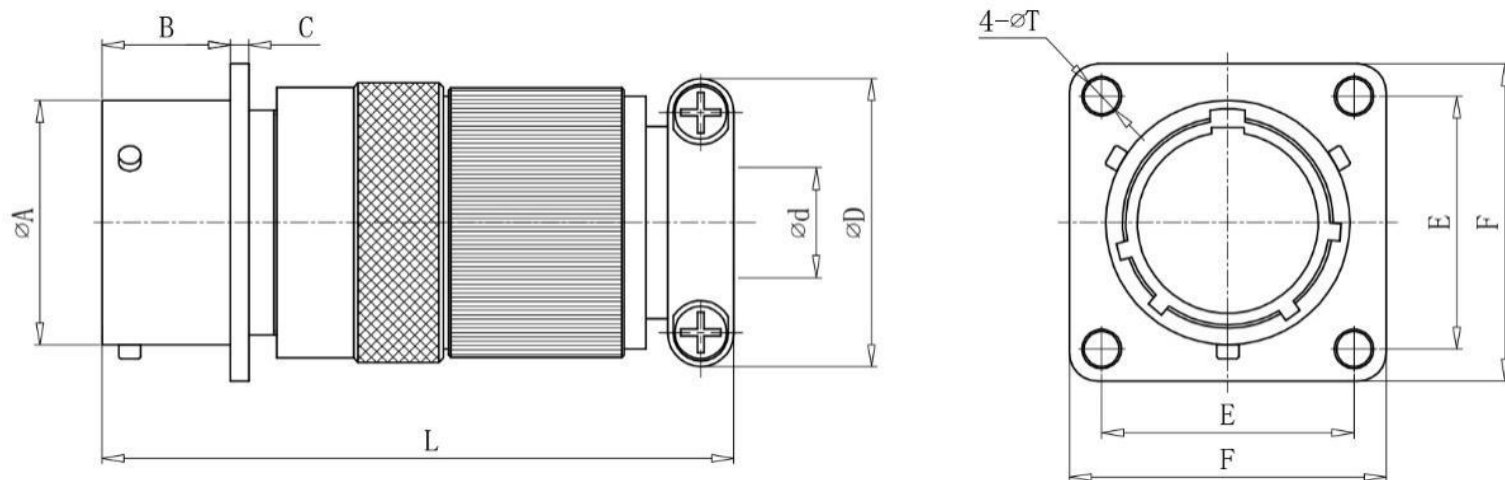
# JY3110P [wall mount flange receptacle P]



## Receptacle Dimensions

Shell no	L max	A	B	C	D	d max	E	F max	T
08	36.2	12.04	11.7	1.7	15.3	10.46	15.09	20.99	3.2
10	36.2	15.00	11.7	1.7	17.7	13.55	18.26	24.19	3.2
12	36.2	19.07	11.7	1.7	21.7	13.96	20.62	26.54	3.2
14	36.2	22.25	11.7	1.7	23.9	17.42	23.0	28.89	3.2
16	36.2	25.43	11.7	1.7	27.0	20.56	24.61	31.29	3.2
18	37.7	28.60	11.7	1.7	30.5	23.66	26.97	33.69	3.2
20	42.7	31.78	14.3	2.2	33.6	23.92	29.36	36.89	3.2
22	42.7	34.95	14.3	2.2	37.1	25.52	31.75	39.99	3.2
24	43.1	38.13	15.0	2.2	40.0	32.00	34.92	43.15	3.8

# JY3110J [wall mount flange receptacle J]



## Receptacle Dimensions

Shell no	L max	A	B	C	D	d max	E	F max	T
08	57.6	12.04	11.7	1.7	18.2	5.5	15.09	20.99	3.2
10	57.6	15.00	11.7	1.7	20.2	8.15	18.26	24.19	3.2
12	61.2	19.07	11.7	1.7	23.2	10.0	20.62	26.54	3.2
14	66.0	22.25	11.7	1.7	26.2	10.0	23.0	28.89	3.2
16	74.7	25.43	11.7	1.7	31.2	13.0	24.61	31.29	3.2
18	80.5	28.60	11.7	1.7	34.2	16.0	26.97	33.69	3.2
20	91.6	31.78	14.3	2.2	34.2	16.0	29.36	36.89	3.2
22	95.6	34.95	14.3	2.2	38.2	19.3	31.75	39.99	3.2
24	101.2	38.13	15.0	2.2	41.2	20.6	34.92	43.15	3.8

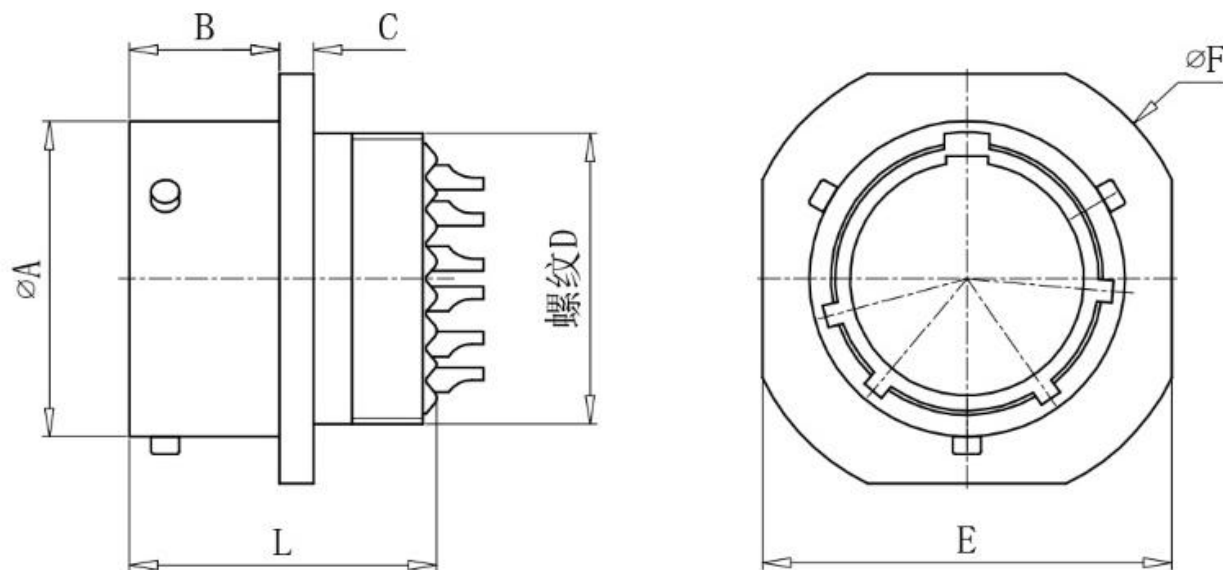
# JY3111 R cable connect receptacle R

- 1
- 1
- R [do not connect the tail accessories]
  - E [Seal grommet, conductive shell]
  - F [Seal grommet, with cableclamp,conductive shell]
  - P [Glue sealing, conductive shell]
  - J [For armored cable seal, conductive shell]

## Cross-Reference & Compatibility

Compatible Brands	Equivalents	Mates
MIL-DTL-26482 Series I	MS3111	MS3116
Amphenol	PT01	PT06,PT08
Array	PW01	PW06,PW08
ITT Cannon	KPT01	KPT06,KPT08
Souriau	85101	85106,85108

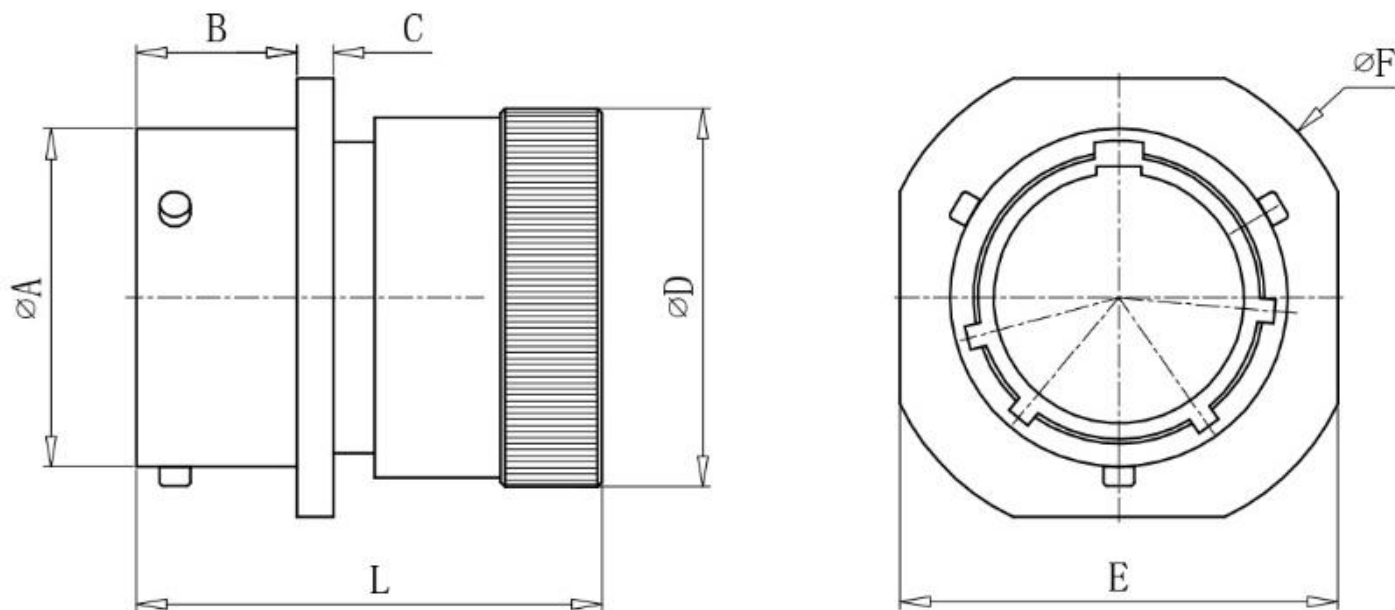
# JY3111R [cable connect receptacle R]



## Receptacle Dimensions

Shell no	L	A	B	C	E	F max	screw thread DUNEF-2A
08	21.7	12.04	10.6	2.4	20.99	24.24	0.4375-28
10	21.7	15.00	10.6	2.4	24.19	27.44	0.5625-24
12	21.7	19.07	10.6	2.4	26.54	29.79	0.6875-24
14	21.7	22.25	10.6	2.4	28.89	32.10	0.8125-20
16	21.7	25.43	10.6	2.4	31.29	34.59	0.9375-20
18	21.7	28.60	10.6	2.4	33.69	36.94	1.0625-18
20	23.6	31.78	13.7	2.8	36.89	40.14	1.1875-18
22	23.6	34.95	13.7	2.8	40.00	43.24	1.3125-18
24	23.6	38.13	14.4	2.8	43.29	46.44	1.4375-18

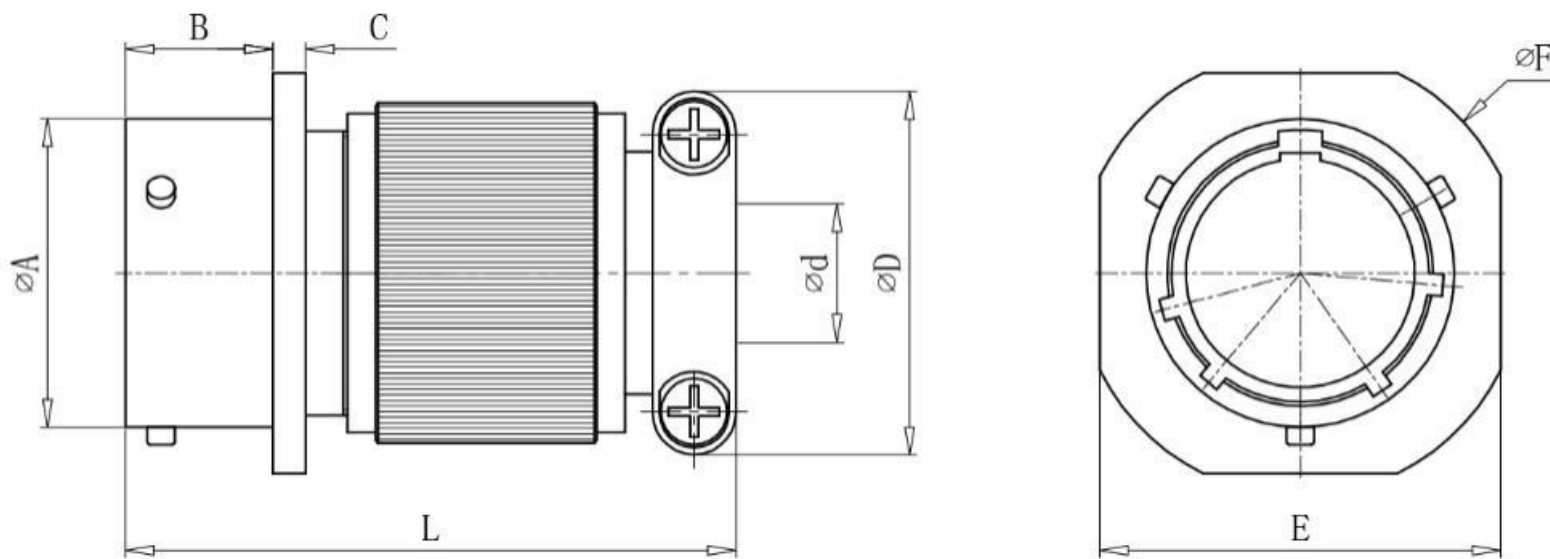
# JY3111E [cable connect receptacle E]



## Receptacle Dimensions

Shell no	L	A	B	C	D	E	F max
08	30.7	12.04	10.6	2.4	15.5	20.99	24.24
10	30.7	15.00	10.6	2.4	18.7	24.19	27.44
12	30.7	19.07	10.6	2.4	21.7	26.54	29.79
14	30.7	22.25	10.6	2.4	24.9	28.89	32.10
16	30.7	25.43	10.6	2.4	28.2	31.29	34.59
18	30.7	28.60	10.6	2.4	31.2	33.69	36.94
20	32.6	31.78	13.7	2.8	34.6	36.89	40.14
22	32.6	34.95	13.7	2.8	37.6	40.00	43.24
24	32.6	38.13	14.4	2.8	40.9	43.29	46.44

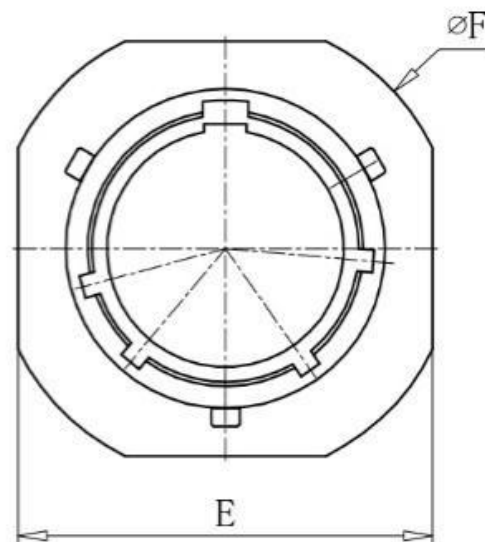
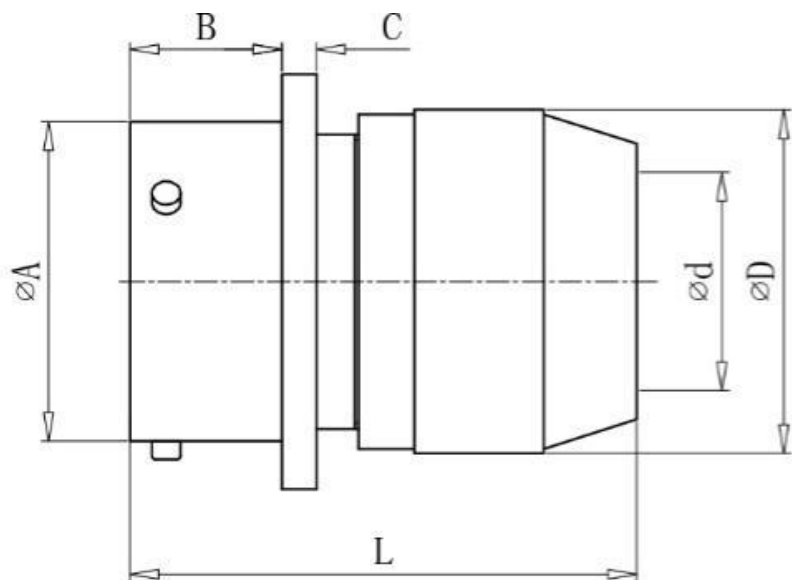
# JY3111F [cable connect receptacle F]



## Receptacle Dimensions

Shell no	L	A	B	C	D	d max	E	F max
08	44.0	12.04	10.6	2.4	18.2	5.5	20.99	24.24
10	44.0	15.00	10.6	2.4	20.2	8.15	24.19	27.44
12	44.0	19.07	10.6	2.4	23.2	10.0	26.54	29.79
14	44.0	22.25	10.6	2.4	26.2	10.0	28.89	32.10
16	44.0	25.43	10.6	2.4	31.2	13.0	31.29	34.59
18	44.0	28.60	10.6	2.4	34.2	16.0	33.69	36.94
20	45.9	31.78	13.7	2.8	34.2	16.0	36.89	40.14
22	45.9	34.95	13.7	2.8	38.2	19.3	40.00	43.24
24	45.9	38.13	14.4	2.8	41.2	20.6	43.29	46.44

# JY3111P [cable connect receptacle P]

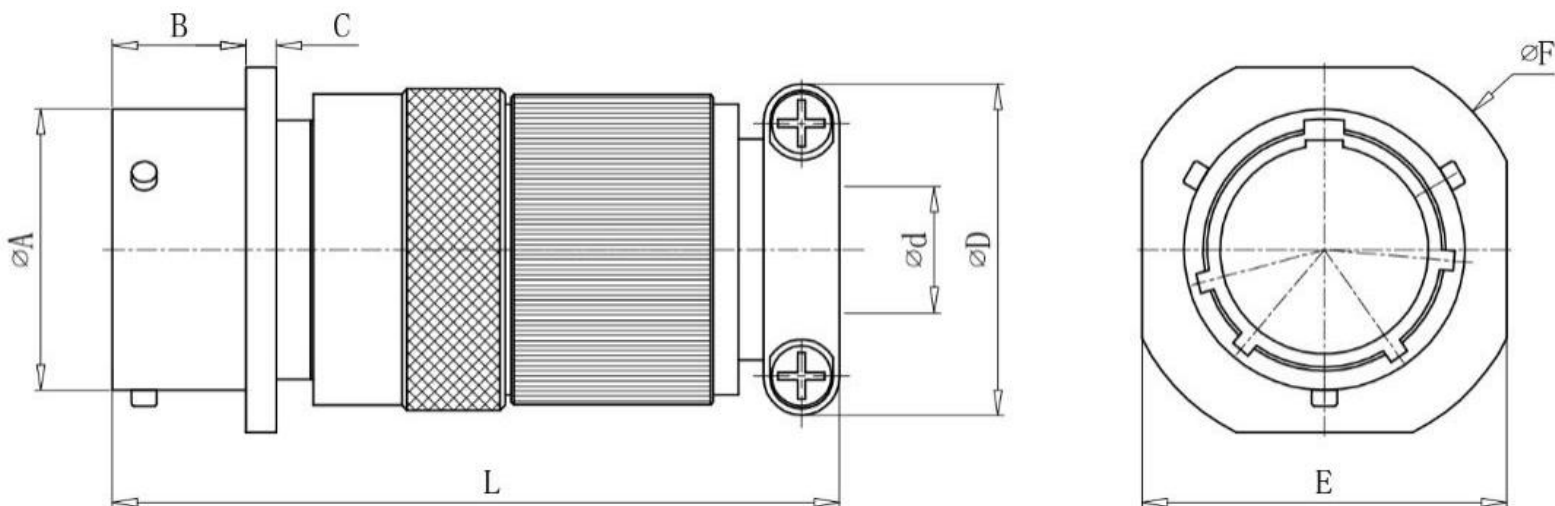


## Receptacle Dimensions

Shell no	L max	A	B	C	D	d max	E	F max
08	36.2	12.04	10.6	2.4	15.3	10.46	20.99	24.24
10	36.2	15.00	10.6	2.4	17.7	13.55	24.19	27.44
12	36.2	19.07	10.6	2.4	21.7	13.96	26.54	29.79
14	36.2	22.25	10.6	2.4	23.9	17.42	28.89	32.10
16	36.2	25.43	10.6	2.4	27.0	20.56	31.29	34.59
18	37.7	28.60	10.6	2.4	30.5	23.66	33.69	36.94
20	42.7	31.78	13.7	2.8	33.6	23.92	36.89	40.14
22	42.7	34.95	13.7	2.8	37.1	25.52	40.00	43.24
24	43.1	38.13	14.4	2.8	40.0	32.00	43.29	46.44



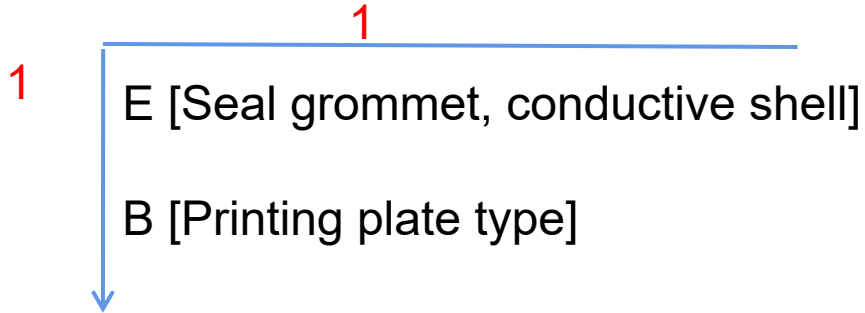
# JY3111J [cable connect receptacle J]



## Receptacle Dimensions

Shell no	L max	A	B	C	D	d max	E	F max
08	57.6	12.04	10.6	2.4	18.2	5.5	20.99	24.24
10	57.6	15.00	10.6	2.4	20.2	8.15	24.19	27.44
12	61.2	19.07	10.6	2.4	23.2	10.0	26.54	29.79
14	66.0	22.25	10.6	2.4	26.2	10.0	28.89	32.10
16	74.7	25.43	10.6	2.4	31.2	13.0	31.29	34.59
18	80.5	28.60	10.6	2.4	34.2	16.0	33.69	36.94
20	91.6	31.78	13.7	2.8	34.2	16.0	36.89	40.14
22	95.6	34.95	13.7	2.8	38.2	19.3	40.00	43.24
24	101.2	38.13	14.4	2.8	41.2	20.6	43.29	46.44

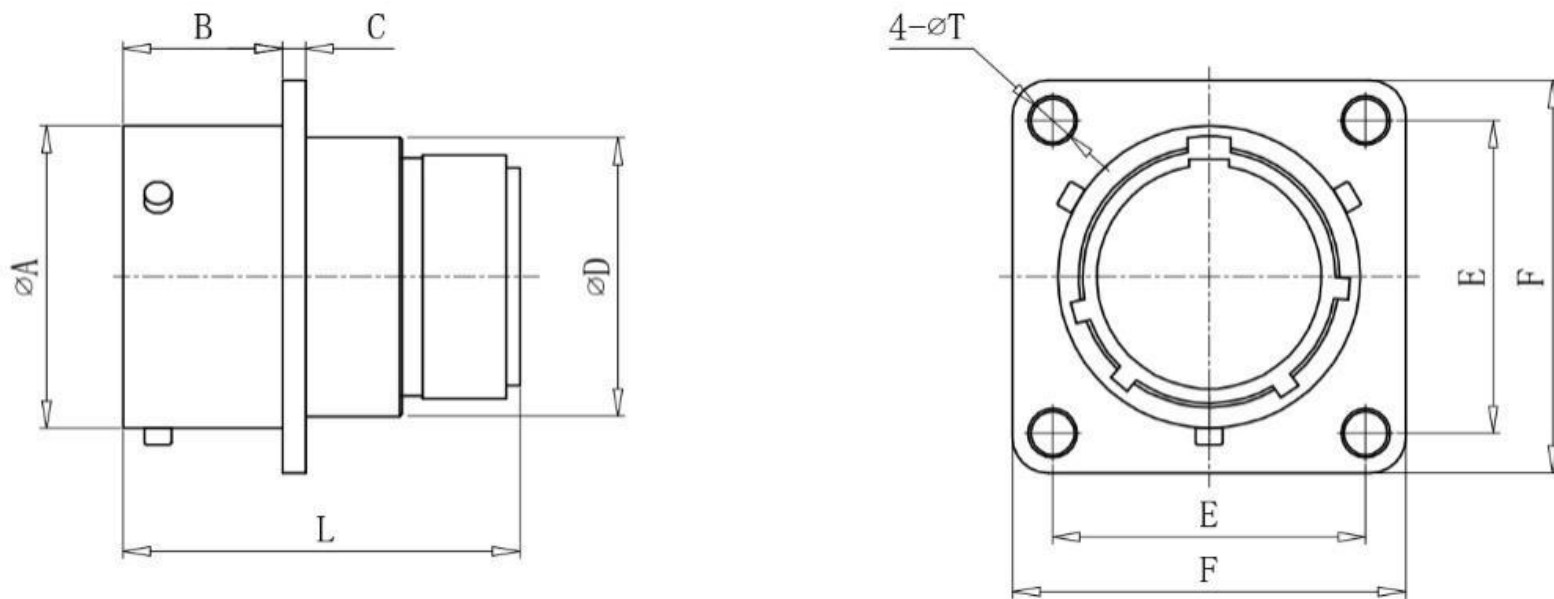
# JY3112 E box flange receptacle



## Cross-Reference & Compatibility

Compatible Brands	Equivalents	Mates
MIL-DTL-26482 Series I	MS3112	MS3116
Amphenol	PT02	PT06,PT08
Array	PW02	PW06,PW08
ITT Cannon	KPT02	KPT06,KPT08
Souriau	85102E-50	85106,85108

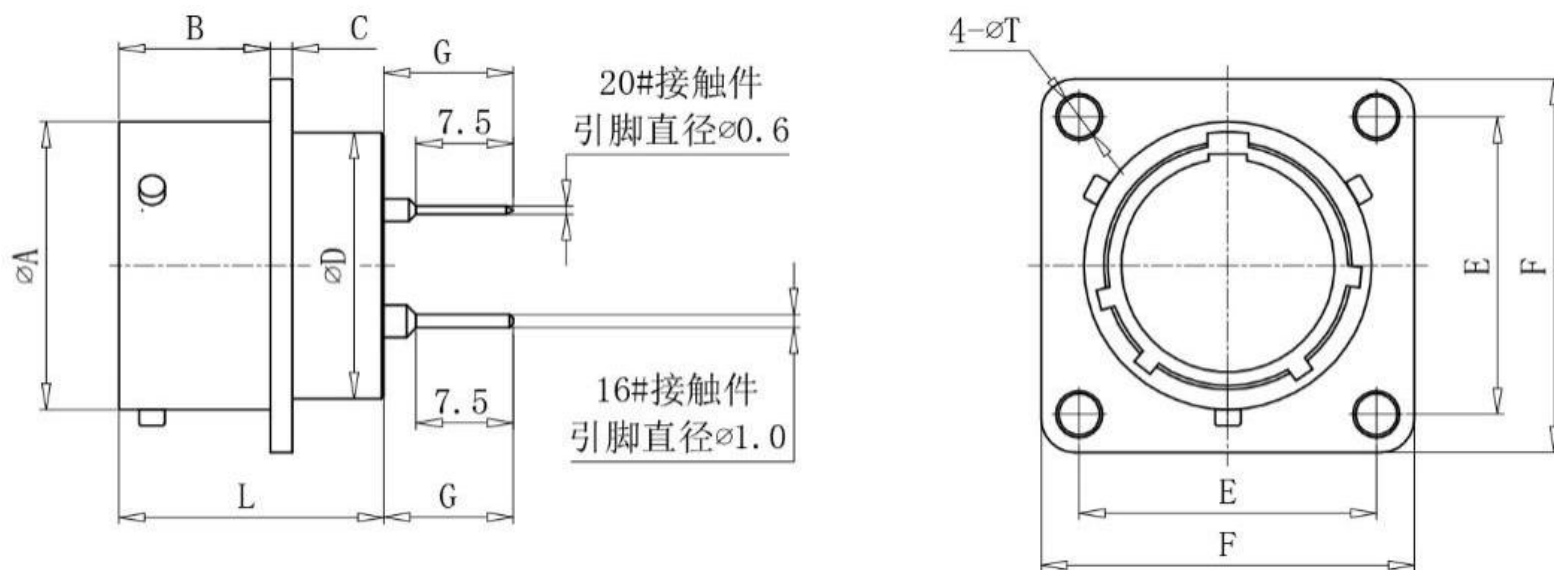
# JY3112E [box flange receptacle E]



## Receptacle Dimensions

Shell no	L	A	B	C	D max	E	F max	T
08	29.2	12.04	11.7	1.7	10.84	15.09	20.99	3.2
10	29.2	15.00	11.7	1.7	13.99	18.26	24.19	3.2
12	29.2	19.07	11.7	1.7	17.37	20.62	26.54	3.2
14	29.2	22.25	11.7	1.7	20.57	23.0	28.89	3.2
16	29.2	25.43	11.7	1.7	23.72	24.61	31.29	3.2
18	29.2	28.60	11.7	1.7	26.69	26.97	33.69	3.2
20	30.8	31.78	14.3	2.2	29.89	29.36	36.89	3.2
22	30.8	34.95	14.3	2.2	33.04	31.75	39.99	3.2
24	30.8	38.13	15.0	2.2	26.24	34.92	43.15	3.8

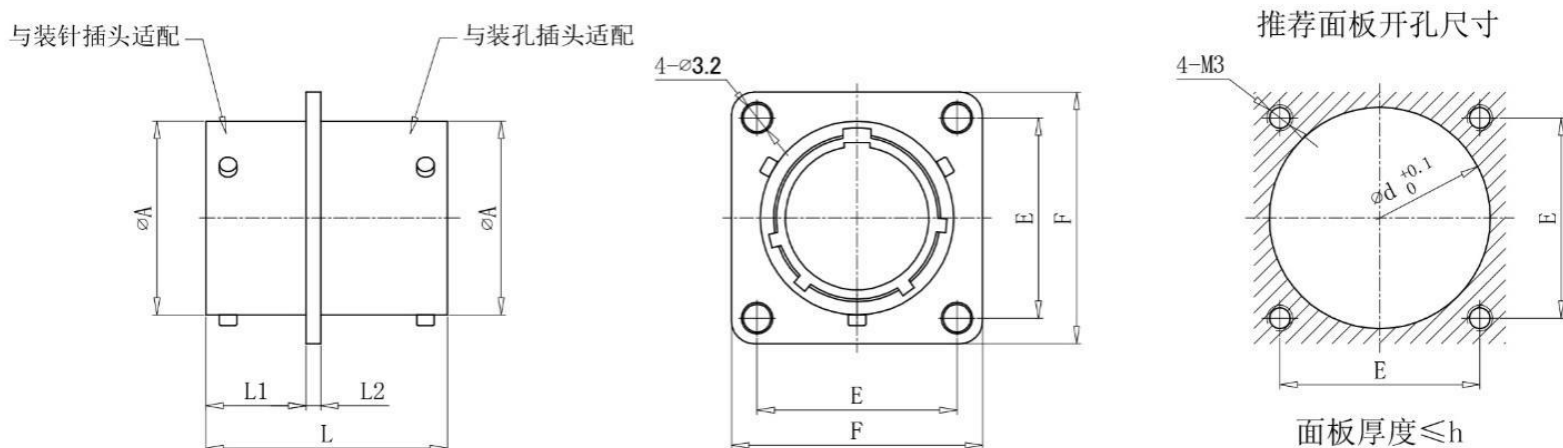
# JY3112B [box flange receptacle B]



## Receptacle Dimensions

Shell no	L	A	B	C	D max	G max	E	F max	T
08	20.5	12.04	11.7	1.7	10.84	10.5	15.09	20.99	3.2
10	20.5	15.00	11.7	1.7	13.99	10.5	18.26	24.19	3.2
12	20.5	19.07	11.7	1.7	17.37	10.5	20.62	26.54	3.2
14	20.5	22.25	11.7	1.7	20.57	10.5	23.0	28.89	3.2
16	20.5	25.43	11.7	1.7	23.72	10.5	24.61	31.29	3.2
18	20.5	28.60	11.7	1.7	26.69	10.5	26.97	33.69	3.2
20	23.3	31.78	14.3	2.2	29.89	8.6	29.36	36.89	3.2
22	23.3	34.95	14.3	2.2	33.04	8.6	31.75	39.99	3.2
24	23.3	38.13	15.0	2.2	26.24	8.6	34.92	43.15	3.8

# JY3112R [box flange receptacle R]



## Receptacle Dimensions

Shell no	A	E	F max	L	L1	L2	d	h
08	12.04	15.09	20.99	27.8	11.5	1.7	14.9	4.0
10	15.00	18.26	24.19	27.8	11.5	1.7	17.7	4.0
12	19.07	20.62	26.54	27.8	11.5	1.7	22.2	4.0
14	22.25	23.00	28.89	27.8	11.5	1.7	25.4	4.0
16	25.43	24.61	31.29	27.8	11.5	1.7	28.5	4.0
18	28.60	26.97	33.69	27.8	11.5	1.7	31.8	4.0
20	31.78	29.36	36.89	31.0	14.1	2.5	34.8	4.7
22	34.95	31.75	39.99	31.0	14.1	2.5	38.1	4.7
24	38.13	34.92	43.15	31.0	14.1	2.5	41.2	2.8

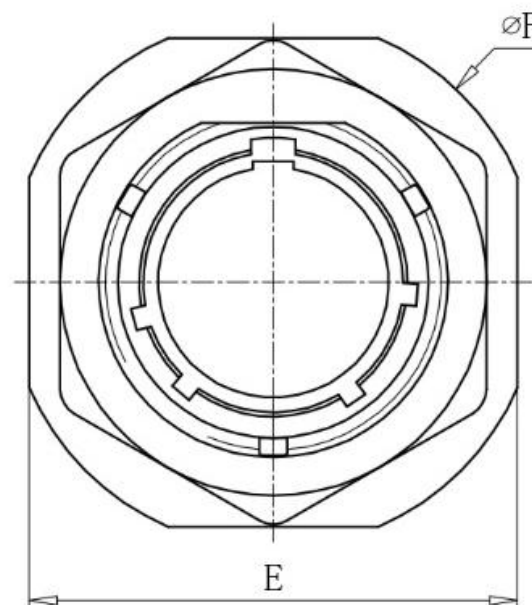
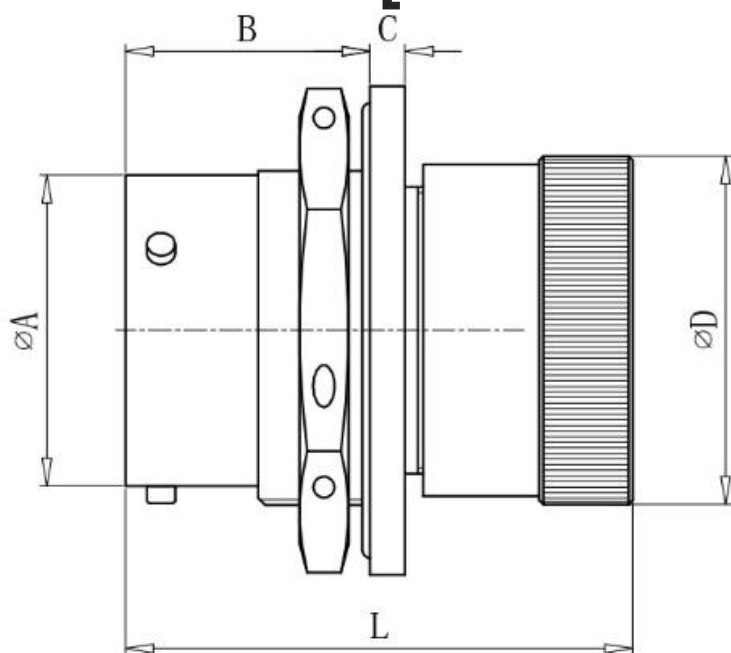
# JY3114 E Jam nut receptacle

- 1
- 1
- R [do not connect the tail accessories]
  - E [Seal grommet, conductive shell]
  - F [Seal grommet, with cableclamp,conductive shell]
  - P [Glue sealing, conductive shell]
  - B [Printing plate type]

## Cross-Reference & Compatibility

Compatible Brands	Equivalents	Mates
MIL-DTL-26482 Series I	MS3114	MS3116
Amphenol	PT07	PT06,PT08
Array	PW07	PW06,PW08
ITT Cannon	KPT07	KPT06,KPT08
Souriau	85107	85106,85108

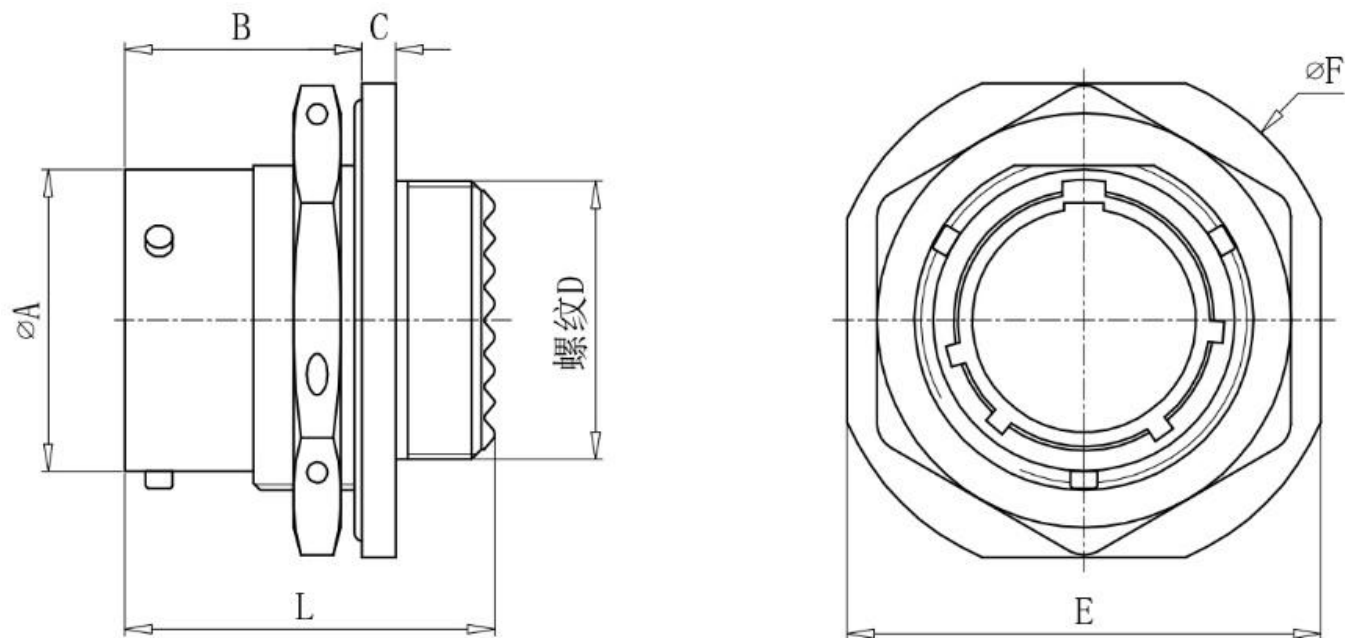
# JY3114E [Jam nut receptacle E]



## Receptacle Dimensions

Shell no	L	A	B	C	D	E	F max
08	36.3	12.04	17.5	2.5	15.5	23.94	26.94
10	36.3	15.00	17.5	2.5	18.7	26.94	30.14
12	36.3	19.07	17.5	2.5	21.7	31.74	34.94
14	36.3	22.25	17.5	2.5	24.9	34.94	38.04
16	36.3	25.43	17.5	2.5	28.2	38.24	41.24
18	36.3	28.60	17.5	2.5	31.2	41.34	44.44
20	41.8	31.78	22.4	3.8	34.6	46.04	49.14
22	41.8	34.95	22.4	3.8	37.6	49.24	52.24
24	41.8	38.13	23.0	3.8	40.9	54.74	55.54

# JY3114R [Jam nut receptacle R]

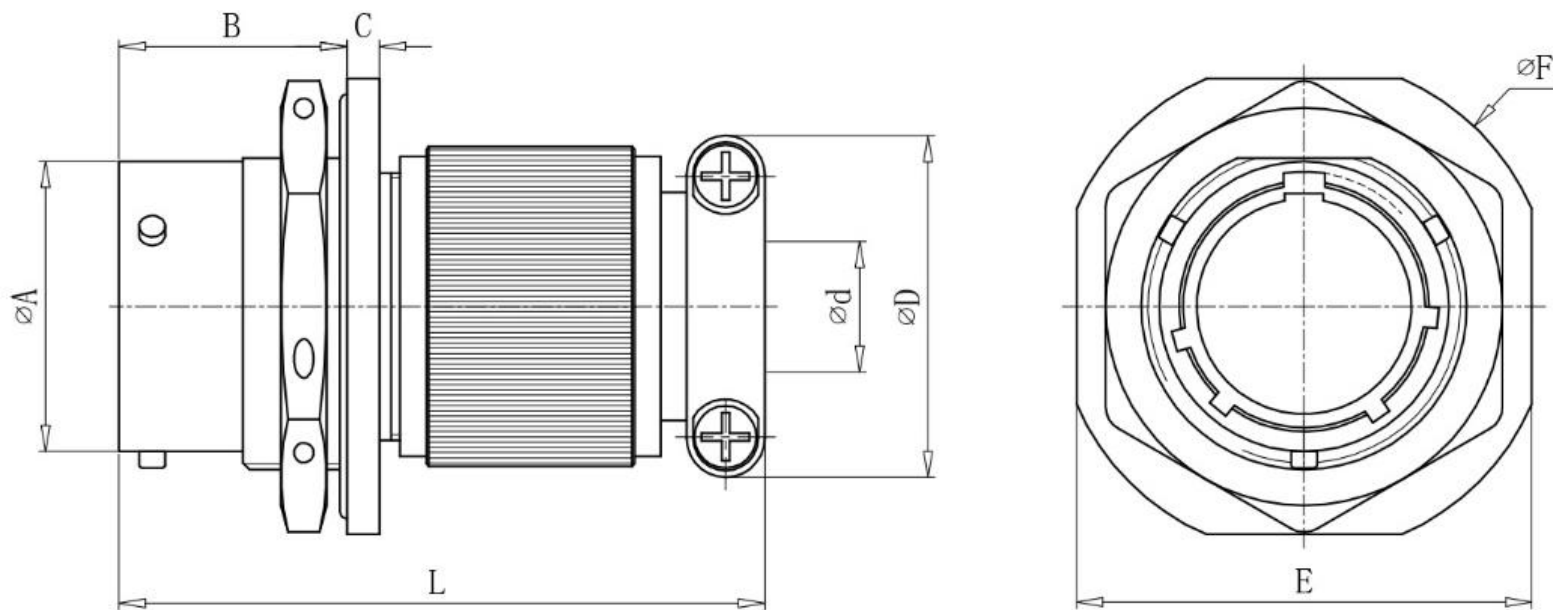


## Receptacle Dimensions

Shell no	L	A	B	C	E	F max	Screw thread DUNEF-2A
08	27.3	12.04	17.5	2.5	23.94	26.94	0.4375-28
10	27.3	15.00	17.5	2.5	26.94	30.14	0.5625-24
12	27.3	19.07	17.5	2.5	31.74	34.94	0.6875-24
14	27.3	22.25	17.5	2.5	34.94	38.04	0.8125-20
16	27.3	25.43	17.5	2.5	38.24	41.24	0.9375-20
18	27.3	28.60	17.5	2.5	41.34	44.44	1.0625-18
20	32.8	31.78	22.4	3.8	46.04	49.14	1.1875-18
22	32.8	34.95	22.4	3.8	49.24	52.24	1.3125-18
24	32.8	38.13	23.0	3.8	54.74	55.54	1.4375-18



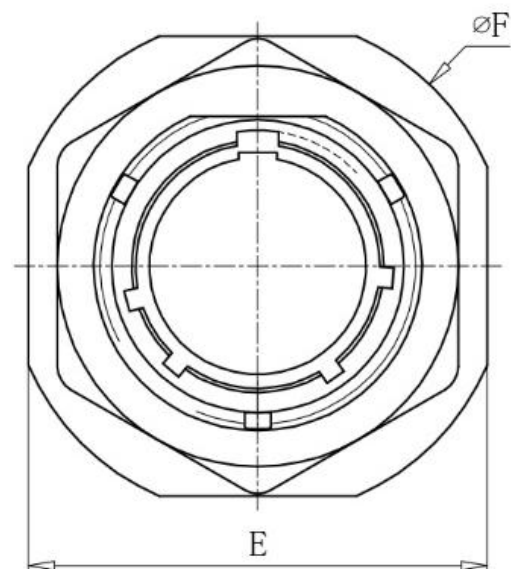
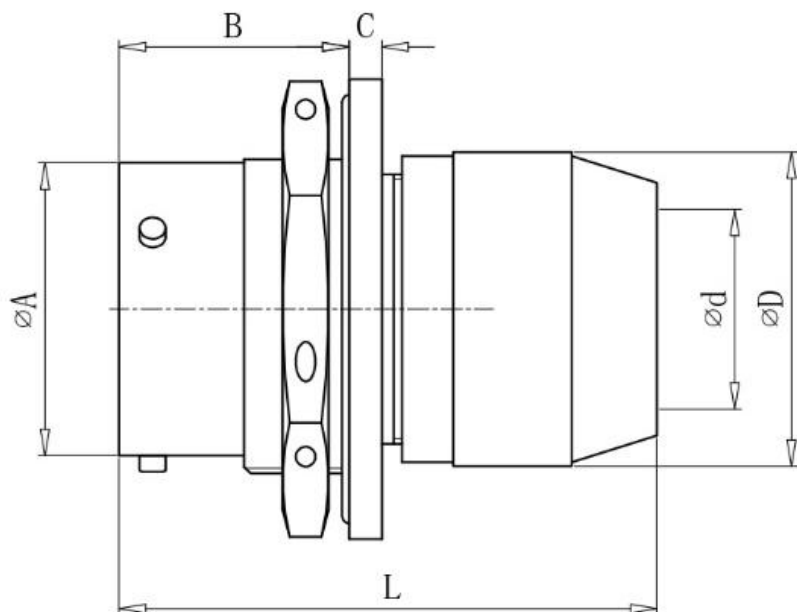
# JY3114F [Jam nut receptacle F]



## Receptacle Dimensions

Shell no	L	A	B	C	D	d max	E	F max
08	49.6	12.04	17.5	2.5	18.2	5.5	23.94	26.94
10	49.6	15.00	17.5	2.5	20.2	8.15	26.94	30.14
12	49.6	19.07	17.5	2.5	23.2	10.0	31.74	34.94
14	49.6	22.25	17.5	2.5	26.2	10.0	34.94	38.04
16	49.6	25.43	17.5	2.5	31.2	13.0	38.24	41.24
18	49.6	28.60	17.5	2.5	34.2	16.0	41.34	44.44
20	55.1	31.78	22.4	3.8	34.2	16.0	46.04	49.14
22	55.1	34.95	22.4	3.8	38.2	19.3	49.24	52.24
24	55.1	38.13	23.0	3.8	41.2	20.6	54.74	55.54

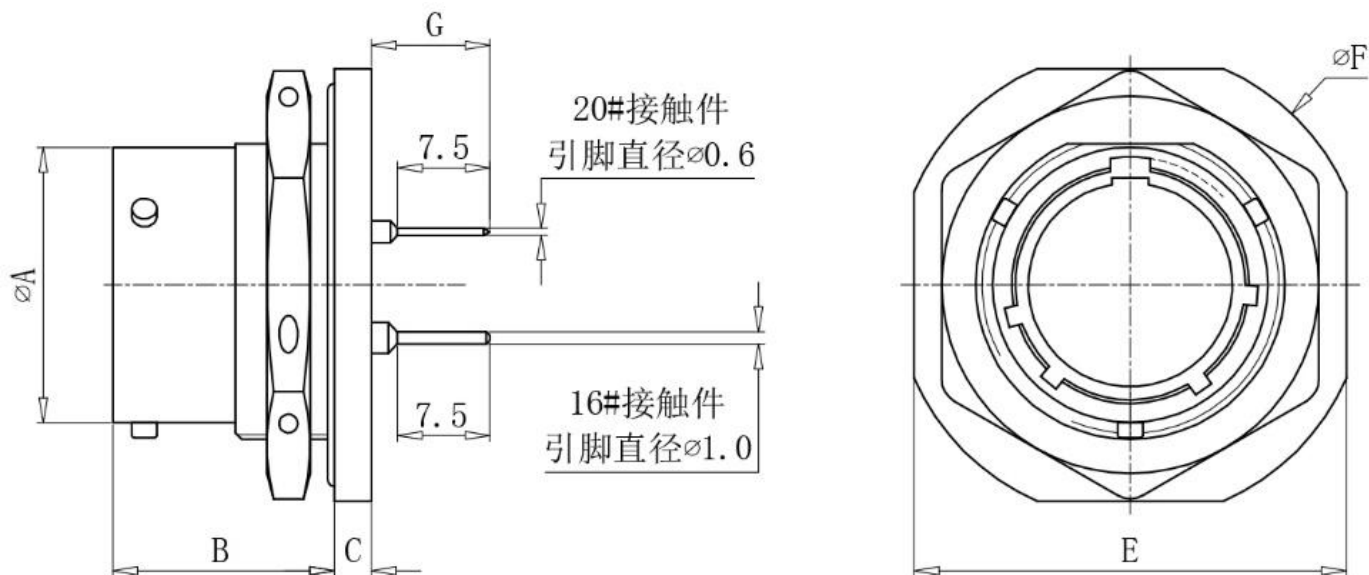
# JY3114P [Jam nut receptacle P]



## Receptacle Dimensions

Shell no	L max	A	B	C	D	d max	E	F max
08	41.8	12.04	17.5	2.5	15.3	10.46	23.94	26.94
10	41.8	15.00	17.5	2.5	17.7	13.55	26.94	30.14
12	41.8	19.07	17.5	2.5	21.7	13.96	31.74	34.94
14	41.8	22.25	17.5	2.5	23.9	17.42	34.94	38.04
16	41.8	25.43	17.5	2.5	27.0	20.56	38.24	41.24
18	41.8	28.60	17.5	2.5	30.5	23.66	41.34	44.44
20	51.9	31.78	22.4	3.8	33.6	23.92	46.04	49.14
22	51.9	34.95	22.4	3.8	37.1	25.52	49.24	52.24
24	52.3	38.13	23.0	3.8	40.0	32.00	54.74	55.54

# JY3114B [Jam nut receptacle B]

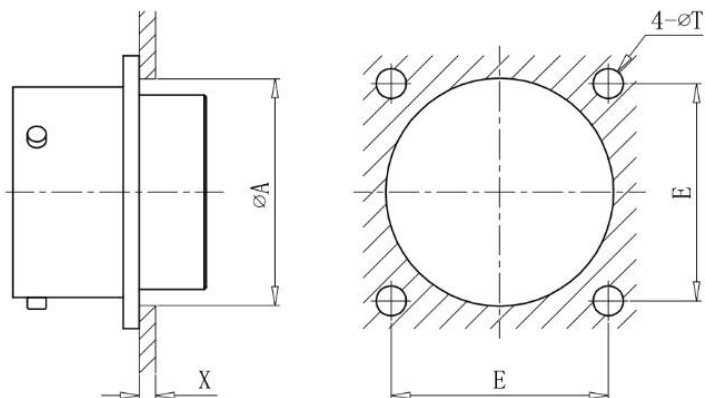


## Receptacle Dimensions

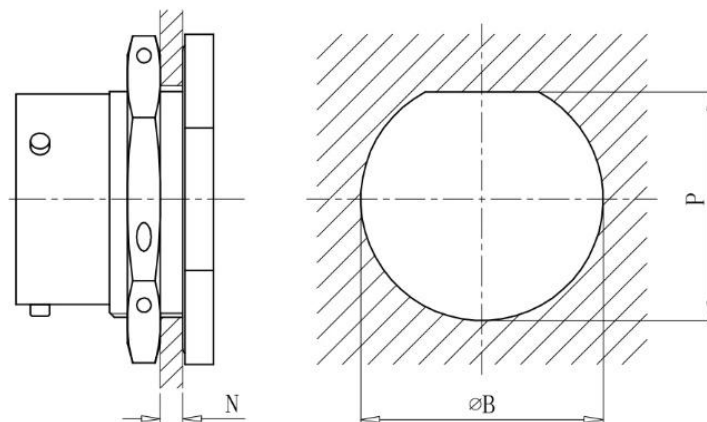
Shell no	A	B	C	G	E	F max
08	12.04	17.9	3.0	9.6	23.94	26.94
10	15.00	17.9	3.0	9.6	26.94	30.14
12	19.07	17.9	3.0	9.6	31.74	34.94
14	22.25	17.9	3.0	9.6	34.94	38.04
16	25.43	17.9	3.0	9.6	38.24	41.24
18	28.60	17.9	3.0	9.6	41.34	44.44
20	31.78	20.4	3.3	8.4	46.04	49.14
22	34.95	20.4	3.3	8.4	49.24	52.24
24	38.13	20.9	3.3	7.9	54.74	55.54

# Hole dimension for receptacle

方盘安装插座



螺母紧固安装插座



## Receptacle Dimensions

Shell no	A	E	T	X max	B	P	N
08	15.55	15.09	3.2	2.9	14.60	13.75	1.8~5.7
10	18.80	18.26	3.2	2.9	17.75	16.95	1.8~5.7
12	22.15	20.62	3.2	2.9	22.50	21.50	1.8~5.7
14	25.30	23.00	3.2	2.9	25.70	24.20	1.8~5.7
16	28.45	24.61	3.2	2.9	28.85	27.35	1.8~5.7
18	31.65	26.97	3.2	2.9	32.05	30.55	1.8~5.7
20	34.80	29.36	3.2	5.5	35.20	33.70	1.8~8.6
22	38.00	31.75	3.2	5.5	38.40	36.90	1.8~9.6
24	41.20	34.92	3.8	5.5	41.55	40.05	1.8~9.5