

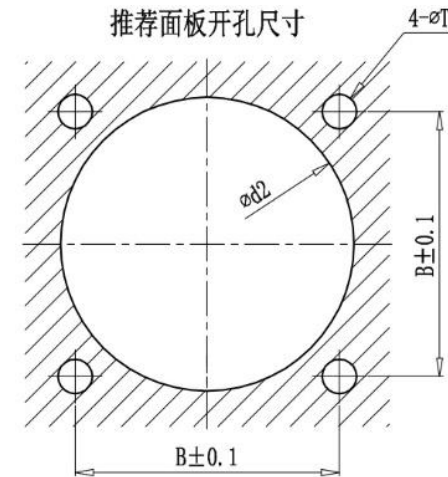
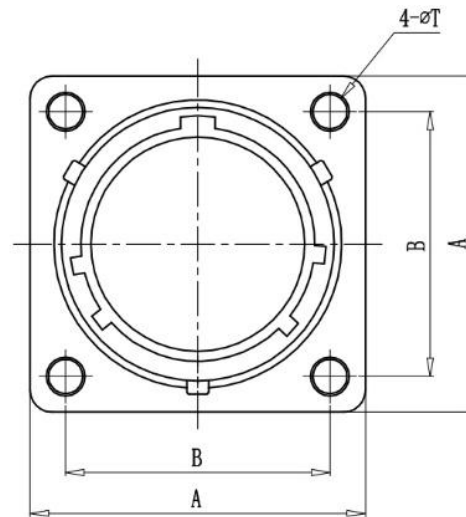
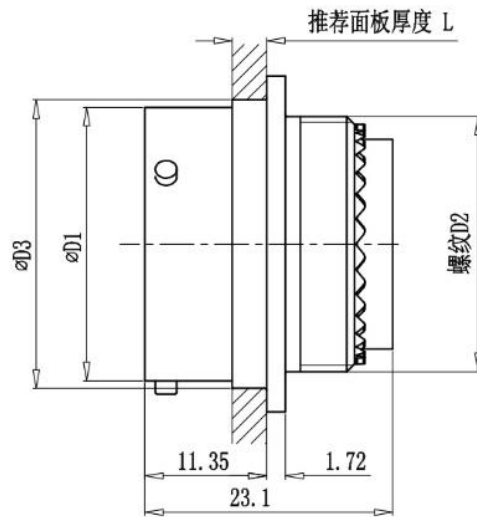
MS27497 wall flange receptacle, rear

Cross-Reference & Compatibility



| Compatible Brands | Equivalen ts | Mates |
|-------------------------|--------------|-----------------|
| MIL-DTL-38999 Series II | MS27497 | MS27473,MS27484 |
| Aero / Conesys | AE297 | AE273, AE284 |
| Amphenol | JTPQ00 | JT06, JTG06 |
| ITT Cannon | KJ3 | KJ6,KJG6, |
| Souriau | 8T3 | 8T6 |

Receptacle Dimensions



| Shell size | D1 | Screw thread D2 UNEF-2A | D3 | L max | A | B | T | d1 | d2 |
|------------|-------|----------------------------|-------|-------|-------|-------|-----|------|------|
| 08 | 12.00 | 0.4375-28 | 13.20 | 2.0 | 21.00 | 15.09 | 3.2 | 12.5 | 14.2 |
| 10 | 15.00 | 0.5625-24 | 16.14 | 2.0 | 24.10 | 18.26 | 3.2 | 15.5 | 17.5 |
| 12 | 19.05 | 0.6875-24 | 20.50 | 2.0 | 26.50 | 20.62 | 3.2 | 19.5 | 21.3 |
| 14 | 22.23 | 0.8125-20 | 23.60 | 2.0 | 28.90 | 23.01 | 3.2 | 21.5 | 25.0 |
| 16 | 25.40 | 0.9375-20 | 26.80 | 2.0 | 31.21 | 24.61 | 3.2 | 25.0 | 27.3 |
| 18 | 28.58 | 1.0625-18 | 30.00 | 2.0 | 33.60 | 26.97 | 3.2 | 28.0 | 31.3 |
| 20 | 31.75 | 1.1875-18 | 33.20 | 2.5 | 36.80 | 29.36 | 3.2 | 31.5 | 34.5 |
| 22 | 34.93 | 1.3125-18 | 36.35 | 2.5 | 40.00 | 31.75 | 3.2 | 34.5 | 37.5 |
| 24 | 38.10 | 1.4375-18 | 39.50 | 2.5 | 43.10 | 34.93 | 3.9 | 37.5 | 40.6 |