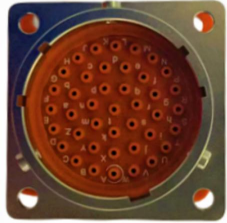


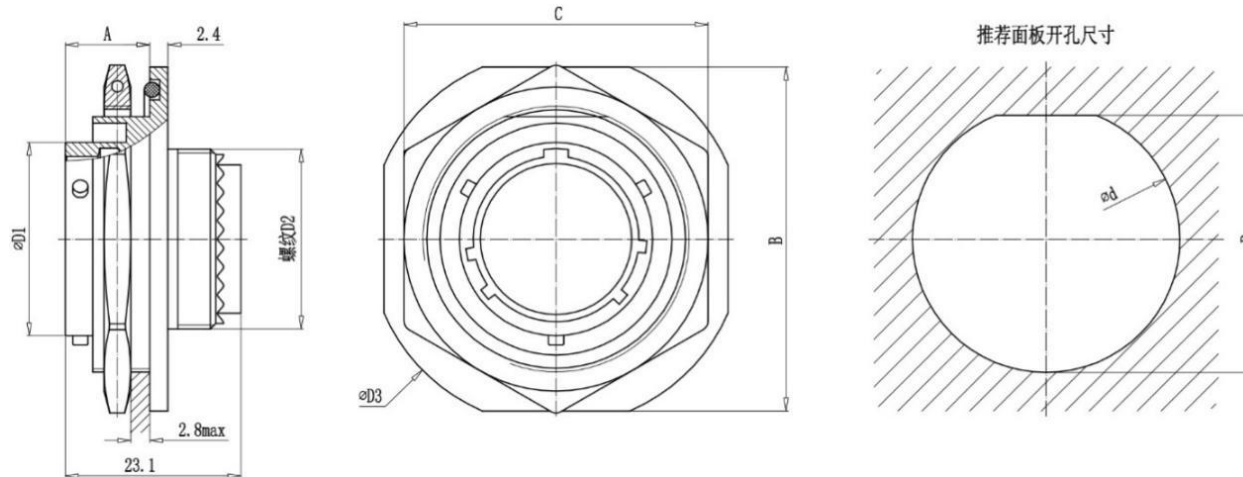
MS27474 Jam nut receptacle

Cross-Reference & Compatibility



Compatible Brands	Equivalen ts	Mates
MIL-DTL-38999 Series II	MS27474	MS27473,MS27484
Aero / Conesys	AE274	AE273, AE284
Amphenol	JT07	JT06, JTG06
ITT Cannon	KJ7	KJ6,KJG6,
Souriau	8T7	8T6

Receptacle Dimensions



Shellsize	D1	Screw thread D2 UNEF-2A	D3	B	A	C	d	P
08	12.00	0.4375-28	34.95	31.75	11.1	27.9	22.46	21.08
10	15.00	0.5625-24	38.10	34.95	11.1	30.5	25.58	24.26
12	19.05	0.6875-24	41.28	38.10	11.1	33.6	28.80	27.53
14	22.23	0.8125-20	44.45	41.28	11.1	36.8	32.01	30.73
16	25.40	0.9375-20	49.23	45.24	11.1	40.0	35.15	33.86
18	28.58	1.0625-18	51.21	48.00	11.1	43.2	38.28	37.06
20	31.75	1.1875-18	54.38	51.21	11.8	46.3	41.50	40.03
22	34.93	1.3125-18	57.53	54.36	11.8	51.0	44.68	43.21
24	38.10	1.4375-18	60.71	57.53	11.8	54.4	47.85	46.38