

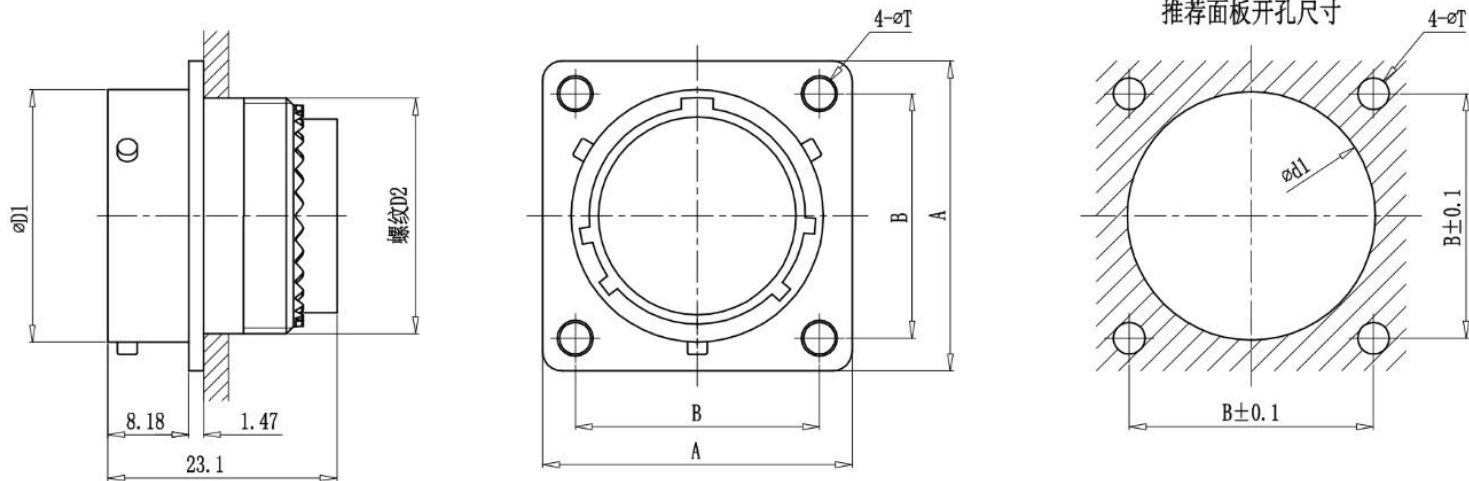
# MS27472 wall flange receptacle, front

## Cross-Reference & Compatibility



Compatible Brands	Equivalen ts	Mates
MIL-DTL-38999 Series II	MS27472	MS27473,MS27484
Aero / Conesys	AE273, AE284	AE208, AE213, AE272, AE274, AE297, AE299
Amphenol	JT06, JTG06	JT00, JTPQ00, JT01, JT02, JTP02, JT07
ITT Cannon	KJ6, KJG6	KJ0, KJ2, KJ3, KJ5, KJ7
Souriau	8T6	8T1, 8T2, 8L3, 8T7

## Receptacle Dimensions



Shellsize	D1	Screw thread D2 UNEF-2A	D3	L max	A	B	T	d1	d2
08	12.00	0.4375-28	13.20	2.0	21.00	15.09	3.2	12.5	14.2
10	15.00	0.5625-24	16.14	2.0	24.10	18.26	3.2	15.5	17.5
12	19.05	0.6875-24	20.50	2.0	26.50	20.62	3.2	19.5	21.3
14	22.23	0.8125-20	23.60	2.0	28.90	23.01	3.2	21.5	25.0
16	25.40	0.9375-20	26.80	2.0	31.21	24.61	3.2	25.0	27.3
18	28.58	1.0625-18	30.00	2.0	33.60	26.97	3.2	28.0	31.3
20	31.75	1.1875-18	33.20	2.5	36.80	29.36	3.2	31.5	34.5
22	34.93	1.3125-18	36.35	2.5	40.00	31.75	3.2	34.5	37.5
24	38.10	1.4375-18	39.50	2.5	43.10	34.93	3.9	37.5	40.6